



## AUTOMATIC COFFEE APPLIANCE MACHINE A CAFÉ AUTOMATIQUE

# TANGO ST SOLO

### 1XX HABILLAGE

100	TANGO ST SOLO
110	COTES MACHINE
111	ENSEMBLE CHARIOT - BASSINE - PIED
112	ENSEMBLE DEVANT, TIROIR A MARC
113	ENSEMBLE BEC & PORTILLON
114	CHAUFFE TASSES ST
120	CALANDRE TANGO ST
130	ENSEMBLE TRÉMIES
132	DESSUS TRÉMIES SOLO ST
135	BOITE DK

### 2XX SORTIES EXTÉRIEURES

201	ENSEMBLE TUBE & EV SORTIE VAPEUR
221	SORTIE VAPEUR PTFE
232	SORTIE VAPEUR RÉGLABLE
241	SORTIE STEAMAIR V+
251	ENSEMBLE TUBE & EV SORTIE EAU CHAUDE
260	SORTIE EAU CHAUDE
270	SORTIE EAU CHAUDE RÉGLABLE

### 3XX HYDRAULIQUE

301	CIRCUIT HYDRAULIQUE 1 GR
310	SÉCURITÉ MANQUE D'EAU
320	POMPES 100L-200L
330	BLOC DOSEUR 1GR
340	CHAUDIÈRE VAPEUR-CAFÉ STANDARD
345	CHAUDIÈRE INTERNE 1GR
360	SYSTÈME DE NETTOYAGE
361	BLOC NETTOYAGE & VIDANGE
362	ÉLECTROVANNE DE NETTOYAGE
370	GOULOTTE D'ÉVACUATION

### 4XX CIRCUIT CAFÉ

400	MOULIN
410	ENTONNOIR
415	ENSEMBLE NETTOYEUR
420	GROUPE CAFÉ SANS PISTON (1P)
425	PISTON COMPLET

### MACHINE CASING

TANGO ST SOLO
SET SIDES & LIGHT DIFFUSER
SET TROLLEY, OVERFLOW TRAY & FEET
SET WASTE DRAWER, FRONT CASING
SET SPOUT & DOORS
CUP WARMER ASSEMBLED
FRONT PANEL TANGO ST
HOPPER UNIT
TOP HOPPER UNIT SOLO ST
DK BOX

### EXTERNAL OUPUT

SET TUBE & EV STEAM OUTLET
PTFE STEAM OUTLET
ADJUSTABLE STEAM OUTLET
STEAMAIR V+ OUTLET
SET PIPE & EV HOT WATER OUTLET
HOT WATER OUTLET
ADJUSTABLE HOT WATER OUTLET

### HYDRAULIC CIRCUIT

1 UNIT HYDRAULIC CIRCUIT
NO WATER SAFETY
100L-200L PUMPS
1 UNIT DOSING DEVICE
STANDARD STEAM-COFFEE BOILER
1 UNIT INTERNAL BOILER
CLEANING SYSTEM
CLEANING DEVICE & DRAIN
CLEANING ELECTROVALVES
DRAIN CHUTE

### COFFEE SYSTEM

GRINDER
FUNNEL
CLEANNING DEVICE
COFFEE UNIT WITHOUT PISTON (1P)
PISTON DEVICE

430 MOTEUR PLATEAU + SÉCURITÉ TIROIR  
435 EV BEC

*TURNTABLE MOTOR + DRAWER SAFETY  
SPOUT EV*

**5XX ÉLECTRONIQUE**

500 PLATINE CARTES ÉLECTRONIQUES  
501 CONNECTEURS CARTE MÈRE  
502 FUSIBLES CARTE MÈRE  
510 COMPOSANTS ÉLECTRIQUES 1 GR  
550 LISTE DES CÂBLES

***ELECTRONIC SYSTEM***

*PANEL ELECTRONIC CARDS  
MOTHERBOARD CONNECTORS  
FUSES CONNECTORS  
1 UNIT ELECTRICAL COMPONENTS  
ELECTRICAL WIRES LISTING*

**6XX OPTION/KIT**

600 OPTION POMPE LAIT «VUE D'ENSEMBLE»  
601 OPTION POMPE LAIT «BEC & BLOC LAIT»  
602 OPTION POMPE LAIT «EV»  
603 OPTION POMPE LAIT «CHAUDIÈRE 1 GR»  
605 OPTION POMPE LAIT «BLOC POMPE LAIT»  
607 MODULE FRIGO CARROSSERIE  
611 OPTION BLOC CAPPUCCINO  
612 OPTION BLOC CAPPUCCINO «EV NETTOYAGES»  
613 OPTION BLOC CAPPUCCINO «CHAUDIÈRE 1 GR»  
620 MITIGEUR EAU CHAUDE  
630 BEC DÉPORTÉ POUR POT  
640 OPTION POMPE LAIT «VUE D'ENSEMBLE»  
641 OPTION POMPE LAIT «BEC & BLOC LAIT»  
642 OPTION POMPE LAIT «BLOC POMPE LAIT»  
643 CARROSSERIE MODULE FRIGO FG16  
650 CHAUFFE TASSES SANS BOITE DK  
690 PIÈCES D'INSTALLATION ET ENTRETIEN  
691 KIT OUTILLAGE TECHNICIEN 99006

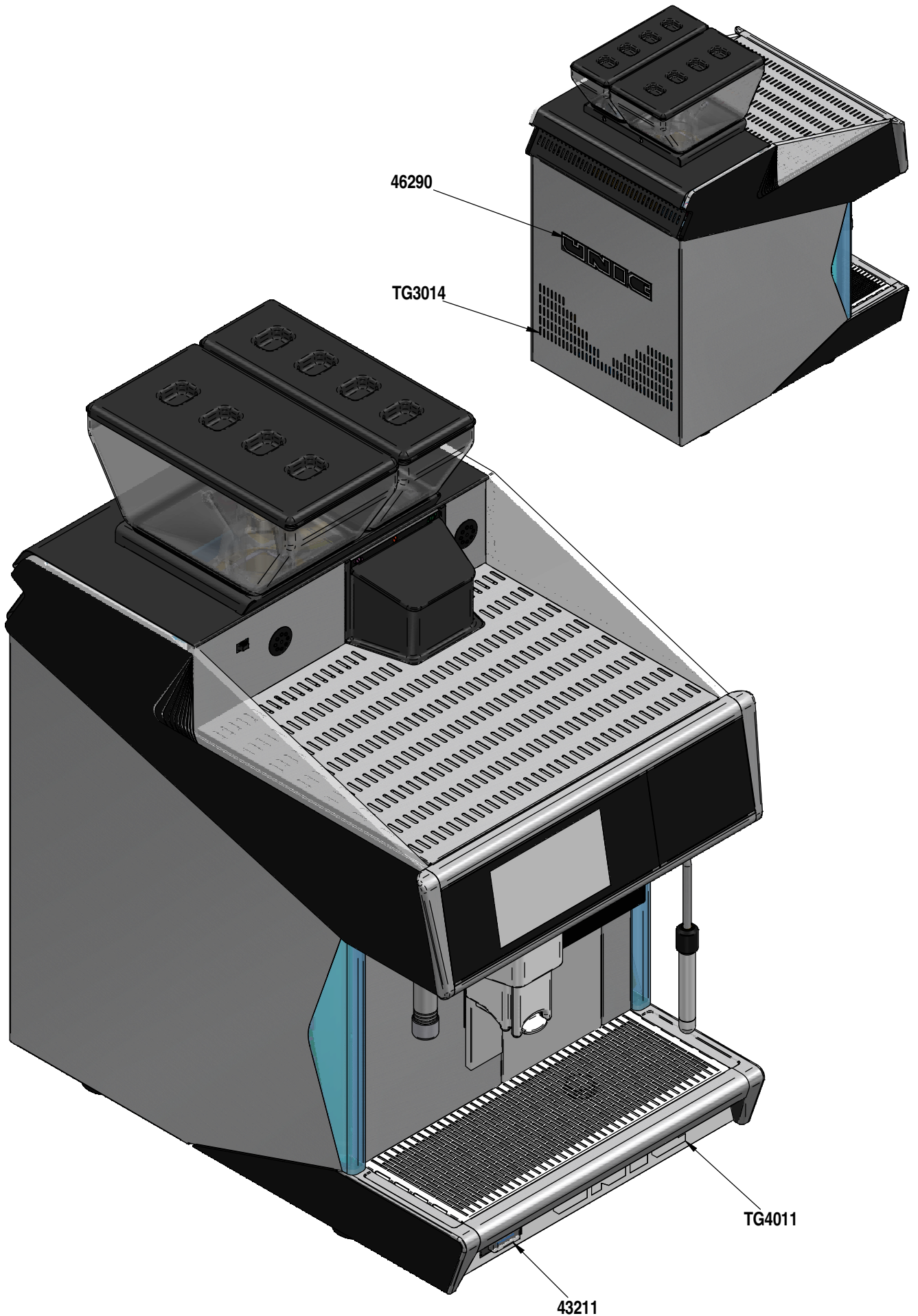
***OPTION/KIT***

*«OVERVIEW» MILK PUMP KIT  
«SPOUT & MILK BLOCK» MILK PUMP KIT  
«EV» MILK PUMP KIT  
«1 UNIT BOILER» MILK PUMP KIT  
«MILK PUMP BLOCK» MILK PUMP KIT  
BODY OF FRIGDE MODULE  
CAPPUCCINO DEVICE  
«CLEANING EV» CAPPUCCINO DEVICE  
«1 UNIT BOILER» CAPPUCCINO DEVICE  
MIXED HOT WATER  
SPOUT DEPORTED FOR JAR  
OVERVIEW MILK PUMP KIT  
SPOUT & MILK BLOCK MILK PUMP KIT  
MILK PUMP BLOCK MILK PUMP KIT  
ABODY OF FG16 FRIDGE MODULE  
CUP WARMER WITHOUT DK BOX  
INSTALLATION & MAINTENANCE PARTS  
TECHNICIAN TOOLS KIT 99006*



## PLANCHE - PLATE 100

<b>REF</b>	<b>ELUX</b>	<b>DESIGNATIONS FR</b>	<b>DESIGNATIONS GB</b>
46290		AUTOCOLLANT UNIC NOIR	STICKER UNIC BLACK
43211		DISJONCTEUR	CIRCUIT BREAKER
TG3014		CHEMISE AR SOLO INOX	REAR CASING SOLO INOX
TG4011		BANDEAU PLEXI BASSINE TANGO SOLO	STRIP TANGO SOLO



## PLANCHE - PLATE 110

<b>REF</b>	<b>ELUX</b>	<b>DESIGNATIONS FR</b>	<b>DESIGNATIONS GB</b>
50106		VIS TCHc M4 x 6	SCREW M4 X 6
CN-325		VIS INOX TC 4 x 6	SCREW M4 X 6
CN-343		RONDELLE EVENTAIL 4	WASHER 4
PE-59		VIS TCHC M4x10 INOX	SCREW 4 X 10
PG-14		ECROU M4	NUT M4
TG1000		COTE GAUCHE TANGO MONTE	COMPLET LEFT SIDE TANGO
TG1001		COTE DROIT TANGO MONTE	COMPLET RIGHT SIDE TANGO
TG2009		SUPPORT LED	LED HOLDER
TG3000		COTE SUPERIEUR PLEXI G	HIGH LEFT SIDE
TG3001		COTE SUPERIEUR PLEXI D	HIGH RIGHT SIDE
TG3020		COTE GAUCHE	LEFT SIDE
TG3021		COTE DROIT	RIGHT SIDE
TG4008		TETON M4X5	NUT M4X5
TG7006		DIFFUSEUR COTE	LIGHT DIFFUSER
TG8003		LED RGB SEUL	ONLY RGB LED

PENSER A DEGRAISSER CETTE SURFACE DE LA PIECE TG3020/TG3021 AVEC DE L'ALCOOL À BRÛLER OU EQUIVALENT, AVANT LE COLLAGE DE LA PIECE PLEXI  
 THINK DEGREASING AREA OF THE PART TG3020/TG3021 WITH ALCOHOL OR EQUIVALENT BEFORE STICKING THE PLEXIGLASS PART.

TG1000  
TG1001

TG3000  
TG3001

TG3020  
TG3021

B

A

PE-59

PG-14

CN-343

CN 325

TG4008

50106

TG7006

TG8003

TG2009

DETAIL B

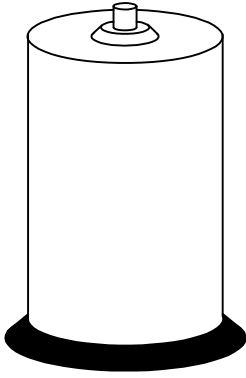
DETAIL A

 Loctite 262

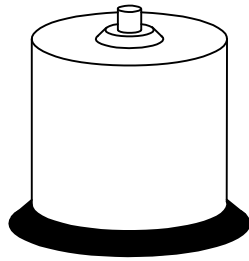
## PLANCHE - PLATE 111

<b>REF</b>	<b>ELUX</b>	<b>DESIGNATIONS FR</b>	<b>DESIGNATIONS GB</b>
45939		ADHESIF PIED MACHINE	STICKER FOOT
50204		VIS TH M5 x 10 INOX	SCREW M5 X 10
50402		VIS TCHC TETE BASSE M8X16 INOX	S.STEEL SCREW M8 X 16
51100		ECROU M5 INOX	NUT M5
51150		ECROU NYLSTOP M6	NUT NYLSTOP M6
DV4030		PIED ALU H30	FOOT H30
NM-002		PIED CAOUTCHOUC NOIR	FOOT
NM-1068		KIT 4 PIEDS ALU H30	HIGH FEET KIT
NM-1069		KIT 4 PIEDS ALU H44,5	HIGH FEET KIT
NM-1076		KIT 4 PIEDS ALU H74,5	HIGH FEET KIT
NM-176		PIED ALU POUR MACHINE NSF	FOOT FOR NSF MACHINE
NM-236		PIED ALU D50 H44.5	FOOT H44.5
NZ7024		PATIN PIED ARRIERE	REAR RUBBER FOOT
RB4002		RONDELLE EPAULEE	WASHER
TG1005		KIT CHARIOT BASSINE DUO	TROLLEY OVERFLOW TRAY KIT FOR DUO
TG1006		KIT CHARIOT BASSINE SOLO	TROLLEY OVERFLOW TRAY KIT FOR SOLO
TG2000		BASSINE TANGO DUO	DUO OVERFLOW TRAY
TG2001		GRILLE DE BASSINE DUO	DUO OVERFLOW TRAY GRID
TG2002		DEVANT DE BASSINE DUO	FRONT OVERFLOW TRAY
TG2004		RONDELLE TOLE	SHEET METAL WASHER
TG2011		BASSINE SOLO	SOLO OVERFLOW TRAY
TG2012		DEVANT DE BASSINE SOLO	SOLO FRONT OVERFLOW TRAY
TG2014		GRILLE DE BASSINE SOLO	SOLO OVERFLOW TRAY GRID
TG4000		ENJOLIVEUR JOUE DE BASSINE G	LEFT ORNAMENTAL OVERFLOW TRAY
TG4002		ENJOLIVEUR JOUE DE BASSINE D	RIGHT ORNAMENTAL OVERFLOW TRAY
TG4005		AXE JOUE DE BASSINE	AXLE
TG4006		BAGUE EPAULEE	PLASTIC RING
TG7000		JOUE DE BASSINE GAUCHE	LEFT ORNAMENTAL HOLDER
TG7002		JOUE DE BASSINE DROITE	RIGHT ORNAMENTAL HOLDER

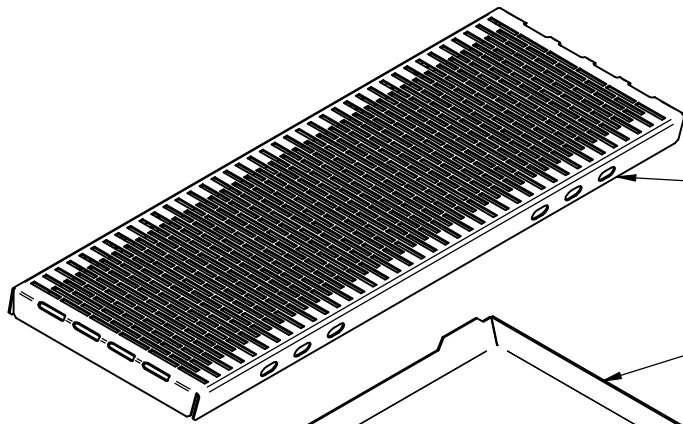
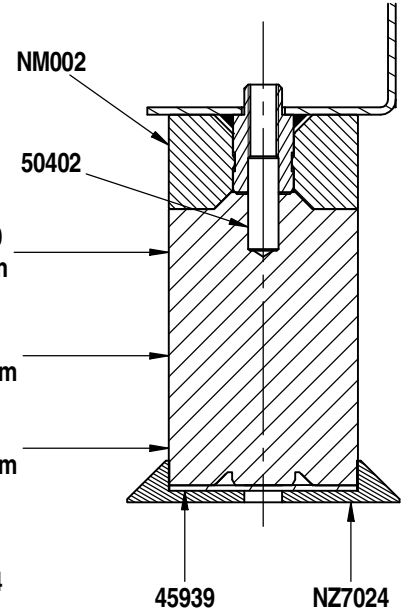
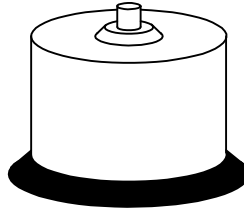
KIT PIED ALU H74.5  
REF: NM1076



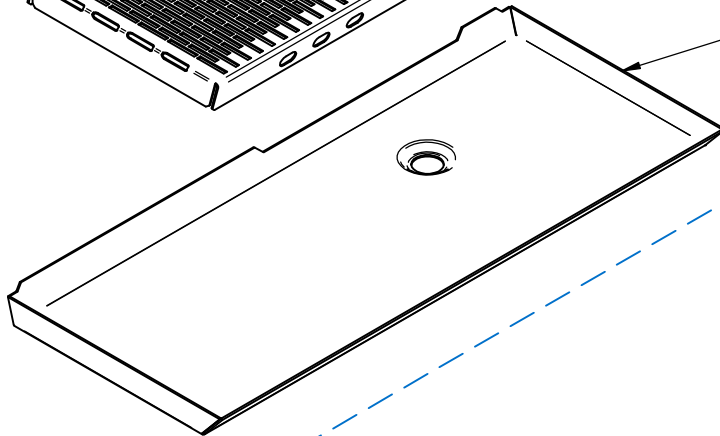
KIT PIED ALU H44.5  
REF: NM1069



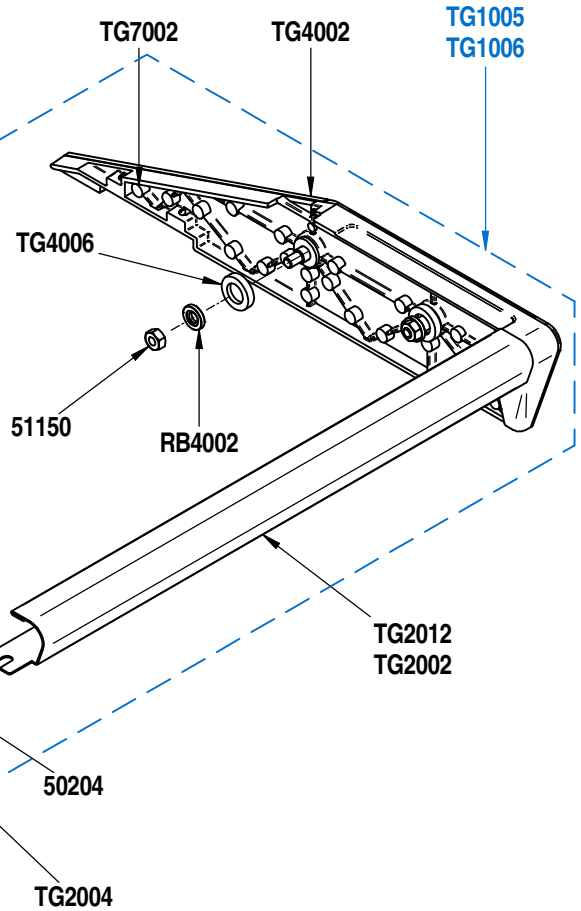
KIT PIED ALU H30  
REF: NM1068



TG2014  
TG2001



TG2011  
TG2000



TG7000

TG4005

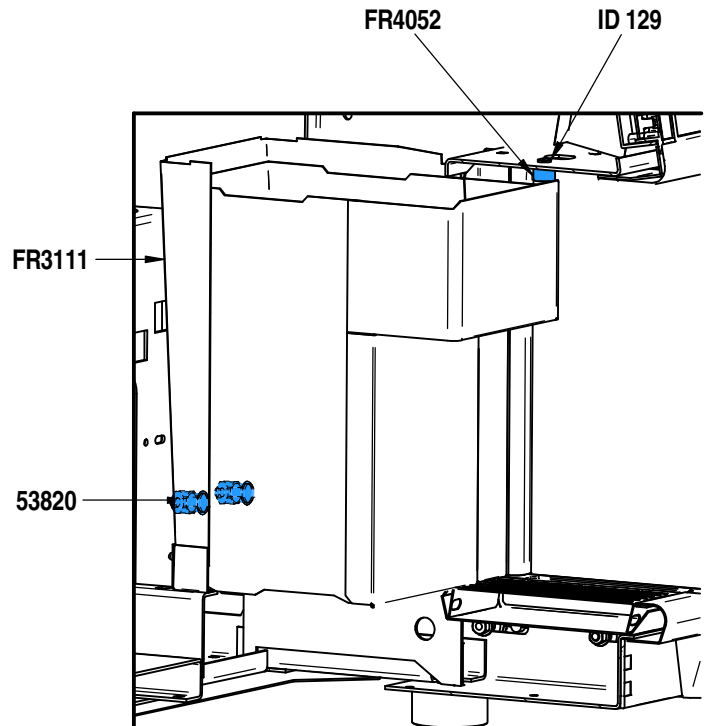
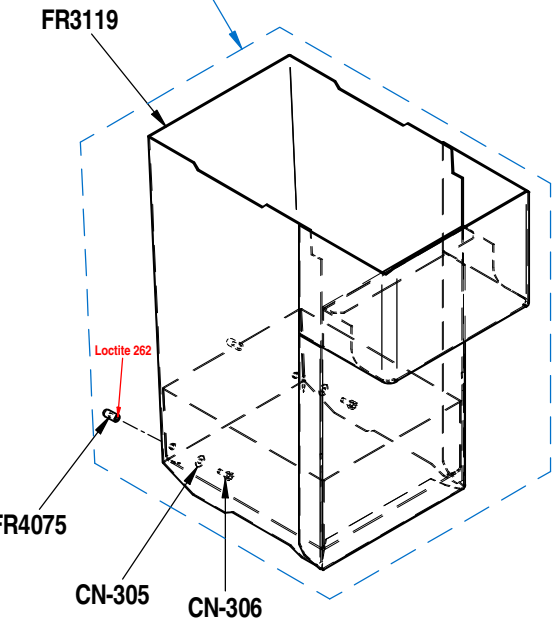
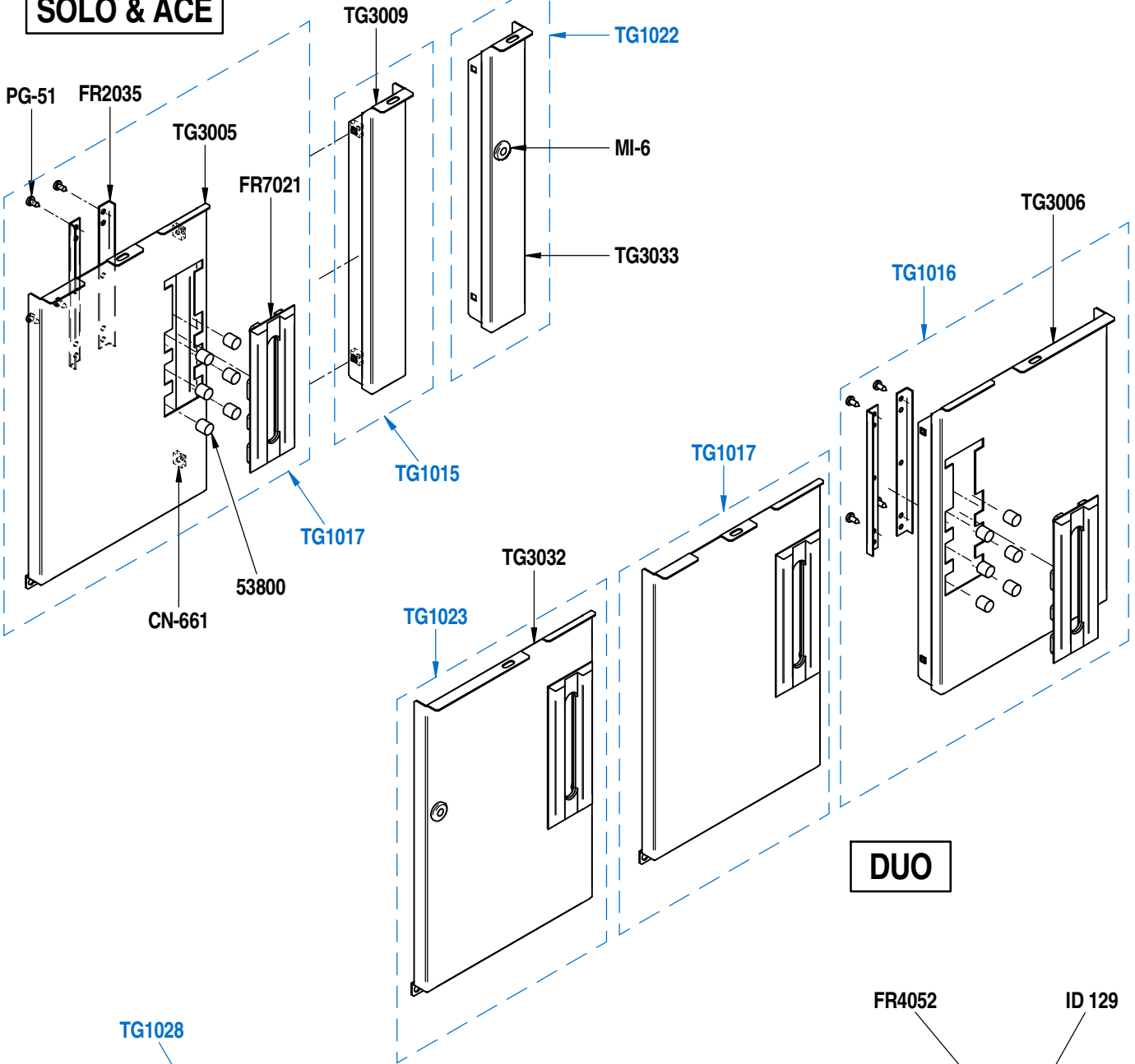
TG4000

51100

## PLANCHE - PLATE 112

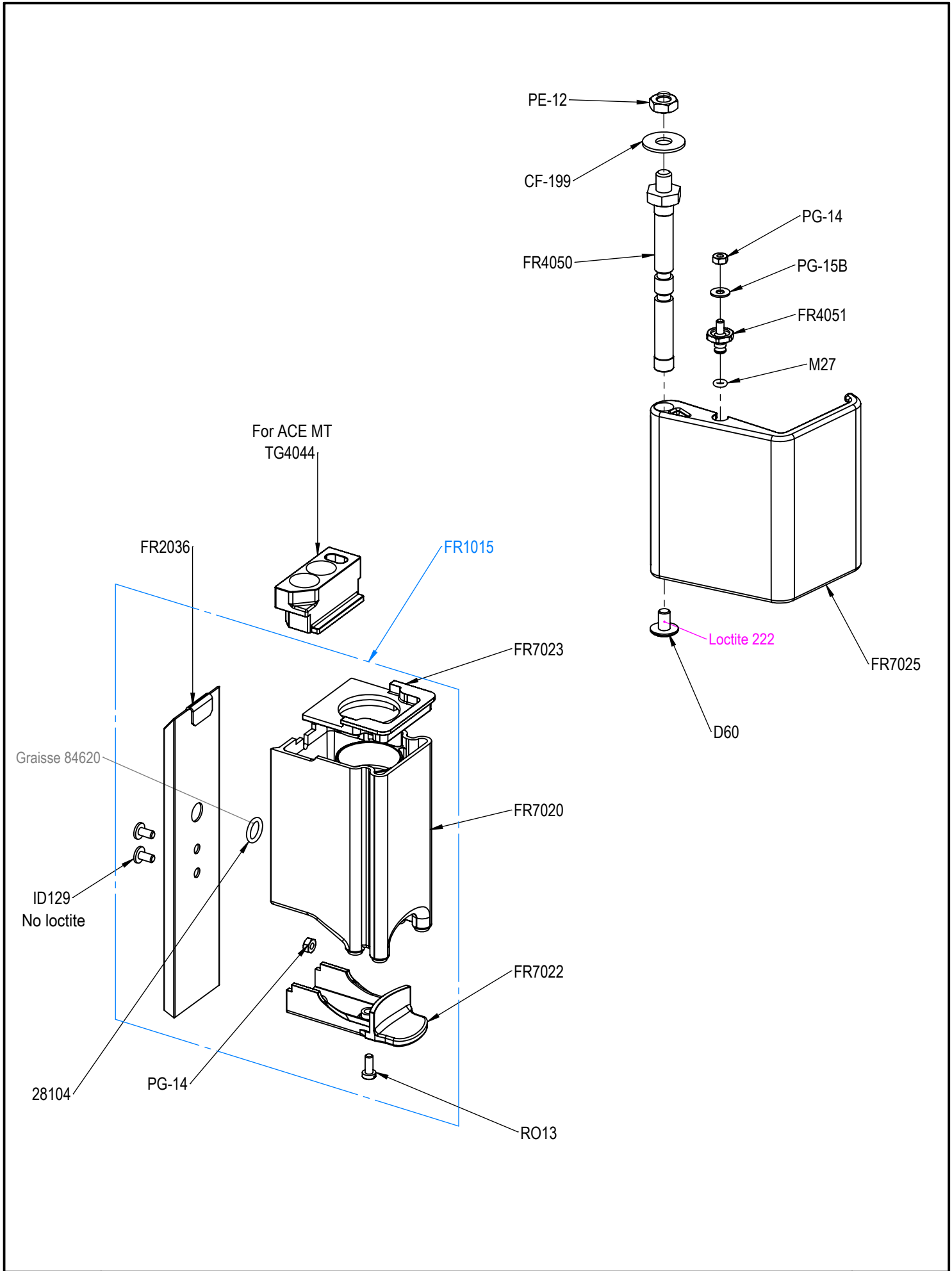
REF	ELUX	DESIGNATIONS FR	<i>DESIGNATIONS GB</i>
53800		AIMANT DIAM. 10 X 10	<i>MAGNET 10 X 10</i>
53820		AIMANT BAC A MARC	<i>MAGNET</i>
CN-305		RONDELLE EN LAITON M3	<i>BRASS RING M3</i>
CN-306		VIS INOX TCHC 3 x 8	<i>SCREW M3 X 8</i>
CN-661		ECROU CAGE M4, EP 1/1.6	<i>INSERT NUT M4</i>
FR2035		BRIDE BEC CAFE	<i>COFFEE SPOUT HOLDER</i>
FR3111		TOLE PORTE CENTRALE	<i>CENTER DOOR</i>
FR3119		BAC A MARC ENSEMBLE TOLES	<i>WASTE DRAWER</i>
FR4052		BUTEE DE BAC A MARC	<i>THRUST</i>
FR4075	OUN130	TETON	<i>PIN</i>
FR7021		PLAQUE AVANT	<i>FRONT PART</i>
ID-129		VIS INOX POELIER VM 4 X 8	<i>SCREW 4 X 8</i>
MI-6		PASSE FIL	<i>GROMMET</i>
PG-51		VIS TOLE TC Ac Zn 3,9 X 9,5	<i>SHEET SCREW 3,9 x 9,5</i>
TG1015		ENSEMBLE DEVANT DROIT SOLO	<i>SOLO RIGHT FRONT</i>
TG1016		ENSEMBLE DEVANT DROIT DUO	<i>DUO RIGHT FRONT</i>
TG1017		ENSEMBLE DEVANT GAUCHE	<i>STANDARD LEFT FRONT</i>
TG1022		DEVANT DROIT SOLO STEAMAIR	<i>SOLO RIGHT STEAMAIR FRONT</i>
TG1023		DEVANT GAUCHE STEAMAIR	<i>LEFT STEAMAIR FRONT</i>
TG1028		BAC A MARC COMPLET	<i>WASTE DRAWER</i>
TG3005		DEVANT GAUCHE	<i>LEFT FRONT PANEL</i>
TG3006		DEVANT DROIT	<i>RIGHT FRONT PANEL</i>
TG3009		DEVANT DROIT SOLO	<i>RIGHT FRONT PANEL SOLO</i>
TG3032		DEVANT GAUCHE STEAMAIR	<i>STEAMAIR LEFT FRONT PANEL</i>
TG3033		DEVANT DROIT SOLO STEAMAIR	<i>STEAMAIR SOLO RIGHT FRONT PANEL</i>

**SOLO & ACE**



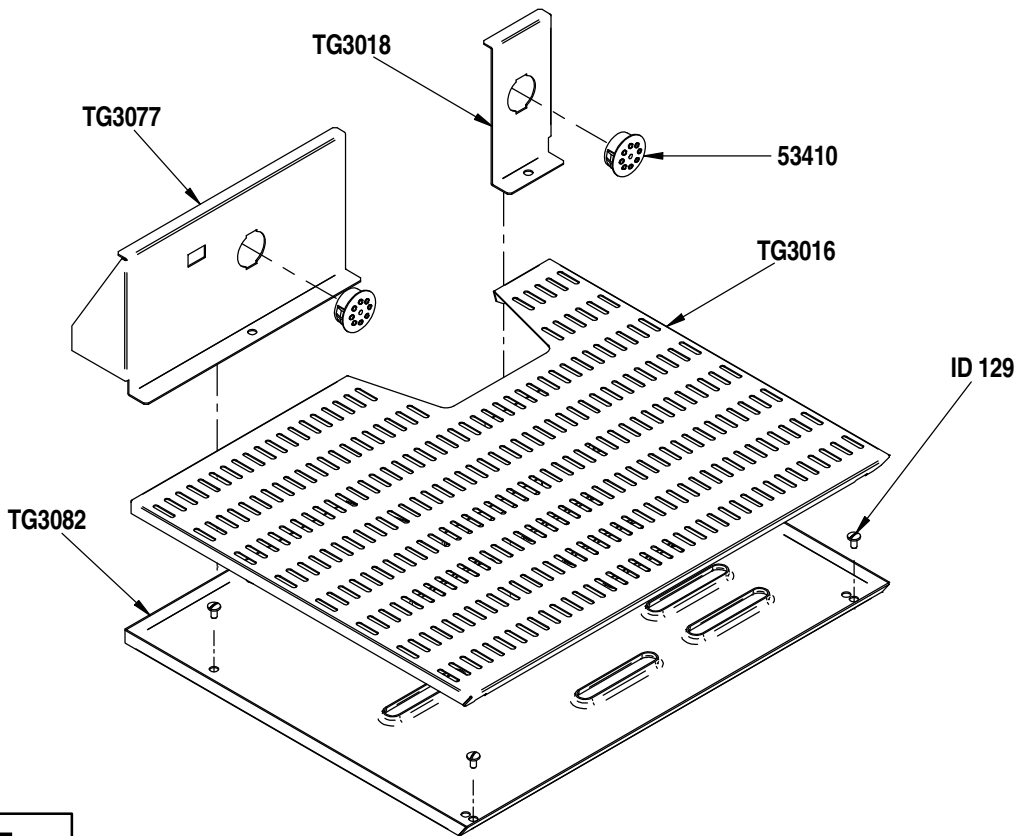
## PLANCHE - PLATE 113

<b>REF</b>	<b>ELUX</b>	<b>DESIGNATIONS FR</b>	<b>DESIGNATIONS GB</b>
28104	0UN146	JOINT TORIQUE 2X9,5 FKM 80SH	GASKET 2X9,5
CF-199		RONDELLE ACIER ZN 8x22x1,5	STEEL WASHER 8x22x1,5
D-60		VIS POELIER M6x10 INOX	SCREW 6X10
FR1015		BEC A CAFE SORTIE CAFE	COFFEE SPOUT
FR2036		TOLE PLAQUE GUIDE	PLATE SHEET
FR4050		AXE DE PORTILLON	AXLE
FR4051		BUTEE PORTILLON	SCREW DOOR
FR7020		BEC CAFE	COFFEE SPOUT
FR7022		LANGUETTE BEC	SPOUT HANDING
FR7023		ANTI VAPEUR	ANTI STEAM
FR7025		PORTILLON	DOOR
ID-129		VIS INOX POELIER VM 4 X 8	SCREW 4 X 8
M-27		JOINT TORIQUE 1.90X3.40 EPDM	GASKET 1.90 X 3.40
PE-12		ECROU M8	NUT M8
PG-14		ECROU M4	NUT M4
PG-15B		RONDELLE INOX 4.2X10X0.8	WASHER
RO-13		VIS INOX TC 4 x 10	SCREW M4 X 10 -
TG4044		CONNECTEUR MELANGEUR	MIXER FITTING



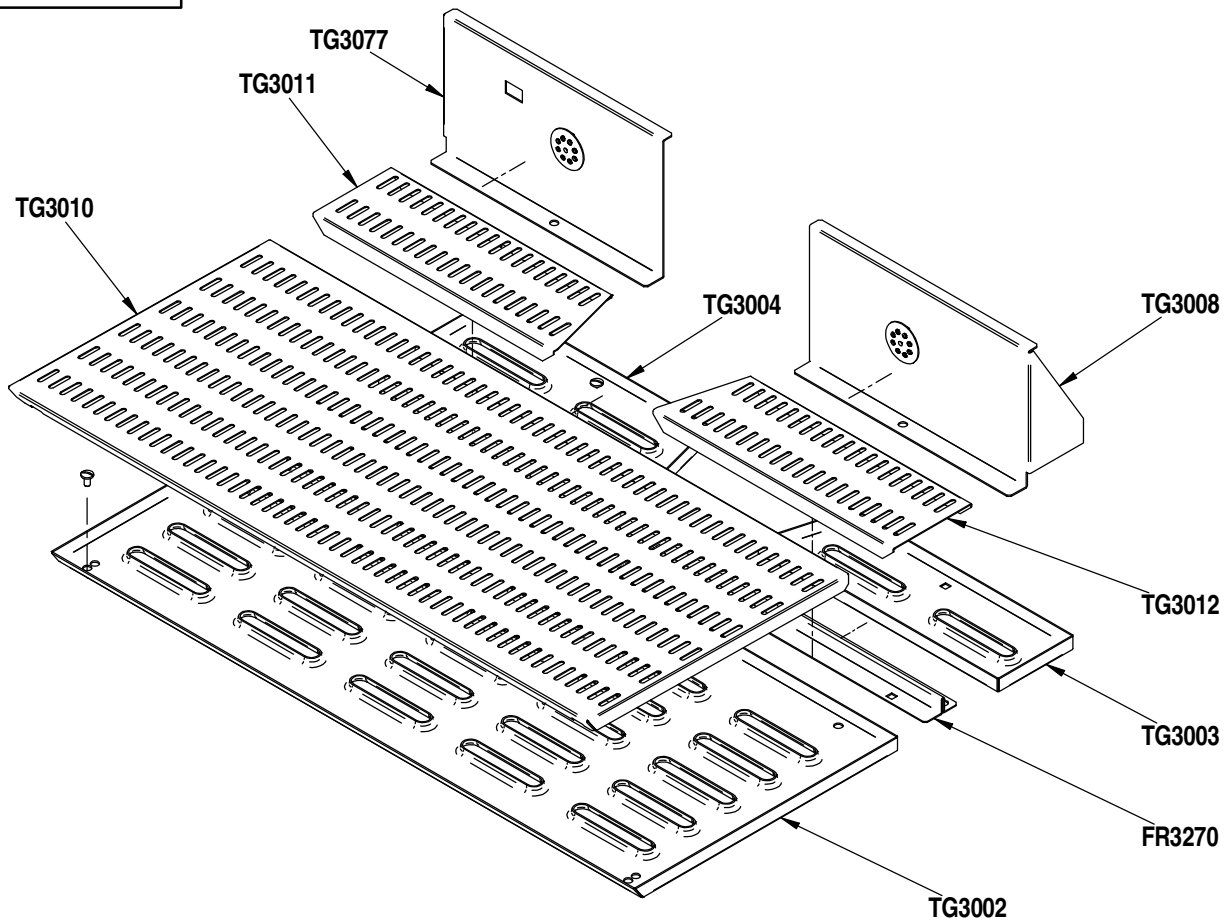
## PLANCHE - PLATE 114

<b>REF</b>	<b>ELUX</b>	<b>DESIGNATIONS FR</b>	<b>DESIGNATIONS GB</b>
53410		BOUCHON MOULIN DIA:25	<i>PLUG GRINDER</i>
FR3270		TRAVERSE CHAUFFE TASSES	<i>CUP WARMER CROSS PIECE</i>
ID-129		VIS INOX POELIER VM 4 X 8	<i>SCREW 4 X 8</i>
TG3002		CHAUFFE TASSES AV DUO	<i>DUO FRONT CUP WARMER</i>
TG3003		CHAUFFE TASSES AR DROIT	<i>RIGHT BACK CUP WARMER</i>
TG3004		CHAUFFE TASSES AR GAUCHE	<i>LEFT BACK CUP WARMER</i>
TG3008		PAROI LATERALE DROITE	<i>RIGHT WALL</i>
TG3010		VERRIERE CHAUFFE TASSES AV	<i>FRONT CUP RACK</i>
TG3011		VERRIERE AR GAUCHE	<i>LEFT BACK CUP RACK</i>
TG3012		VERRIERE AR DROITE	<i>RIGHT BACK CUP RACK</i>
TG3016		VERRIERE SOLO	<i>SOLO CUP RACK</i>
TG3018		PAROI LATERALE DROITE SOLO	<i>SOLO RIGHT WALL</i>
TG3082		CHAUFFE TASSES SOLO ST SOUDE	<i>CUP WARMER FOR SOLO ST</i>
TG3077		PAROI LATERALE GAUCHE ST	<i>LEFT WALL ST</i>



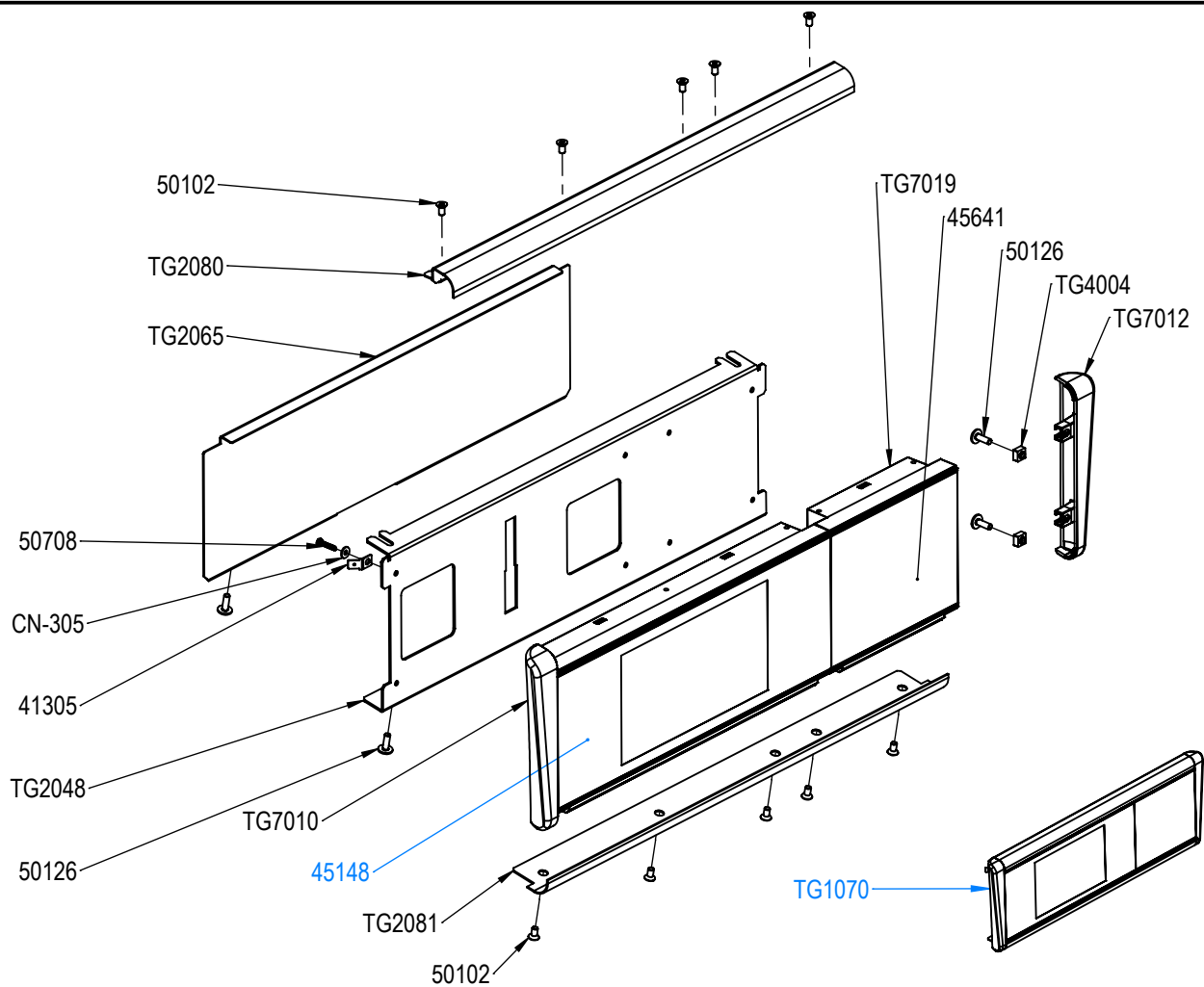
**SOLO ST**

**DUO ST**



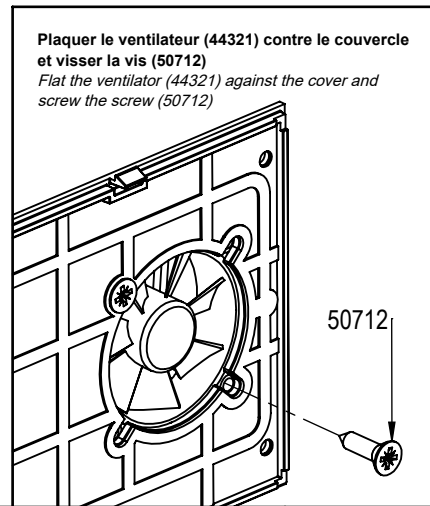
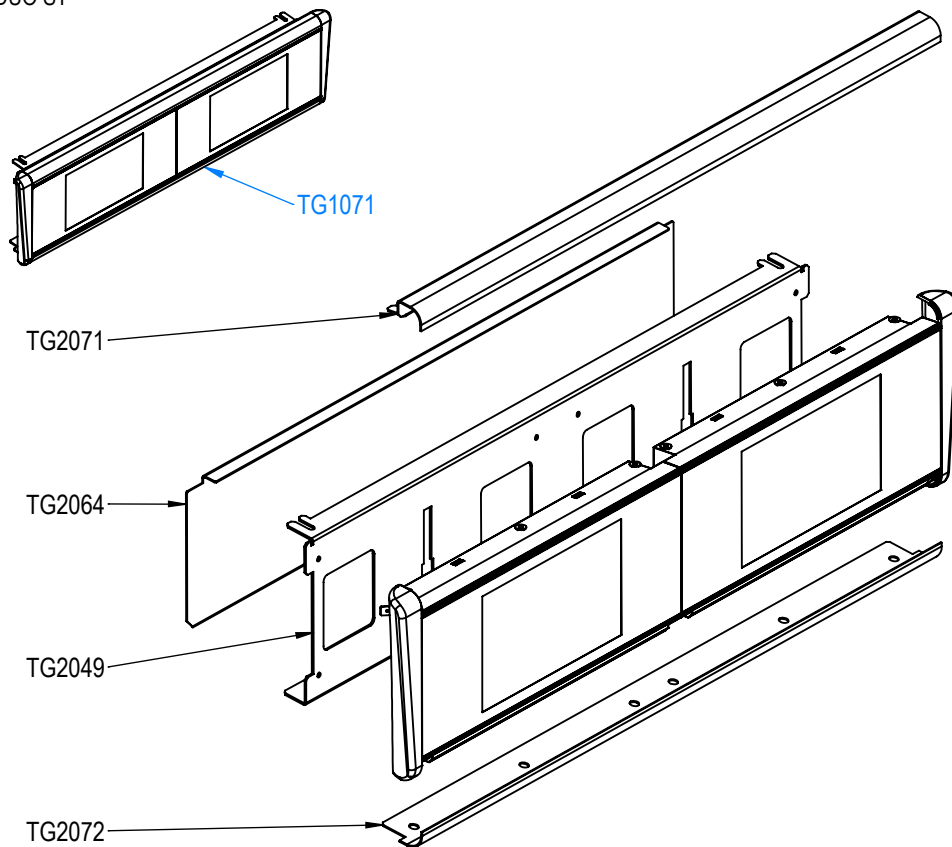
## PLANCHE - PLATE 120

<b>REF</b>	<b>ELUX</b>	<b>DESIGNATIONS FR</b>	<b>DESIGNATIONS GB</b>
41305		FASTON MALE A VISSER	MALE FASTON PIN
44321		VENTILATEUR CABLE AVEC CONNECTEUR	FAN WITH WIRE
45148		BOITIER BTX TANGO ST	BTX ELECTRONIC BOX TANGO ST
45641		PAVE VERRE SERIGRAPHIE DROIT SOLO	GLASS SCREEN PRINTING RIGHT SOLO
50102		VIS AUTOFORMEUSE TF M4 X 8	SCREW M4 X 8
50126		VIS TB CRUCIFORME A EMBASE M4 x 12	CRUCIFORM SCREW M4 x 12
50708		VIS AUTOFORMEUSE 3X14	SCREW 3X14
50712		VIS CRUCIFORME 4.8 x 13	SCREW 4.8 X 13
CN-305		RONDELLE EN LAITON M3	BRASS RING M3
TG1070		KIT CALANDRE SOLO ST	FRONT PANEL SOLO ST KIT
TG1071		KIT CALANDRE DUO ST	FRONT PANEL DUO ST KIT
TG2048		SUPPORT CALANDRE SOLO	FRONT PANEL HOLDER SOLO
TG2049		SUPPORT CALANDRE DUO	FRONT PANEL HOLDER DUO
TG2064		TOLE PARE CHALEUR 2GR	2 UNITS AGAINST HEAT SHEET
TG2065		TOLE PARE CHALEUR 1GR	1 UNIT AGAINST HEAT SHEET
TG2071		DESSUS DE CALANDRE DUO ST	TOP OF FRONT PANEL DUO ST
TG2072		DESSOUS DE CALANDRE DUO ST	BOTTOM OF FRONT PANEL DUO ST
TG2080		DESSUS DE CALANDRE SOLO ST	TOP OF FRONT PANEL SOLO ST
TG2081		DESSOUS DE CALANDRE SOLO ST	BOTTOM OF FRONT PANEL SOLO ST
TG4004		ECROU INSERT	INSERT NUT
TG7010		OREILLE GAUCHE	LEFT ORNAMENTAL FRONT PANEL
TG7012		OREILLE DROITE	BLACK RIGHT ORNAMENTAL FRONT PANEL
TG7019		BOITIER ECRAN TANGO ST - PM	SREEN BOX TANGO ST



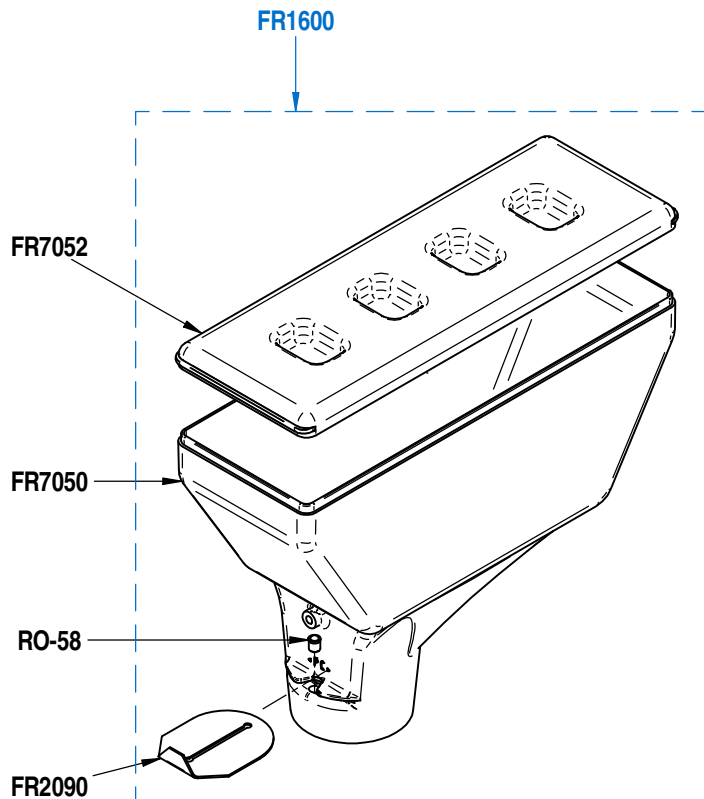
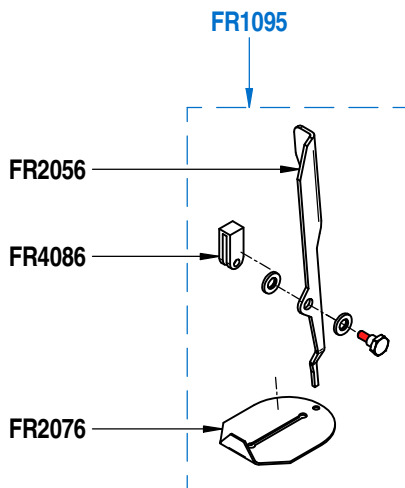
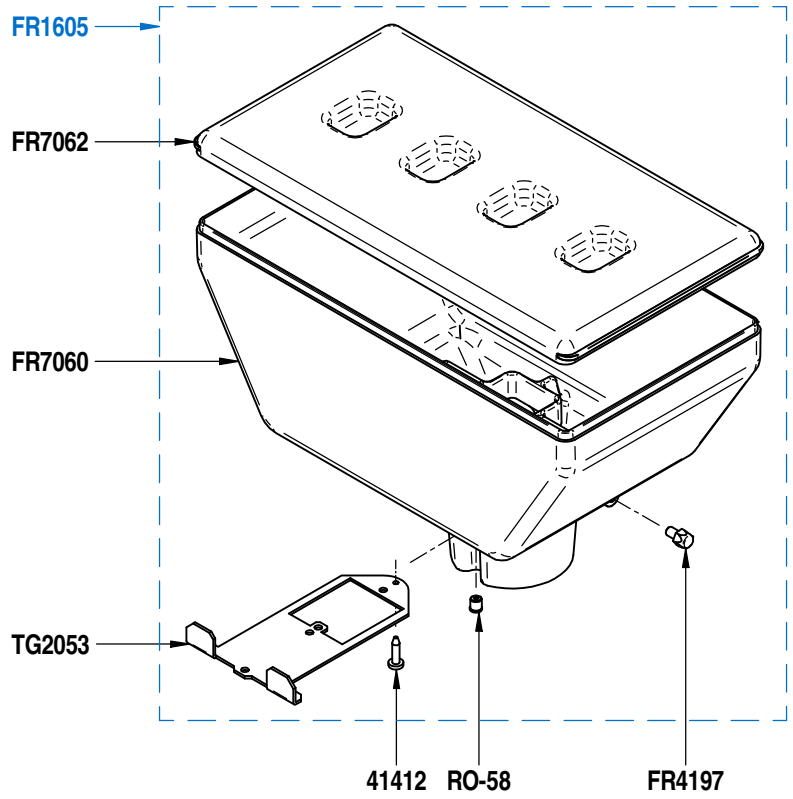
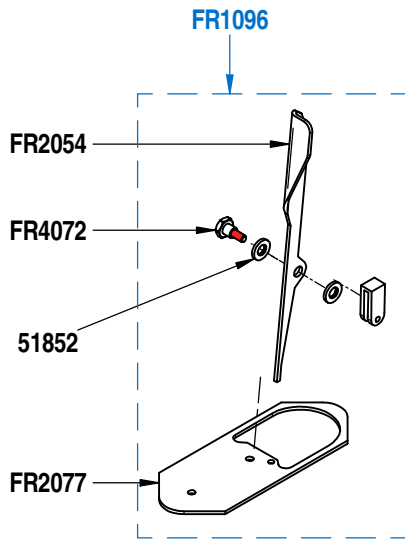
SOLO ST

DUO ST



## PLANCHE - PLATE 130

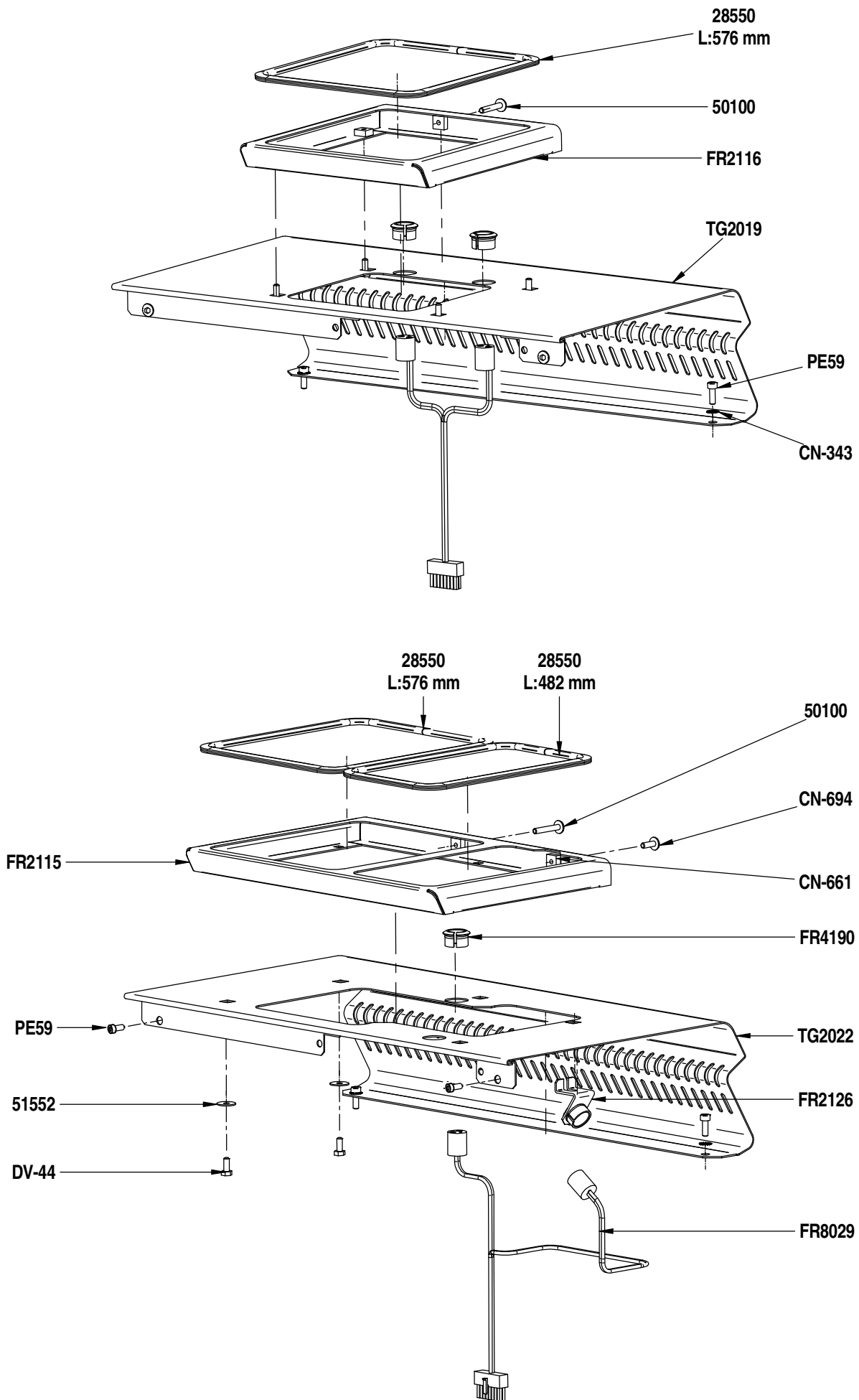
<b>REF</b>	<b>ELUX</b>	<b>DESIGNATIONS FR</b>	<b>DESIGNATIONS GB</b>
41412		POINTE	<i>PIN</i>
51852		ENTRETOISE 12X6 EP1.6	<i>SPACER 13X6 EP1.6</i>
FR1095		TRAPPE FERMETURE INT. TREMIE 100	<i>INT. CLOSING HATCH FOR HOPPER 100</i>
FR1096		TRAPPE FERMETURE INT. TREMIE 150	<i>INT. CLOSING HATCH FOR HOPPER 150</i>
FR1600		ENSEMBLE TREMIE 100	<i>HOPPER 100 FOR COFFEE GRINDER</i>
FR1605		ENSEMBLE TREMIE 150	<i>HOPPER 150 FOR COFFEE GRINDER</i>
FR2054		LEVIER TRAPPE TREMIE (150)	<i>LEVER FOR CLOSING HATCH</i>
FR2056		LEVIER TRAPPE TREMIE (100)	<i>LEVER FOR CLOSING HATCH</i>
FR2076		FERMETURE TREMIE 100X280	<i>CLOSING HATCH FOR HOPPER 100</i>
FR2077		FERMETURE TREMIE 150X280	<i>CLOSING HATCH FOR HOPPER 150</i>
FR2090		FERMETURE POUR TREMIE DE 100 X 280	<i>HOPPER 100 CLOSING PART</i>
FR4072		VIS EPAULEE M4	<i>SCREW M4</i>
FR4086		ETRIER LEVIER TRAPPE TREMIE	<i>U BOLT FOR LEVER HATCH</i>
FR4197		TETON POUR TREMIE 150	<i>NIPPLE FOR HOPPER 150</i>
FR7050		TREMIE 100 X 280	<i>HOPPER 100 X 280</i>
FR7052		COUVERCLE DE TREMIE 100 x 280	<i>HOPPER TOP 100 X 280</i>
FR7060		TREMIE 150 X 280	<i>HOPPER 150 X 280</i>
FR7062		COUVERCLE DE TREMIE 150 x 280	<i>HOPPER TOP 150 X 280</i>
RO-58		POUSSOIR A BILLE	<i>THRUST BALL BEARING</i>
TG2053		TRAPPE TREMIE 150 X 280	<i>CLOSING HATCH 150 X 280</i>



 Loctite 262

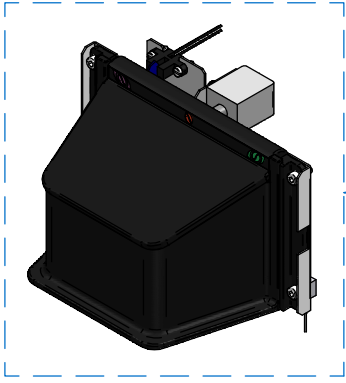
## PLANCHE - PLATE 132

<b>REF</b>	<b>ELUX</b>	<b>DESIGNATIONS FR</b>	<b>DESIGNATIONS GB</b>
28550		PROFILE CAOUTCHOUC U	GASKET
50100		VIS TC M4 X 25	SCREW M4 X 25
51552		RONDELLE INOX 4.25x14x0.8	S..STEEL WASHER 4.25x14x0.8
CN-343		RONDELLE EVENTAIL 4	WASHER 4
CN-661		ECROU CAGE M4, EP 1/1.6	INSERT NUT M4
CN-694		VIS POELIER M 4 X 12 INOX	SCREW M4 X 12
DV-44		VIS TH M4X10 ACIER	SCREW M4x10
FR2115		BASE DOUBLE TREMIE	HOPPER DOUBLE SEAT
FR2116		CACHE BASE 1 TREMIE	HOPPER SINGLE SEAT
FR2126		PATTE CELLULE TREMIE 100	SHEET METAL SENSOR HOLDER
FR4190		SUPPORT CELLULE TREMIE	SENSOR HOLDER
FR8029		CELLULES OPTIQUES AVEC CONNECTEUR	PHOTO CELL SENSORS
PE-59		VIS TCHC M4x10 INOX	SCREW 4 X 10
TG2019		DESSUS 1 TREMIE SOLO	SOLO 1 HOPPER TOP PLATE
TG2022		DESSUS 2 TREMIES SOLO	SOLO 2 HOPPERS TOP PLATE

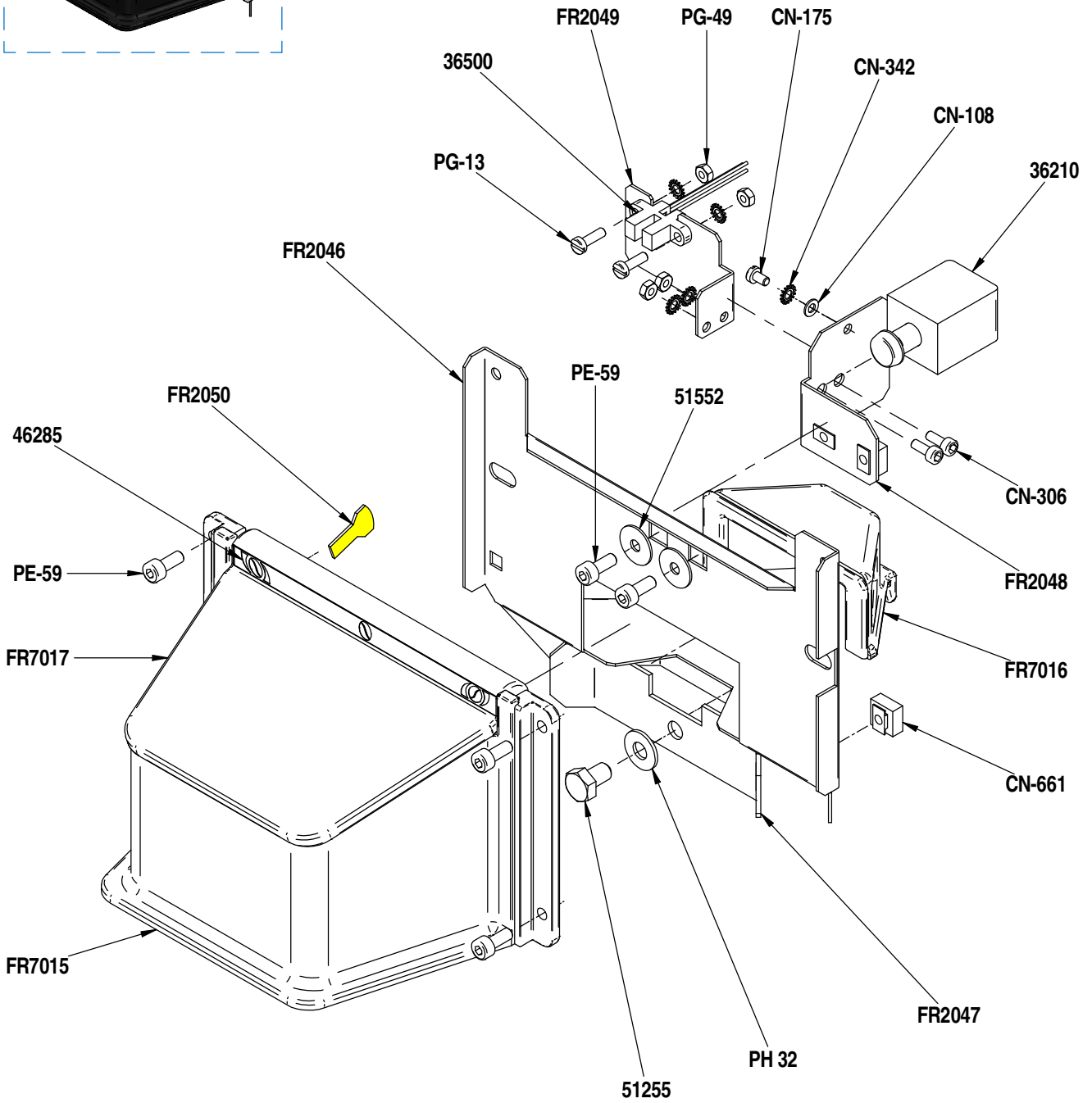


## PLANCHE - PLATE 135

<b>REF</b>	<b>ELUX</b>	<b>DESIGNATIONS FR</b>	<b>DESIGNATIONS GB</b>
36210		ELECTRO AIMANT COMPLET	WHOLE ELECTRO MAGNET
36500		CAPTEUR A FOURCHE EFFET HALL	FORK SENSOR
46285		AUTOCOLLANT BOITE DK TANGO ST	STICKER DK BOX
51255		VIS TH M6 X 10 INOX	S. STEEL SCREW M6 X 10
51552		RONDELLE INOX 4.25x14x0.8	S..STEEL WASHER 4.25x14x0.8
CN-108		RONDELLE LAITON Z3	WASHER
CN-175		VIS TC M3 X 5 INOX	SCREW M3 X 5
CN-306		VIS INOX TCHC 3 x 8	SCREW M3 X 8
CN-342		RONDELLE EVENTAIL 3	WASHER 3
CN-661		ECROU CAGE M4, EP 1/1.6	INSERT NUT M4
FR2046		TOLE SUPPORT BOITE DK	DK BOX HOLDER
FR2047		CALE DE FIXATION	PLATE U
FR2048		TOLE SUPPORT ELECTRO AIMANT	ELECTRO MAGNET HOLDER
FR2049		SUPPORT CAPTEUR BOITE DK	FORK SENSOR HOLDER
FR2050		TOLE BUTEE	PLATE FOR SENSOR
FR7015		CORPS BOITE DK	DK BOX BODY
FR7016		COLLECTEUR CAFE	COFFEE COLLECTOR
FR7017		PORTE	DOOR
PE-59		VIS TCHC M4x10 INOX	SCREW 4 X 10
PG-13		VIS TC M3x10	SCREW M3 X 10
PG-49		ECROU INOX Hu DE 3	NUT M3
PH-32		RONDELLE ACIER Zn 6,25x14x1,2	WASHER
TG1138		BOITE DK TANGO ST	DK BOX TANGO ST



TG1138

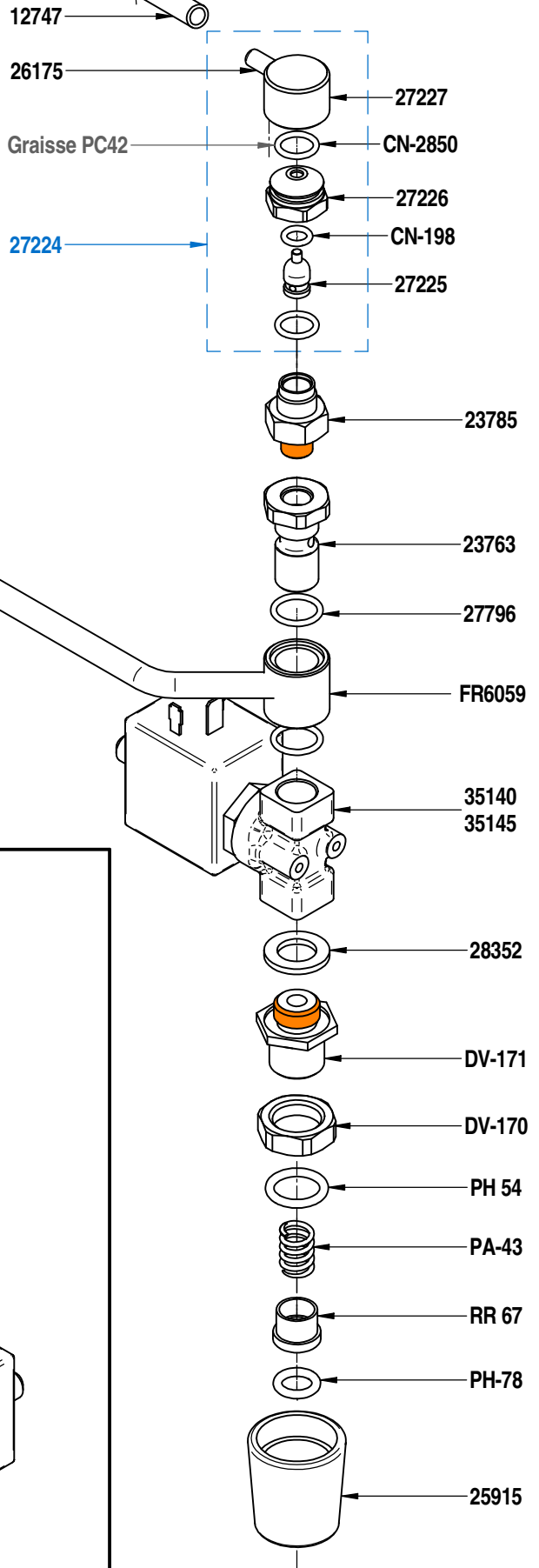


 Loctite 401

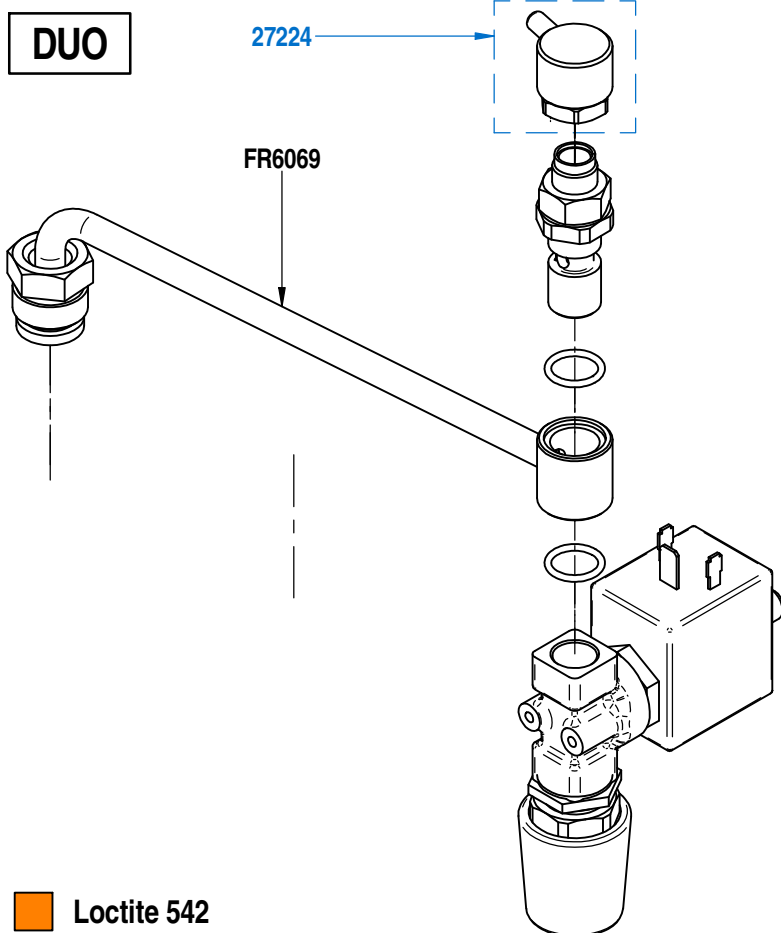
## PLANCHE - PLATE 201

REF	ELUX	DESIGNATIONS FR	DESIGNATIONS GB
12747		TUBE SILICONE SOUPLE 4 - 7	<i>FLEXIBLE SILICONE PIPE 4 - 7</i>
23763		AXE BANJO 1/4M - 1/8F	<i>BANJO SCREW 1/4M 1/8F</i>
23785		CORPS DE VALVE 1/8	<i>VALVE BODY</i>
25915		CACHE SORTIE EAU VAPEUR	<i>COVER OUTLET STEAM WATER</i>
26175		EMBOUT M6	<i>M6 NOZZLE</i>
27224		KIT VALVE DE PURGE	<i>VACCUM VALVE KIT</i>
27225		TIGE VALVE SPHERIQUE	<i>SPHERICAL ROD</i>
27226		ECROU VALVE DE PURGE	<i>VACCUM VALVE NUT</i>
27227		CABOCHON VALVE DE PURGE	<i>STOPPER PURGE VALVE</i>
27796	0UN023	JOINT TORIQUE 1,78 X 12,42 NEXUS	<i>O RING 1.78 X 12,42</i>
28352	0UN017	JOINT PLAT 20X12X2 EPDM 70SH	<i>GASKET 20X12X2</i>
35140		ELECTROVANNE 3/2 24V-50/60Hz	<i>ELECTROVALVE 3/2 24V-50/60</i>
35145		ELECTROVANNE 3/2 24V-50/60 NICKELEE	<i>ELECTROVALVE 3/2 24V-50/60 NICKEL-PLATED</i>
CN-198		JOINT TORIQUE 1,78X6,07 FKM	<i>GASKET - 6.07 x 1.78</i>
CN-2850		JOINT TORIQUE 1,78X10,82	<i>GASKET 10.82x1.78</i>
DV-170		ECROU CHROME	<i>NUT 3/8</i>
DV-171		RACCORD 3/8-1/4	<i>FITTING 3/8</i>
FR6059		TUBE EV SORTIE VAPEUR	<i>EV STEAM OUTLET PIPE</i>
FR6069		TUBE VAPEUR DUO	<i>STEAM PIPE</i>
PA-43		RESSORT F15/10 L14,5 D10,5 P3	<i>SPRING</i>
PH-54		JOINT TORIQUE 2,62X13,95 EPDM	<i>O RING - 13.95 x 2.62</i>
PH-78		JOINT TORIQUE 2,62X9,13 EPDM	<i>O RING - 9,13 X 2,62</i>
RR-67		EMBOUT LAITON	<i>BRASS END</i>

**SOLO & ACE**



**DUO**



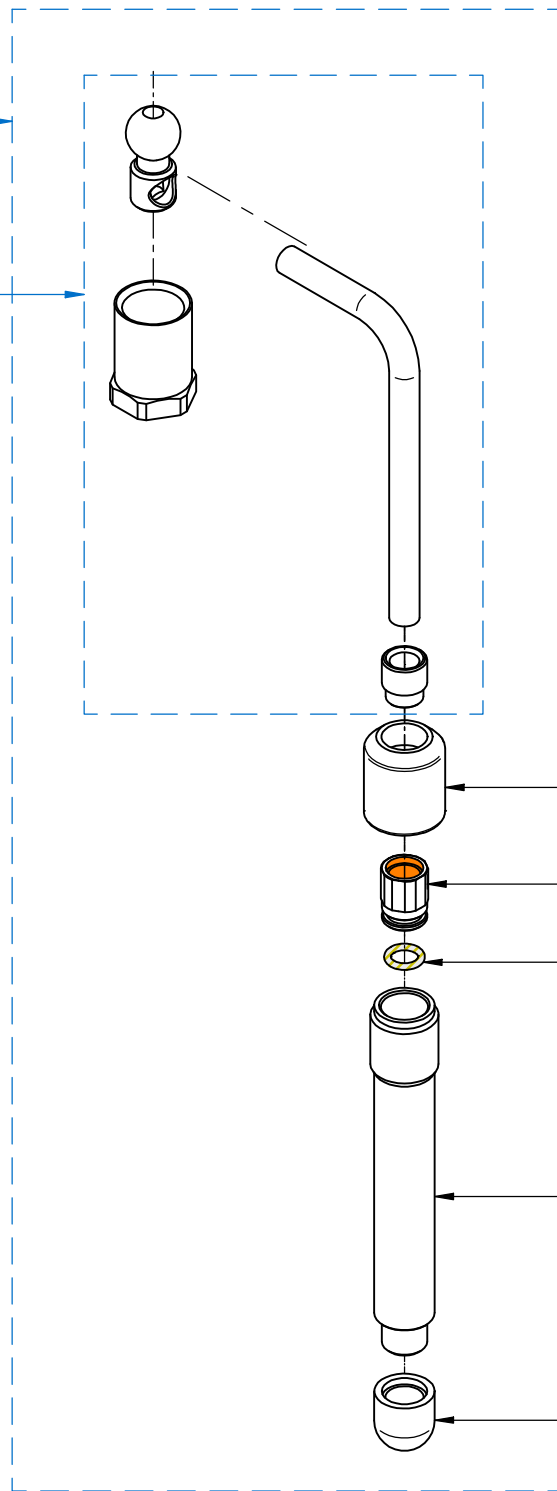
 Loctite 542

## PLANCHE - PLATE 221

<b>REF</b>	<b>ELUX</b>	<b>DESIGNATIONS FR</b>	<b>DESIGNATIONS GB</b>
CN-436		JOINT TORIQUE 1,78X8,73 EPDM	<i>GASKET 8,73 X 1,78</i>
FR1058		SORTIE VAPEUR PTFE	<i>PTFE STEAM OUTLET</i>
FR6014		TUBE SORTIE VAPEUR PTFE	<i>PTFE STEAM OUTLET PIPE</i>
RO-70		EMBOUT VAPEUR TEFLON 6 TROUS	<i>LOW TEFLON PIPE</i>
RO-72		TUBE TEFLON	<i>PIPE TEFLON</i>
RO-73		RACCORD SORTIE VAPEUR	<i>FITTING STEAM OUTLET</i>
RO-76		BAGUE SORTIE VAPEUR	<i>FITTING PLASTIC</i>

FR1058

FR6014



RO-76

RO-73

CN-436

RO-72

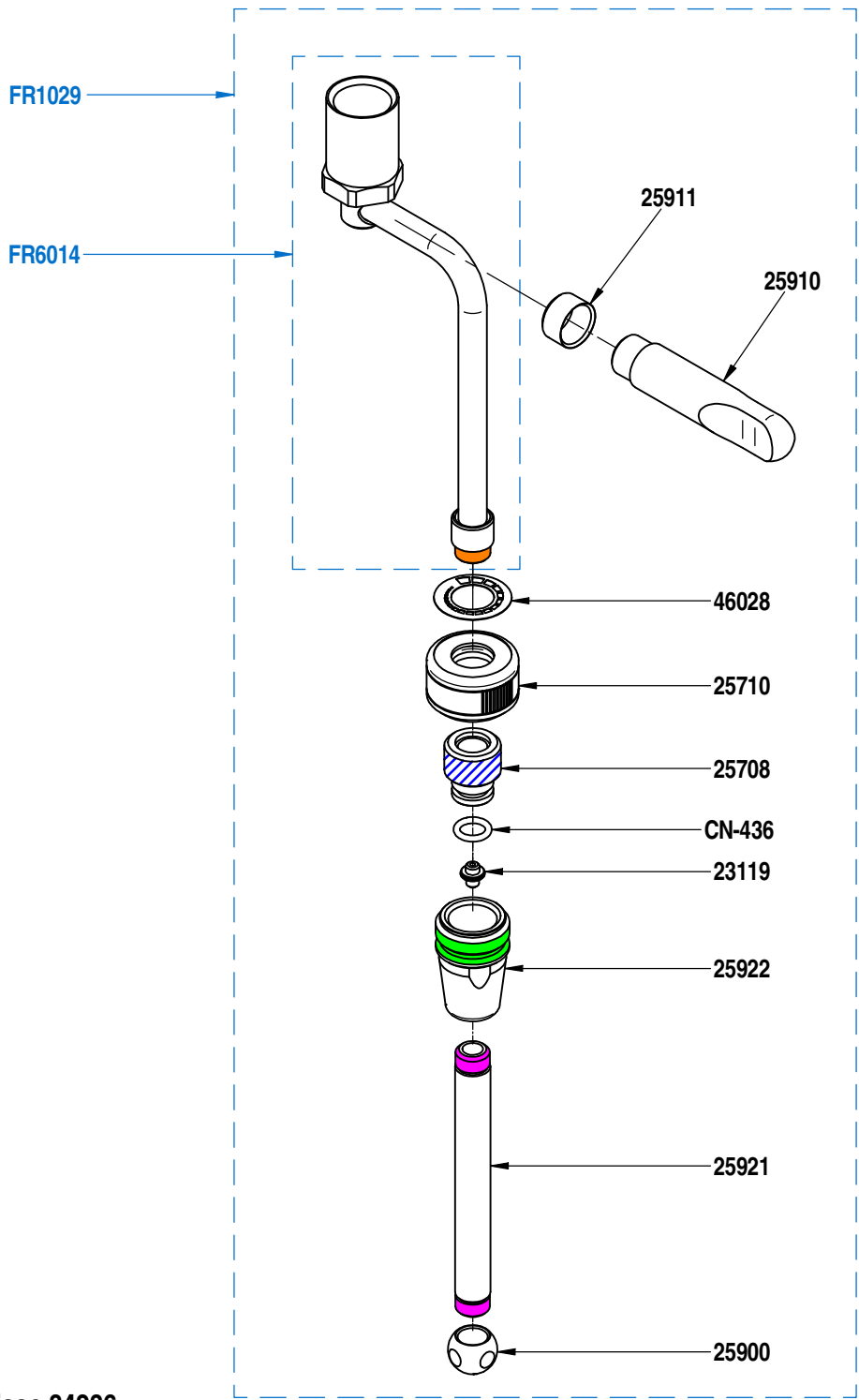
RO-70



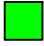
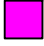
 Graisse 8104

 Loctite 542

## PLANCHE - PLATE 232

<b>REF</b>	<b>ELUX</b>	<b>DESIGNATIONS FR</b>	<b>DESIGNATIONS GB</b>
23119		GICLEUR DIAM:0,9	GICLUER DIAM. 0.9
25708		RACCORD SORTIE DEBIT REGLABLE	ADJUSTABLE OUTLET FITTING
25710		MOLETTE POUR SORTIE DEBIT REGLABLE	ADJUSTABLE OUTLET TOOTHED WHEEL
25900		BRISE JET BOULE POUR IRISH	ANTI PLASH BALL FOR IRISH
25910		POIGNEE SORTIE EAU CHAUDE ET VAPEUR	HOT WATER AND STEAM OUTLET HANDLE
25911		BAGUE POUR POIGNEE EAU ET VAPEUR	WATER AND STEAM HANDLE COLLAR
25921		RALLONGE SORTIE IRISH	IRISH OUTLET EXTENSION
25922		EMBOUT SORTIE IRISH DEBIT REGLABLE	ADJUSTABLE FLOW IRISH NOZZLE
46028		AUTOCOLLANT SORTIES REGLABLES	ADJUSTABLE OUTLET STICKER
CN-436		JOINT TORIQUE 1,78X8,73 EPDM	GASKET 8,73 X 1,78
FR1029		SORTIE VAPEUR REGLABLE	ADJUSTABLE STEAM OUTLET
FR6014		TUBE SORTIE VAPEUR PTFE	PTFE STEAM OUTLET PIPE



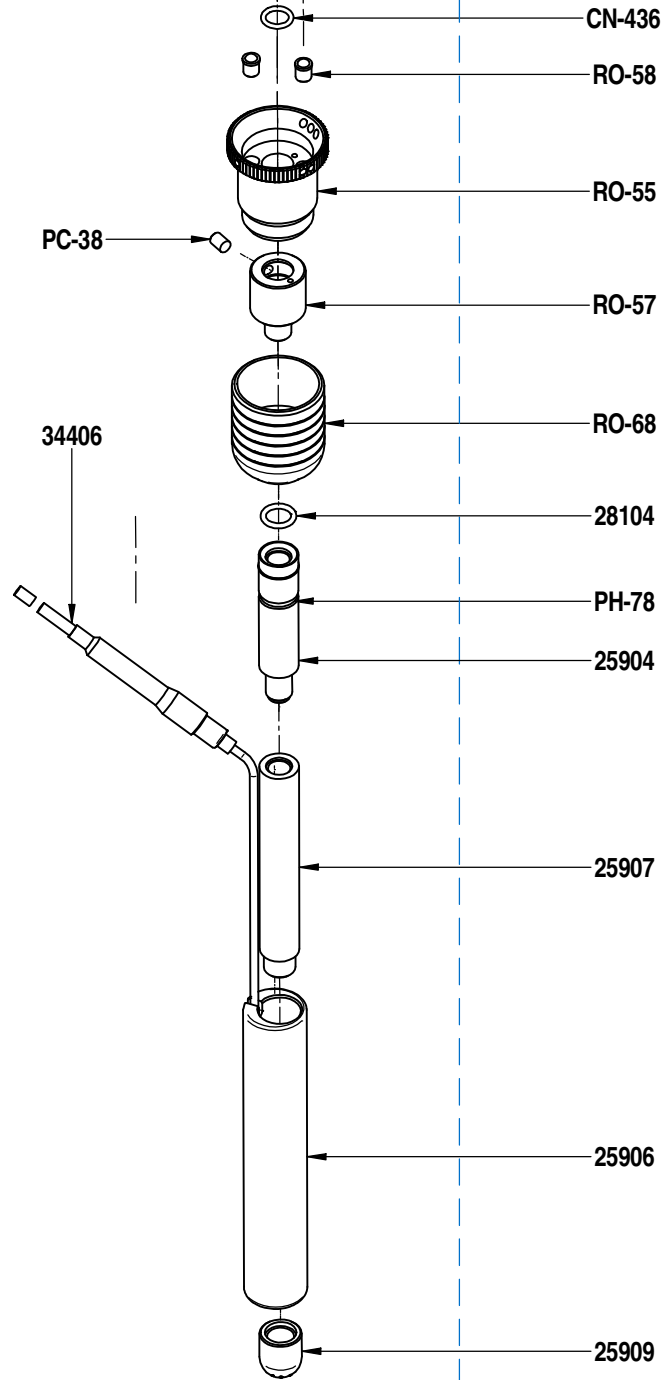
-  Graisse 84236
-  Loctite 542
-  Loctite 262
-  Loctite 222

## PLANCHE - PLATE 241

<b>REF</b>	<b>ELUX</b>	<b>DESIGNATIONS FR</b>	<b>DESIGNATIONS GB</b>
25904		RALLONGE SORTIE CAPPUCCINO	CAPPUCCINO OUTLET EXTENSION
25906		SUPPORT DE SONDE TANGO	TANGO PROBE SUPPORT
25907		TUBE PTFE STEAMAIR	PTFE STEAMAIR PIPE
25909		EMBOUT PTFE 12 TROUS	12 HOLES END PIPE
28104	0UN146	JOINT TORIQUE 2X9,5 FKM 80SH	GASKET 2X9,5
34406	0UN106	SONDE VAPEUR THERMOSTATEE V+	V+ THERMOSTATED STEAM PROBE
CN-436		JOINT TORIQUE 1,78X8,73 EPDM	GASKET 8,73 X 1,78
FR1038		SORTIE STEAMAIR V+	V+ STEAMAIR OUTLET
PC-38		VIS STHC M5X8 BOUT POINTU	POINT END SCREW
PH-78		JOINT TORIQUE 2,62X9,13 EPDM	O RING - 9,13 X 2,62
RO-55		BARILLET	BARREL
RO-57		MELANGEUR EN LAITON	MIXER
RO-58		POUSSOIR A BILLE	THRUST BALL BEARING
RO-59A		TUBE SORTIE VAPEUR SP	CHROME COPPER TUBE
RO-68		CACHE BARILLET	BARREL COVER

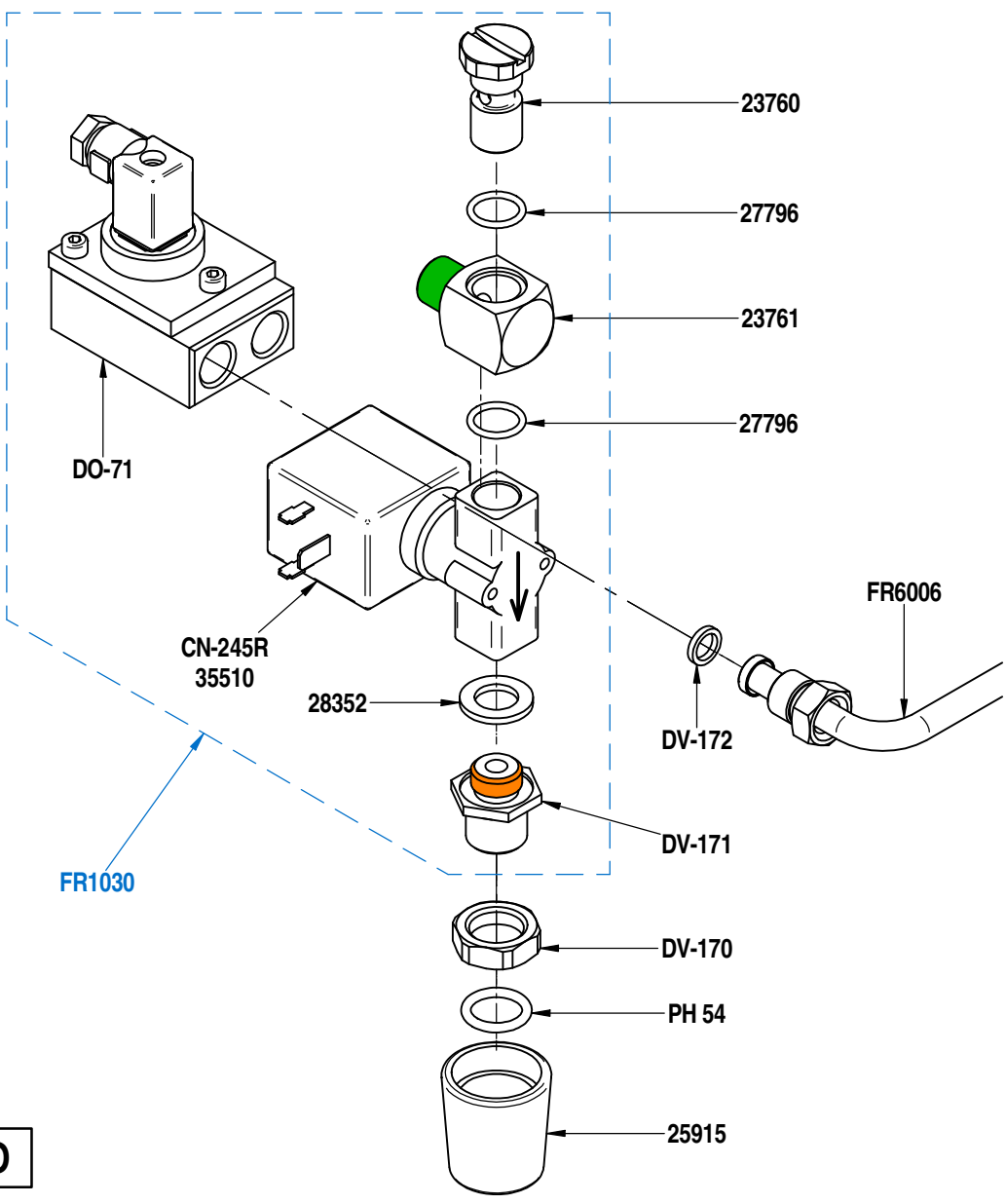
FR1038

RO59A



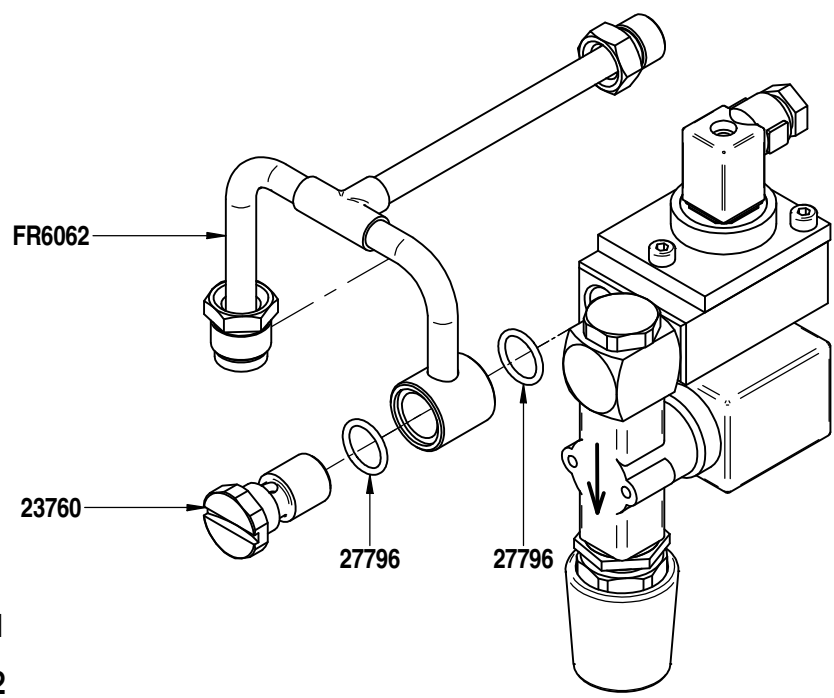
## PLANCHE - PLATE 251

<b>REF</b>	<b>ELUX</b>	<b>DESIGNATIONS FR</b>	<b>DESIGNATIONS GB</b>
23760		AXE BANJO 1/4	BANJO SCREW 1/4
23761		CORPS DE BANJO 1/4	BANJO BODY 1/4
25915		CACHE SORTIE EAU VAPEUR	COVER OUTLET STEAM WATER
27796	0UN023	JOINT TORIQUE 1,78 X 12,42 NEXUS	O RING 1.78 X 12,42
28352	0UN017	JOINT PLAT 20X12X2 EPDM 70SH	GASKET 20X12X2
35510		EV 2 VOIES 24V NSF	ELECTROVALVE 2 WAYS 24V NSF
CN-245R		ELECTROVANNE 2V 24V-50/60Hz	ELECTROVALVE 2W 24V-50/60Hz
DO-71		DOSEUR D'EAU COMPLET D=2,5	WHOLE WATER DOS. DEVICE D:2,5
DV-170		ECROU CHROME	NUT 3/8
DV-171		RACCORD 3/8-1/4	FITTING 3/8
DV-172		JOINT PLAT 11.4 X 7.5 X 1.9	GASKET
FR1030		SORTIE EAU CHAUDE HAUT	HOT WATER OUTPUT UP
FR6006		TUBE EV EAU CHAUDE	HOT WATER EV PIPE
FR6062		TUBE EAU CHAUDE	HOT WATER PIPE
PH-54		JOINT TORIQUE 2,62X13,95 EPDM	O RING - 13.95 x 2.62



**DUO**

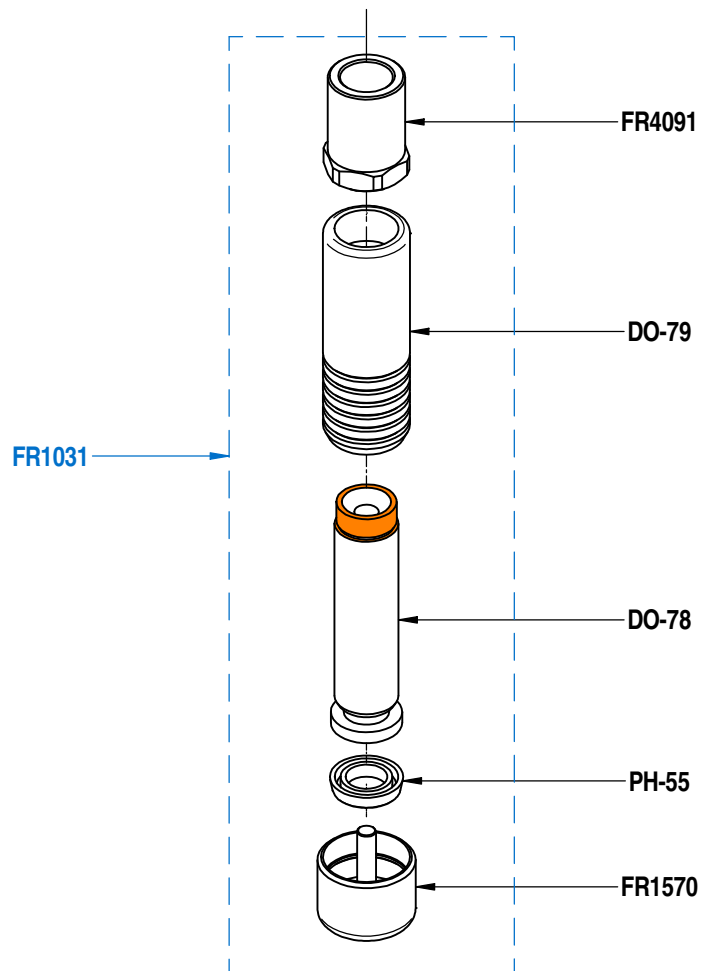
**SOLO & ACE**



- Loctite 601
- Loctite 542

## PLANCHE - PLATE 260

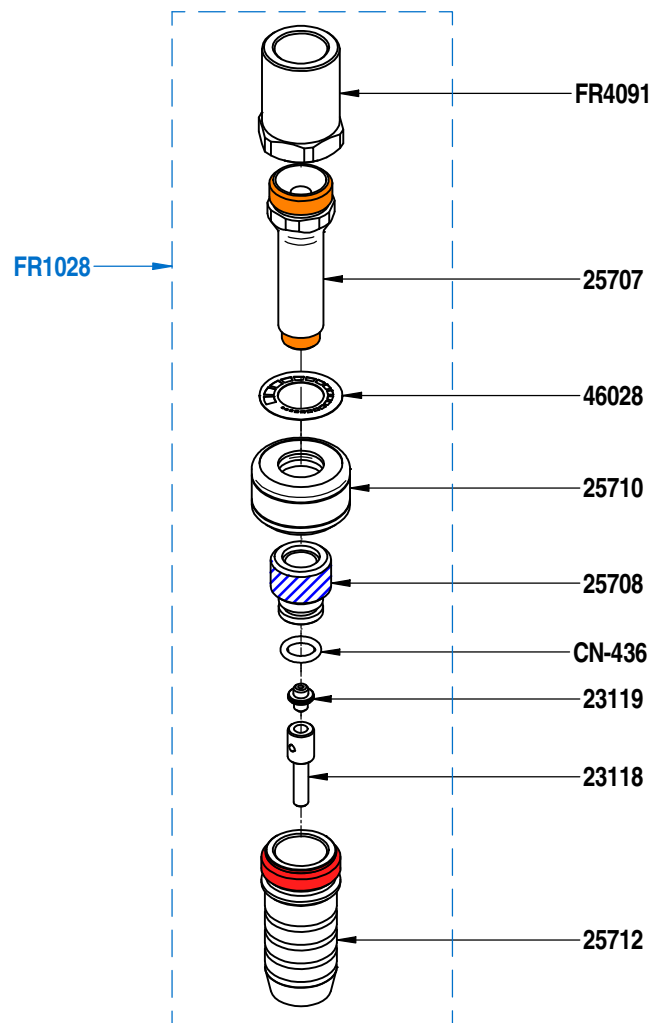
<b>REF</b>	<b>ELUX</b>	<b>DESIGNATIONS FR</b>	<b>DESIGNATIONS GB</b>
DO-78		SORTIE TELESCOPIQUE	TELESCOPIC OUTLET
DO-79		RALLONGE SORTIE TELESCOPIQUE	TELESCOPIC OUTLET EXTENSION
FR1031		SORTIE EAU CHAUDE	HOT WATER OUTPUT
FR1570		BRISE JET EAU CHAUDE	ANTI SPLASH PLUG
FR4091		RACCORD ENTRETOISE 3/8F	FITTING 3/8
PH-55		JOINT LEVRE 11,11X19,05X3,96	GASKET 11,11 X 19,05 X 3,96



 Loctite 542

## PLANCHE - PLATE 270

<b>REF</b>	<b>ELUX</b>	<b>DESIGNATIONS FR</b>	<b>DESIGNATIONS GB</b>
23118		SUPPORT GICLEUR SORTIE EAU CHAUDE	<i>HOT WATER GICLUER SUPPORT</i>
23119		GICLEUR DIAM:0,9	<i>GICLUER DIAM. 0.9</i>
25707		TUBE SORTIE EAU CHAUDE REGLABLE	<i>ADJUSTABLE HOT WATER OUTLET PIPE</i>
25708		RACCORD SORTIE DEBIT REGLABLE	<i>ADJUSTABLE OUTLET FITTING</i>
25710		MOLETTE POUR SORTIE DEBIT REGLABLE	<i>ADJUSTABLE OUTLET TOOTHED WHEEL</i>
25712		EMBOUT EAU CHAUDE DEBIT REGLABLE	<i>ADJUSTABLE HOT WATER SPOUT</i>
46028		AUTOCOLLANT SORTIES REGLABLES	<i>ADJUSTABLE OUTLET STICKER</i>
CN-436		JOINT TORIQUE 1,78X8,73 EPDM	<i>GASKET 8,73 X 1,78</i>
FR1028		SORTIE EAU CHAUDE REGLABLE	<i>ADJUSTABLE HOT WATER OUTLET</i>
FR4091		RACCORD ENTRETOISE 3/8F	<i>FITTING 3/8</i>



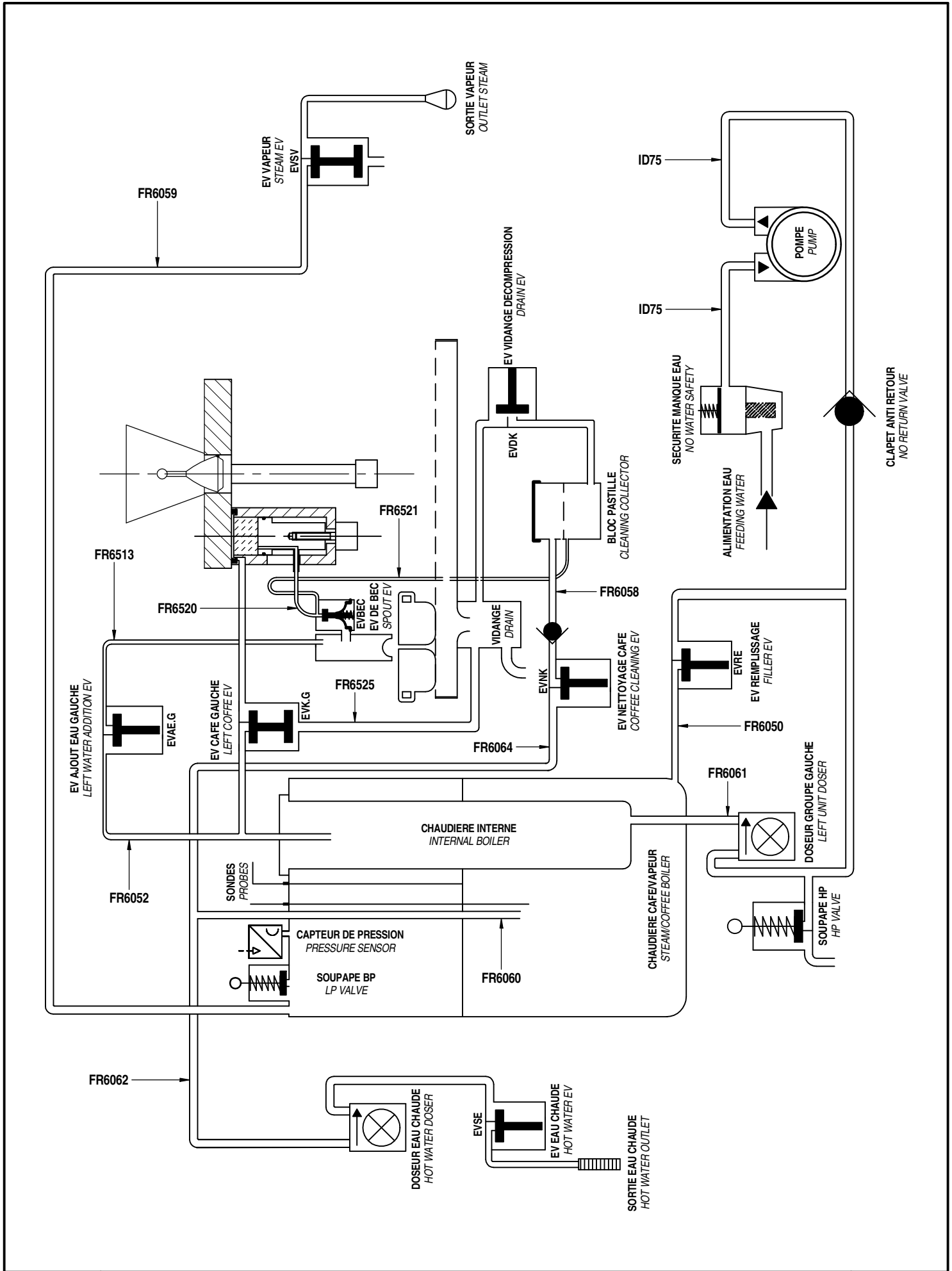
 Graisse 84236

 Loctite 542

 Loctite 262

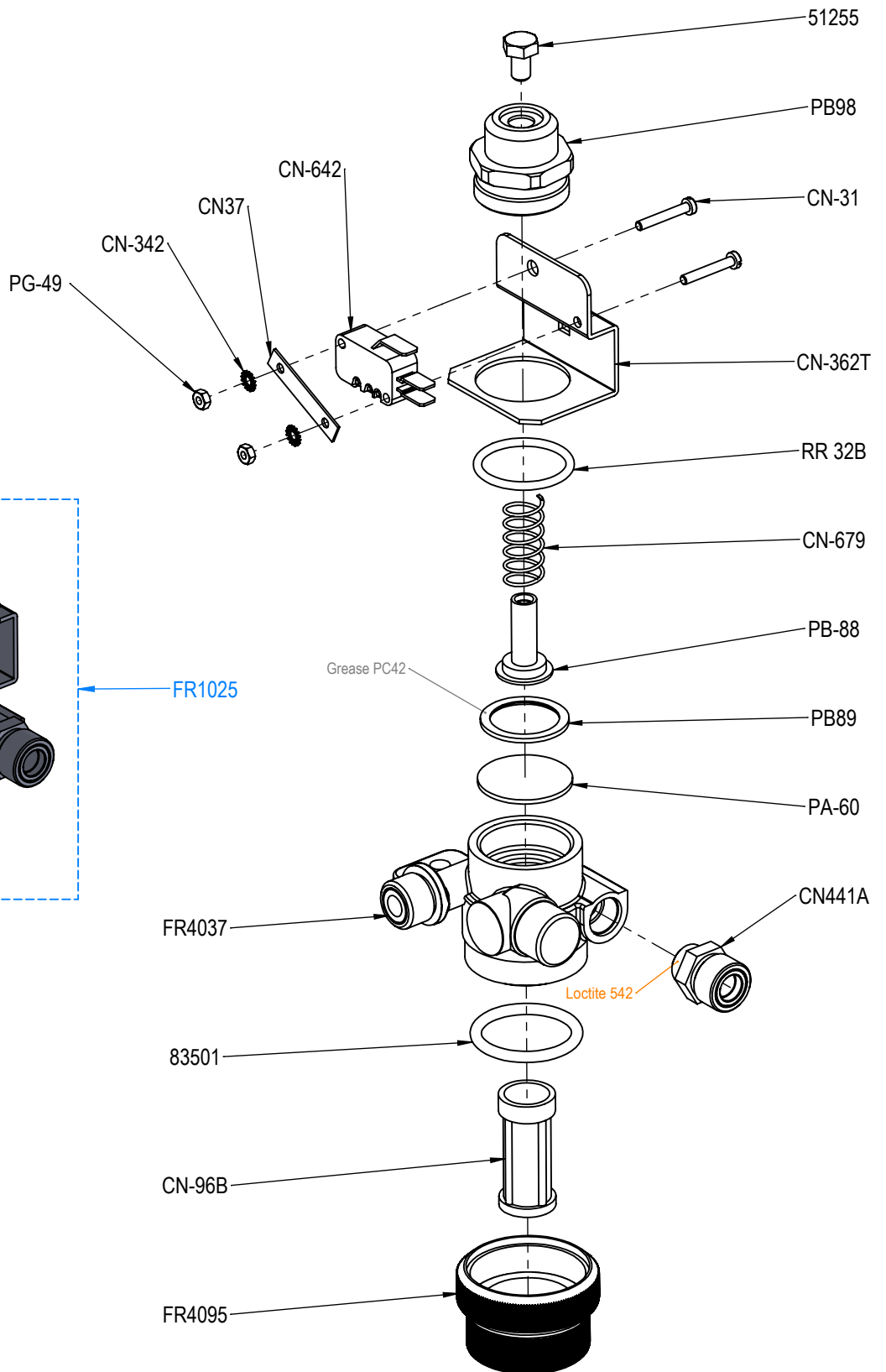
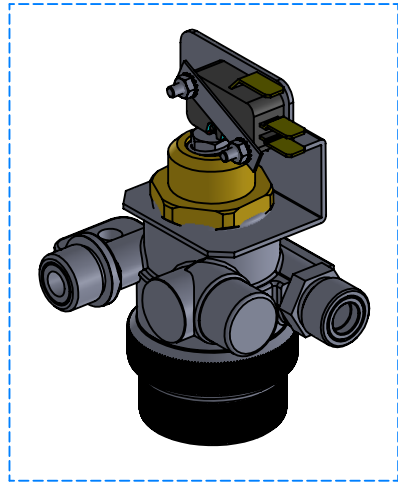
## PLANCHE - PLATE 301

<b>REF</b>	<b>ELUX</b>	<b>DESIGNATIONS FR</b>	<b>DESIGNATIONS GB</b>
FR6050		TUBE REMPLISSAGE CHAUDIERE	FILLER PIPE
FR6052		TUBE GROUPE CAFE	EV COFFEE PIPE
FR6058		TUBE NETTOYAGE GROUPE CAFE	COFFEE CLEANING PIPE
FR6059		TUBE EV SORTIE VAPEUR	EV STEAM OUTLET PIPE
FR6060		TUBE PLONGEUR EAU CHAUDE	HOT WATER DIVER PIPE
FR6061		TUBE DOSEUR	METERING UNIT PIPE
FR6062		TUBE EAU CHAUDE	HOT WATER PIPE
FR6064		TUBE ALIM EV NETTOYAGE	EV CLEANING PIPE
FR6513		TUBE PTFE SORTIE EAU CHAUDE L:145	OUTLET HOT WATER PIPE L:145mm
FR6520	0UN024	TUBE CAFE lg 238 mm	COFFEE PIPE length 238 mm
FR6521		TUBE DETERGENT	DETERGENT PIPE
FR6525		TUBE DE DECOMPRESSION L 400MM	DISCHARGE PIPE L 400MM
ID-75		TUBE FLEXIBLE COUDE ARME INOX	FLEXIBLE PIPE



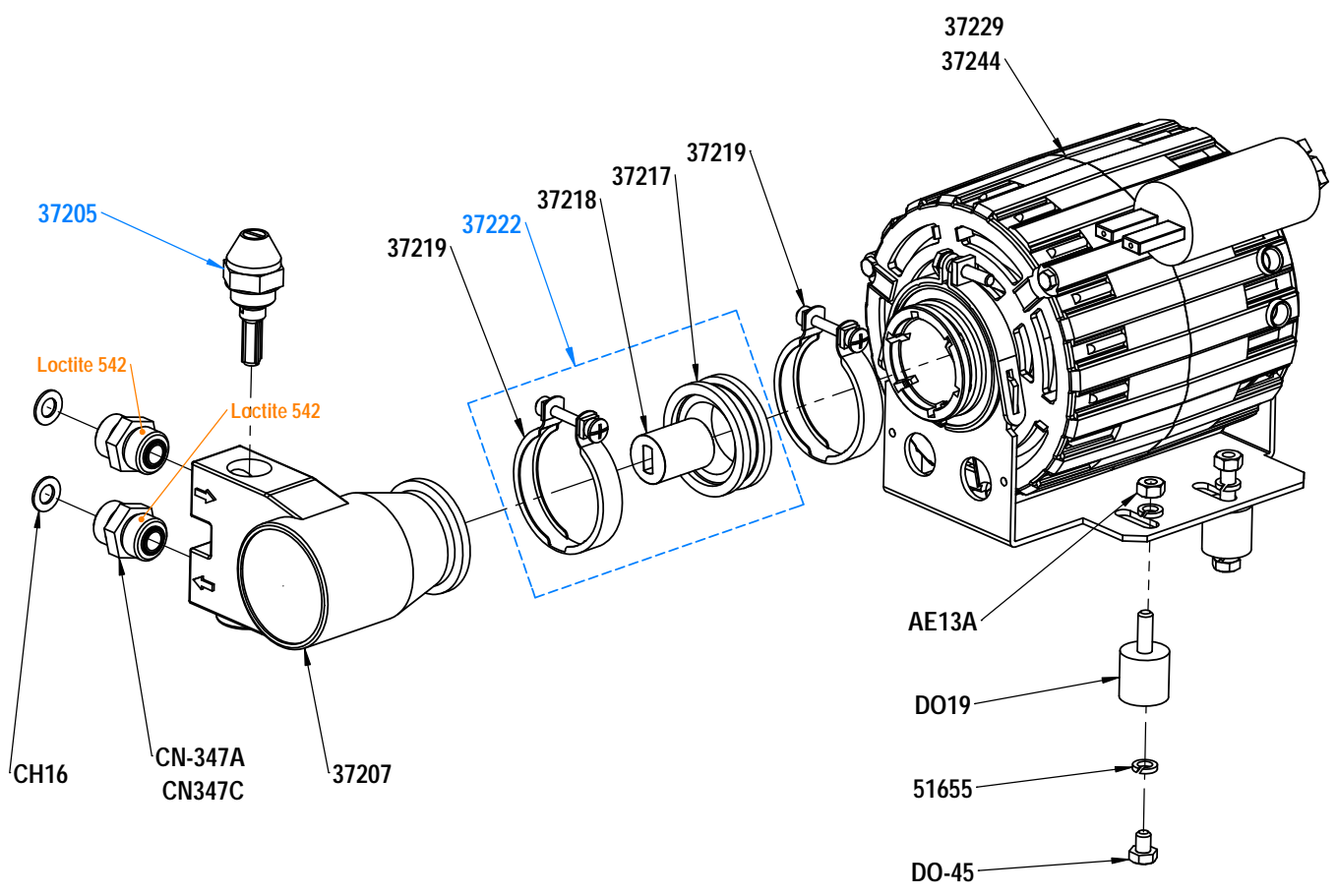
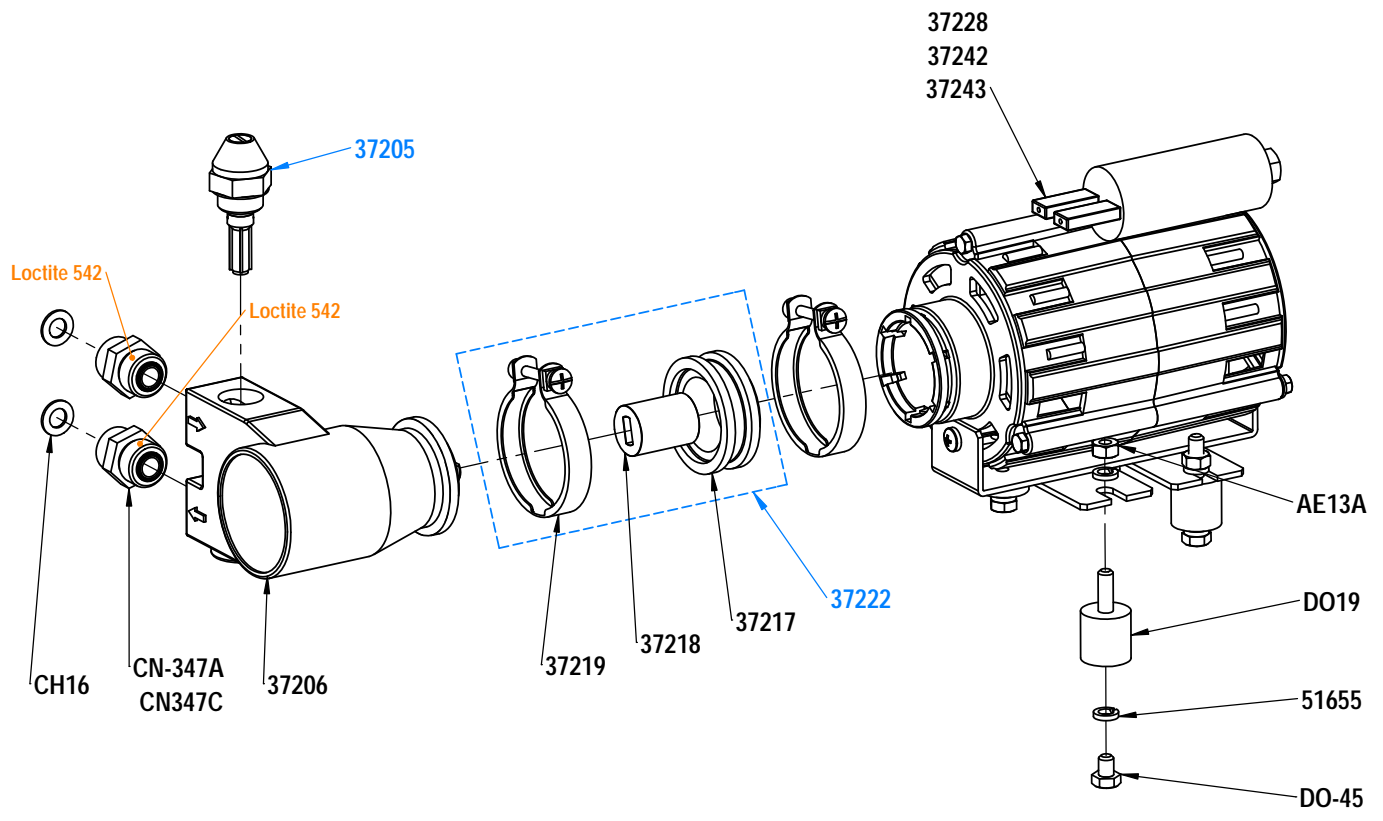
## PLANCHE - PLATE 310

<b>REF</b>	<b>ELUX</b>	<b>DESIGNATIONS FR</b>	<b>DESIGNATIONS GB</b>
51255		VIS TH M6 X 10 INOX	<i>S. STEEL SCREW M6 X 10</i>
83501		JOINT TORIQUE 3,53 X 29,75	<i>GASKET 3,53 X 29,75</i>
CN-31		VIS TC M3 X 20 INOX	<i>SCREW M3 X 20</i>
CN-342		RONDELLE EVENTAIL 3	<i>WASHER 3</i>
CN-362T		SUPPORT TOLE POUR MINIRUPTEUR	<i>MICROSWITCH HOLDER</i>
CN-37		PATTE INOX FIXATION MINIRUPT.	<i>MICROSWITCH HOLDING BAR</i>
CN-441A		RACCORD 1/4M-3/8M	<i>FITTING 1/4 3/8</i>
CN-642	OUN035	MINIRUPTEUR F=300GR FLASHE OR	<i>MICROSWITCH</i>
CN-679		RESSORT SECU. EAU D13 P5 L30	<i>SPRING</i>
CN-96B		CARTOUCHE POUR FILTRE 80 MIC	<i>FILTER CARTRIDGE 80 MICRONS</i>
FR1025		SECURITE MANQUE D'EAU	<i>NO WATER SAFETY</i>
FR4037		BLOC FILTRE SECURITE EAU	<i>WATER SAFETY BODY</i>
FR4095		CUVE FILTRE LAITON	<i>BRASS WATER SAFETY DISK</i>
PA-60		MEMBRANE D30	<i>MEMBRANE D30</i>
PB-88		PISTON	<i>PISTON</i>
PB-89		RONDELLE POUR MEMBRANE	<i>TIGHTENING WASHER</i>
PB-98		EMBOUT	<i>FITTING</i>
PG-49		ECROU INOX Hu DE 3	<i>NUT M3</i>
RR-32B		JOINT TORIQUE 2,62X26,64 EPDM	<i>ROUND RING 2,62 x 2,62 - 75</i>



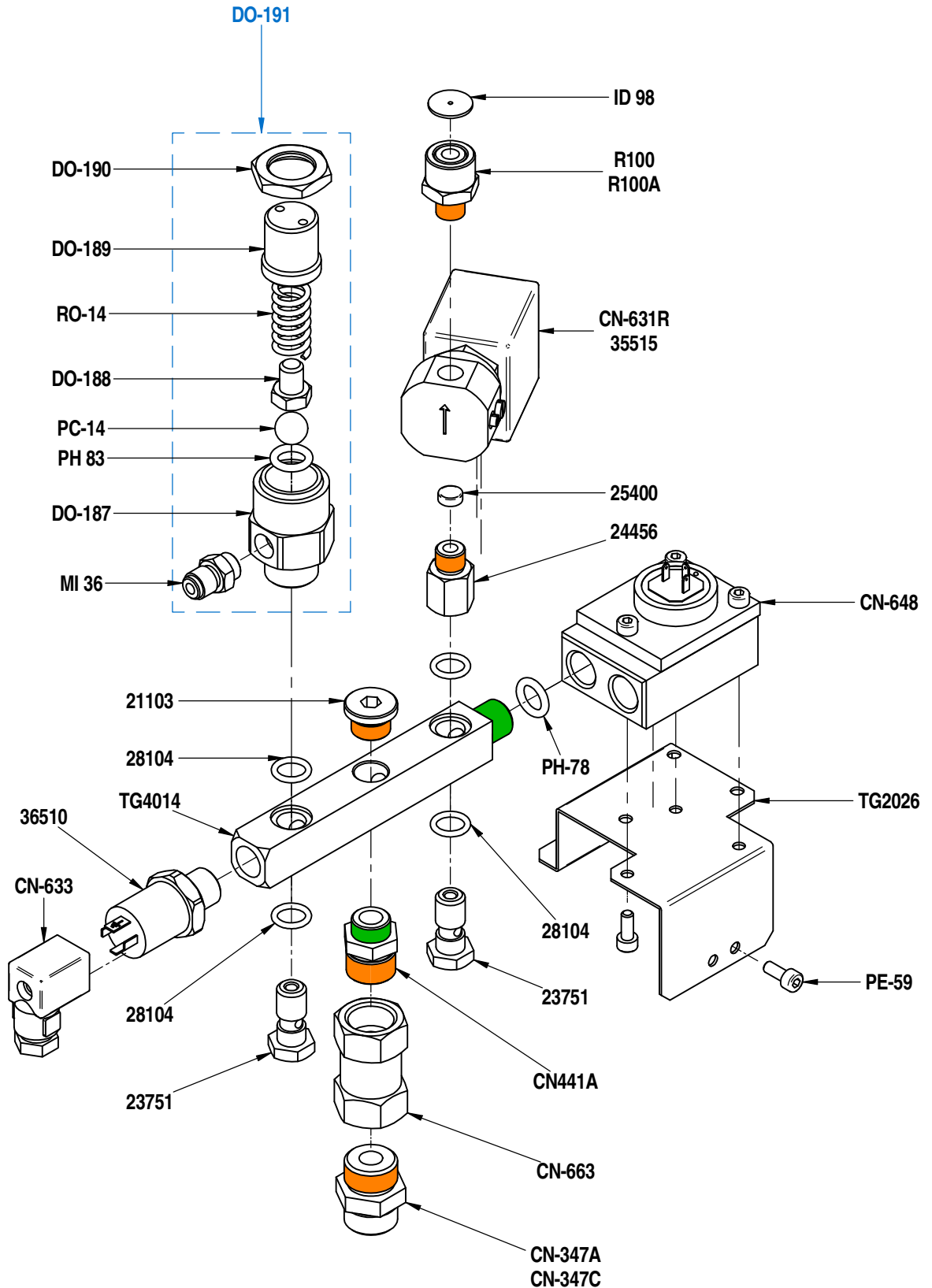
## PLANCHE - PLATE 320

REF	ELUX	DESIGNATIONS FR	DESIGNATIONS GB
37205		BY PASS POUR POMPE FLUIDOTECH	BY PASS FOR FLUIDOTECH PUMP
37206		POMPE ROTATIVE 100L/H SANS PLOMB	UNLEADED PUMP 100L/H
37207	OUN056	POMPE ROTATIVE 200L/H SANS PLOMB	UNLEADED PUMP 200L/H
37217		ENTRETOISE POUR ACCOUP. MOTEUR-POMPE	SPACER 48 YZ
37218		ACCOUPLLEMENT MALE/FEMELLE MOTEUR-POMPE	ACCOUPLLEMENT MALE/FEMALE
37219		COLLIER POUR POMPE FLUIDOTECH	CLAMP
37222		KIT ACCOUPLEMENT MOTEUR POMPE	GANGING RING KIT
37228		MOTEUR POMPE 120W 220-230V 50-60Hz UL	PUMP MOTOR 120W 220-230V 50-60Hz UL
37229		MOTEUR POMPE 165W 220-230V 50-60Hz UL	PUMP MOTOR 165W 220-230V 50-60Hz UL
37242		MOTEUR POMPE 120W 110V 60Hz - UL	PUMP MOTOR 120W 110V 60Hz - UL
37243		MOTEUR POMPE 120W 220-230V 50-60Hz	PUMP MOTOR 120W 220-230V 50-60Hz
37244		MOTEUR POMPE 165W 220-230V 50-60Hz	PUMP MOTOR 165W 220-230V 50-60Hz
51655		RONDELLE GROWER DE 6	WASHER 6
AE-13A		ECROU INOX Hu 6-100	NUT M6
CH-16		JOINT CUIVRE RECUIT 3/8	WASHER - COPPER - 3/8
CN-347A		RACCORD D'ALIM. 3/8 - 3/8 MM	FITTING - 3/8 X 3/8 -
CN-347C		RACCORD D'ALIM 3/8 3/8	FITTING 3/8 3/8
DO-19		PLOT APB 20-20	SILENTBLOC
DO-45		VIS ACIER ZN TH 6 X 8	SCREW 6 X 8



## PLANCHE - PLATE 330

REF	ELUX	DESIGNATIONS FR	DESIGNATIONS GB
21103		BOUCHON 1/4	PLUG 1/4
23751	OUN088	AXE DE BANJO 1/8	BANJO SCREW
24456		RACCORD DROIT 1/8M 1/8F	FITTING 1/8
25400	OUN124	FILTRE INOX	FILTER
26305		CLAPET ANTI RETOUR COMPACT NSF	NON RETURN VALVE NSF
28104	OUN146	JOINT TORIQUE 2X9,5 FKM 80SH	GASKET 2X9,5
35515		EV 2 VOIES 24V 50-60HZ NSF	EV 2 WAYS 24V 50-60HZ NSF
36510		CAPTEUR DE PRESSION 0-16b	0-16b PRESSURE SENSOR
CN-347A		RACCORD D'ALIM. 3/8 - 3/8 MM	FITTING - 3/8 X 3/8 -
CN-347C		RACCORD D'ALIM 3/8 3/8	FITTING 3/8 3/8
CN-441A		RACCORD 1/4M-3/8M	FITTING 1/4 3/8
CN-631R		EV 2V REGL. 24V-50/60Hz	ELECTROVALVE 2W ADJ. 24V-50/60Hz
CN-633		CONNECTEUR DE COMPT. VOLUM.	CONNECTOR
CN-648		COMPTEUR VOLUMETRIQUE	WHOLE W.DOSING DEVICE
CN-663		CLAPET ANTI RETOUR COMPACT	VALVE - NON-RETURN
DO-187		CORPS DE SOUPAPE	VALVE BODY
DO-188		TIGE DE SOUPAPE	VALVE PISTON
DO-189		ECROU DE SOUPAPE	VALVE NUT
DO-190		CONTRE ECROU M18 X 100	NUT M18 X 100
DO-191		SOUPAPE H.P. COMPLETE	COMPLET H.P. VALVE
ID-98		JOINT CUIVRE GICLEUR D1.7X14.5	JET COPPER GASKET D1.7X14.5
MI-36		RACCORD 1/8M 1/8M	CONNECTION 1/8
PC-14		BILLE INOX POLIE DE 11	STAINLESS STEEL BALL DIA 11
PE-59		VIS TCHC M4x10 INOX	SCREW 4 X 10
PH-78		JOINT TORIQUE 2,62X9,13 EPDM	O RING - 9,13 X 2,62
PH-83		JOINT TORIQUE 2,62X9,19 PTFE	O RING 9,19 X 2,62 PTFE
R-100		RACCORD LAITON	FITTING
R-100A		RACCORD LAITON SP	FITTING SP
RO-14		RESSORT F20/10L26.5 D13 P5	SPRING
TG2026		TOLE SUPPORT DOSEUR	HOLDER SHEET DOSER
TG4014		RACCORD NOURRICE 3 VOIES	FITTING 3 WAYS



- Loctite 601
- Loctite 542

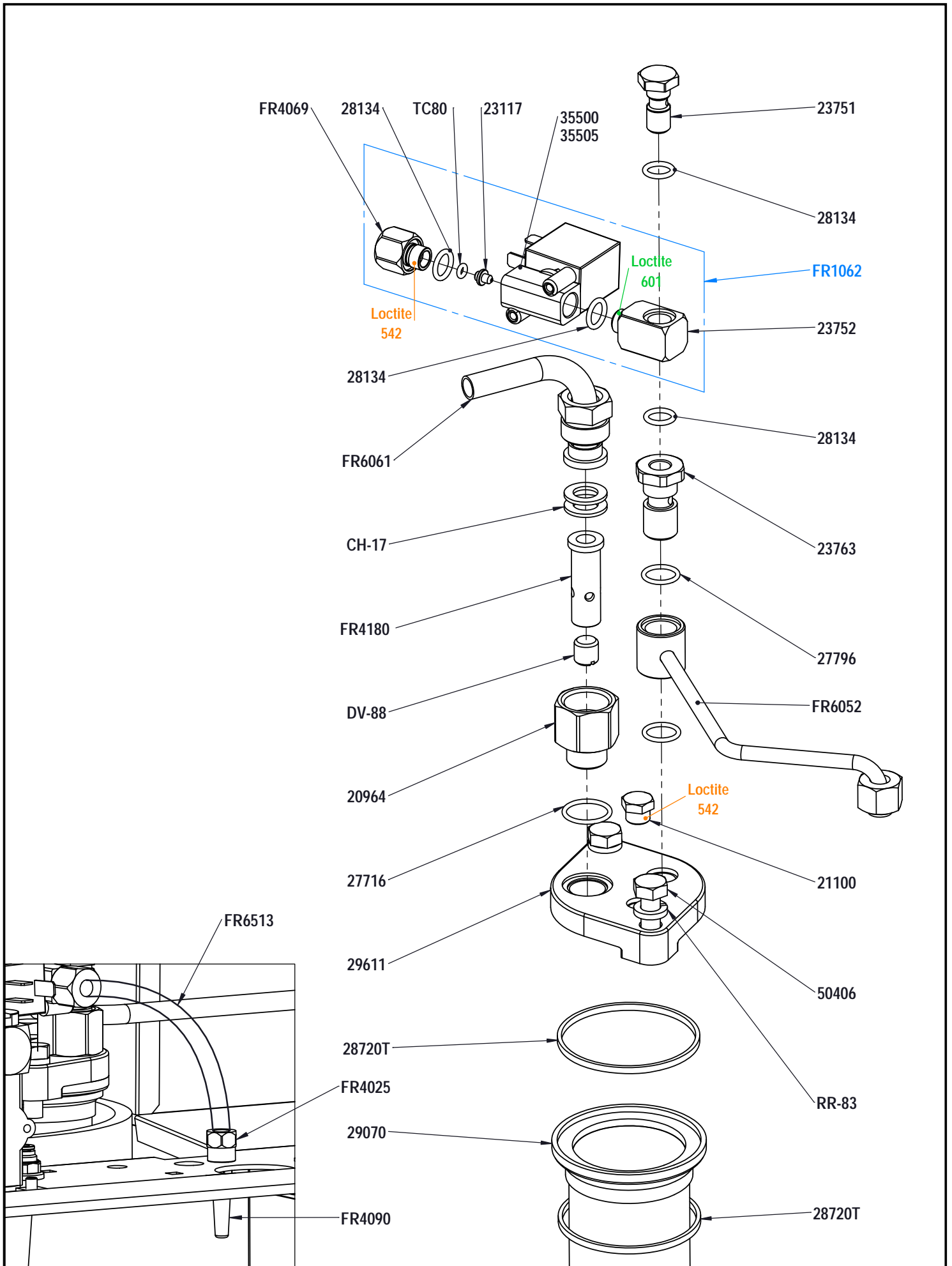
## PLANCHE - PLATE 340

REF	ELUX	DESIGNATIONS FR	DESIGNATIONS GB
12724		TUBE SILICONE D20	SILICONE PIPE
23790		PORTE SONDE EN LAITON	LEVEL PROBE HOLDER
26503		ENSEMBLE NIVEAU SONDE 1/4	LEVEL PROBE 1/4 SET
26520		SONDE DE NIVEAU L=250	LEVEL PROBE
26525		SONDE DE NIVEAU L=212	LEVEL PROBE L=212
26526		SONDE DE NIVEAU HAUT	HIGH LEVEL PROBE
26527		SONDE DE NIVEAU BAS	LOW LEVEL PROBE
27200		SOUPAPE VAPEUR BP 3,5 BARS	LP VALVE 3.5 BARS
27220		SOUPAPE VAPEUR BP 3,5 BARS NSF	LP VALVE 3.5 BARS NSF
29053		RONDELLE ISOLATION CHAUDIERE	BOILER INSULATION WASHER
29055		CHAUDIERE	BOILER
29815		CACHE RESISTANCE	INSULATOR BOOT
29855		ELEMENT CHAUFFANT 230V 4500W	HEATING ELEMENT 230V 4500W
85210		ISOLANT CHAUDIERE	THERMIC INSULATOR
36510MP		CAPTEUR DE PRESSION 0-16b DANFOSS	0-16b PRESSURE SENSOR
36510MPS	OUN063	CAPTEUR DE PRESSION 0-16b SENSATA	0-16b PRESSURE SENSOR
CV-20		JOINT TORIQUE 3,53X66,68 FKM	GASKET - 66.68 x 3.53
CV-3		VIS TH M8 x 20 INOX	S.STEEL SCREW M8 x 20
FR6060		TUBE PLONGEUR EAU CHAUDE	HOT WATER DIVER PIPE
NA-70		BLOCAGE ELECTRODE NIVEAU AUTO	LEVEL PROBE COMPRESSION NUT
NA-71		PORTE-ELECTRODE EN TEFLON	LEVEL PROBE INSULATION
RR-83		RONDELLE GROVER DE 8	WASHER 8
TG4015		RACCORD CAPTEUR DE PRESSION	PRESSURE SENSOR FITTING



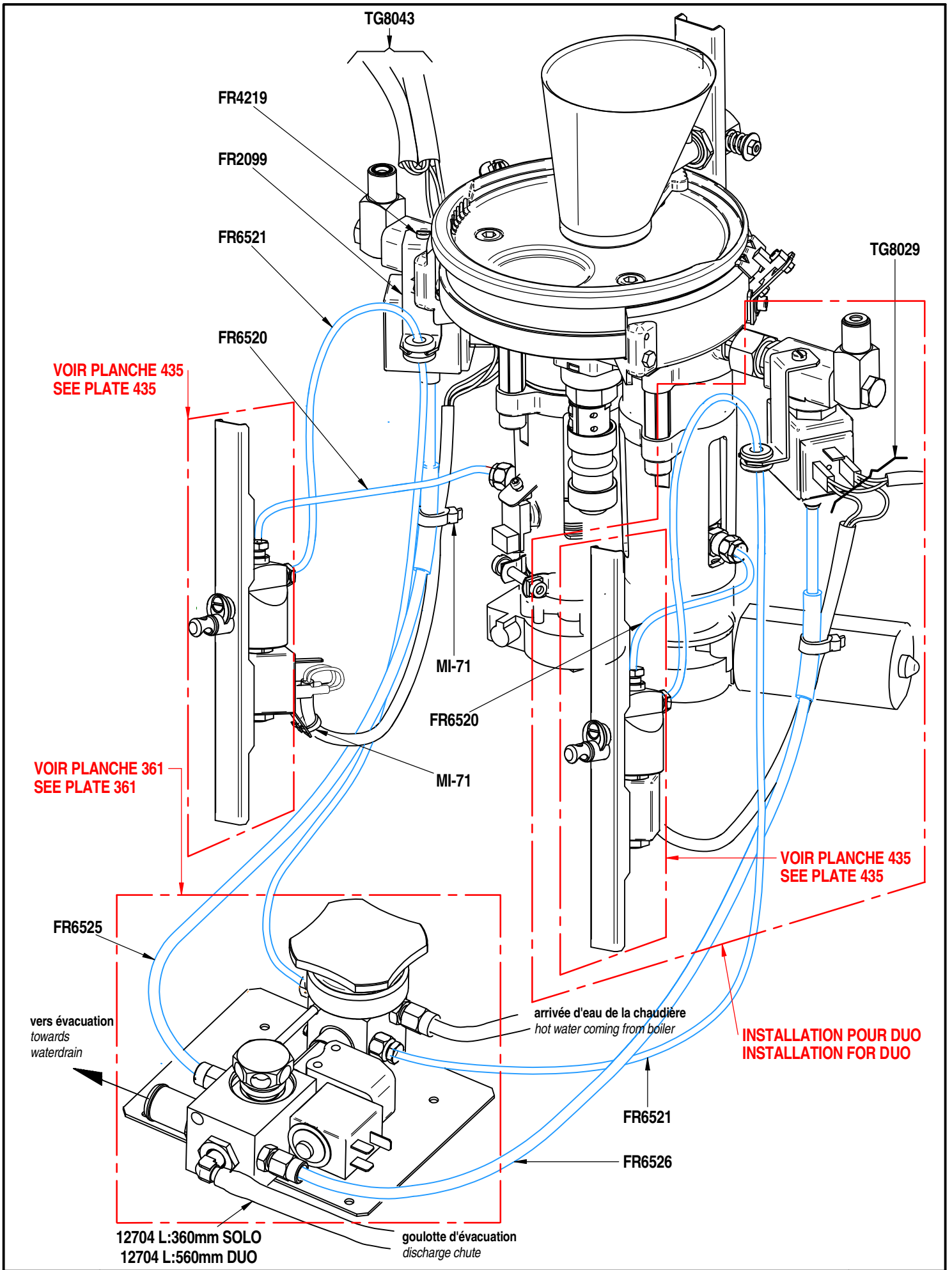
## PLANCHE - PLATE 345

<b>REF</b>	<b>ELUX</b>	<b>DESIGNATIONS FR</b>	<b>DESIGNATIONS GB</b>
20964		RACCORD 3/8M 1/2F	CONNECTION 3/8M 1/2F
21100		BOUCHON 1/8	PLUG 1/8
23117	0UN134	GICLEUR DIAM:0,7	JET DIAM. 0.7
23751	0UN088	AXE DE BANJO 1/8	BANJO SCREW
23752		CORPS DE BANJO 1/8	BANJO BODY FOR UNIT HEAD
23763		AXE BANJO 1/4M - 1/8F	BANJO SCREW 1/4M 1/8F
27716		JOINT TORIQUE 1,78 X 17.17 FKM	GASKET 1,78 X 17.17
27796	0UN023	JOINT TORIQUE 1,78 X 12,42 NEXUS	O RING 1.78 X 12,42
28134	0UN019	JOINT TORIQUE 2X9,5 NEXUS	O RING 2X9,5
29070		CHAUDIERE INTERNE	INTERNAL BOILER
29611		BRIDE DE CHAUDIERE	FLANGE BOILER
35500	0UN080	ELECTROVANNE 2 VOIES 24V D2.3	ELECTROVALVE 2 WAYS 24V D2,3
35505		ELECTROVANNE 2 VOIES 24V NSF	2 WAYS ELECTROVALVE
50406		VIS H M8X25 INOX	S.S SCREW M8X25
28720T		JOINT PLAT PTFE	PTFE FLAT GASKET
CH-17		JOINT CUIVRE RECUIT 1/2	WASHER - COPPER - 1/2
DV-88		BOUCHON	PLUG
FR1062		ENSEMBLE EV AJOUT EAU	ADDING WATER EV SET
FR4025		SORTIE CAFE	COFFEE OUTLET SCREW
FR4069		RACCORD 1/8M M8 X 100	FITTING 1/8M M8 X 100
FR4090		SORTIE AJOUT EAU	WATER ADDING OUTLET
FR4180		TUBE TEFLON ALIM. GROUPE L:36	UNIT FEEDING TUBE L36
FR6052		TUBE GROUPE CAFE	EV COFFEE PIPE
FR6061		TUBE DOSEUR	METERING UNIT PIPE
FR6513		TUBE PTFE SORTIE EAU CHAUDE L:145	OUTLET HOT WATER PIPE L:145mm
RR-83		RONDELLE GROVER DE 8	WASHER 8
TC-80		JOINT TORIQUE 1,78X2,90 FKM	GASKET 1.78X2.90 FKM



## PLANCHE - PLATE 360

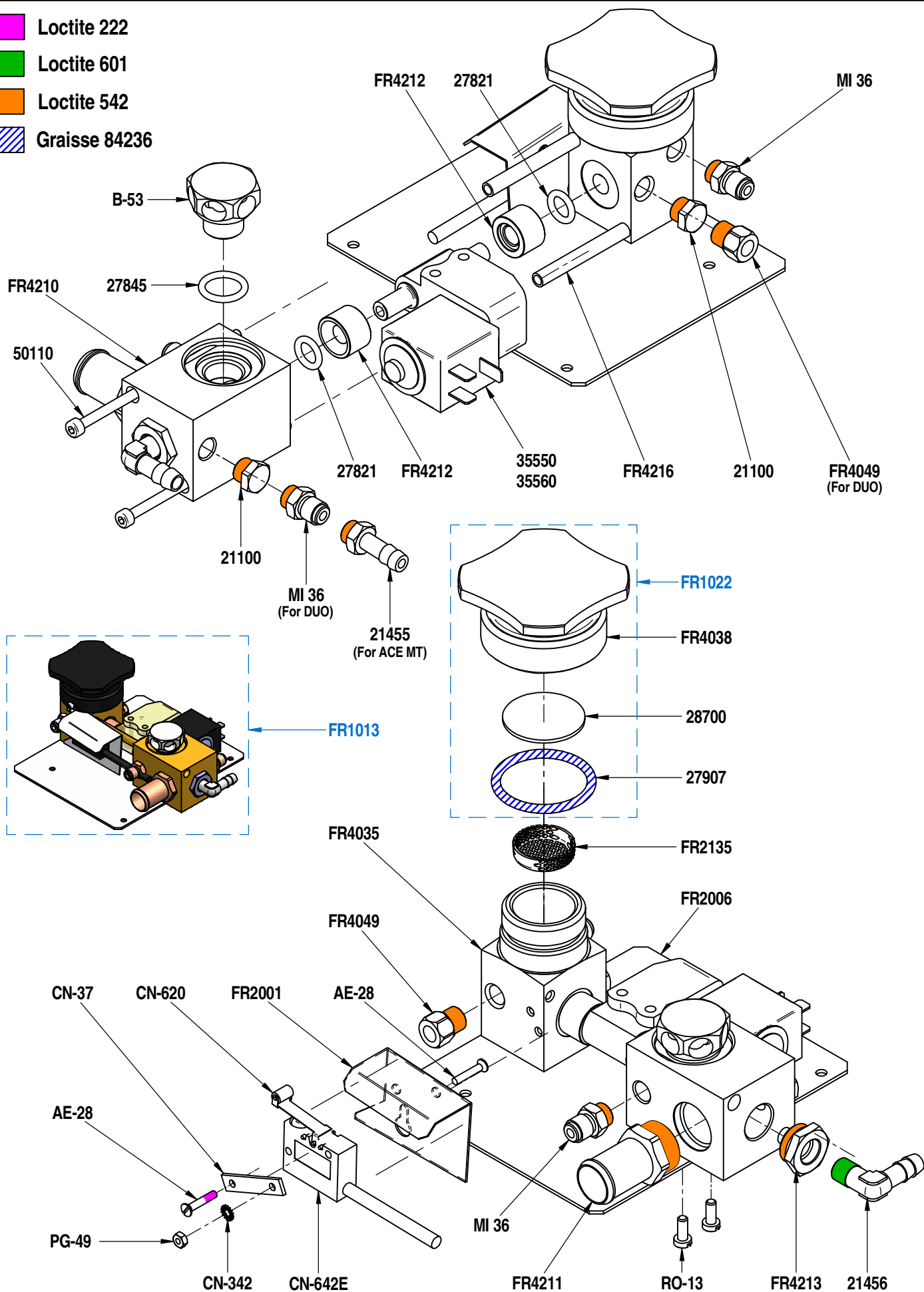
<b>REF</b>	<b>ELUX</b>	<b>DESIGNATIONS FR</b>	<b>DESIGNATIONS GB</b>
12704	0UN041	TUBE SILICONE 7X12	<i>SILICONE PIPE 7X12</i>
FR4219		VIS IMPERDABLE	<i>CAPTIVE SCREW</i>
FR6520	0UN024	TUBE CAFE lg 238 mm	<i>COFFEE PIPE length 238 mm</i>
FR6521		TUBE DETERGENT	<i>DETERGENT PIPE</i>
FR6525		TUBE DE DECOMPRESSION L 400MM	<i>DISCHARGE PIPE L 400MM</i>
FR6526		TUBE DE DECOMPRESSION L 430MM	<i>DISCHARGE PIPE L 430MM</i>
TG8029		CABLE COMMANDES DROITE	<i>RIGHT CONTROL WIRE</i>
TG8043		CABLE CMD EVRE, EVSE ,EVSV,EVKG	<i>EVRE, EVSE, EVSV, EVKG WIRE</i>
MI-71		COLLIER INCOLORE 150 X 3,5mm	<i>COLOURLESS COLLAR 150 x 3,5mm</i>



## PLANCHE - PLATE 361

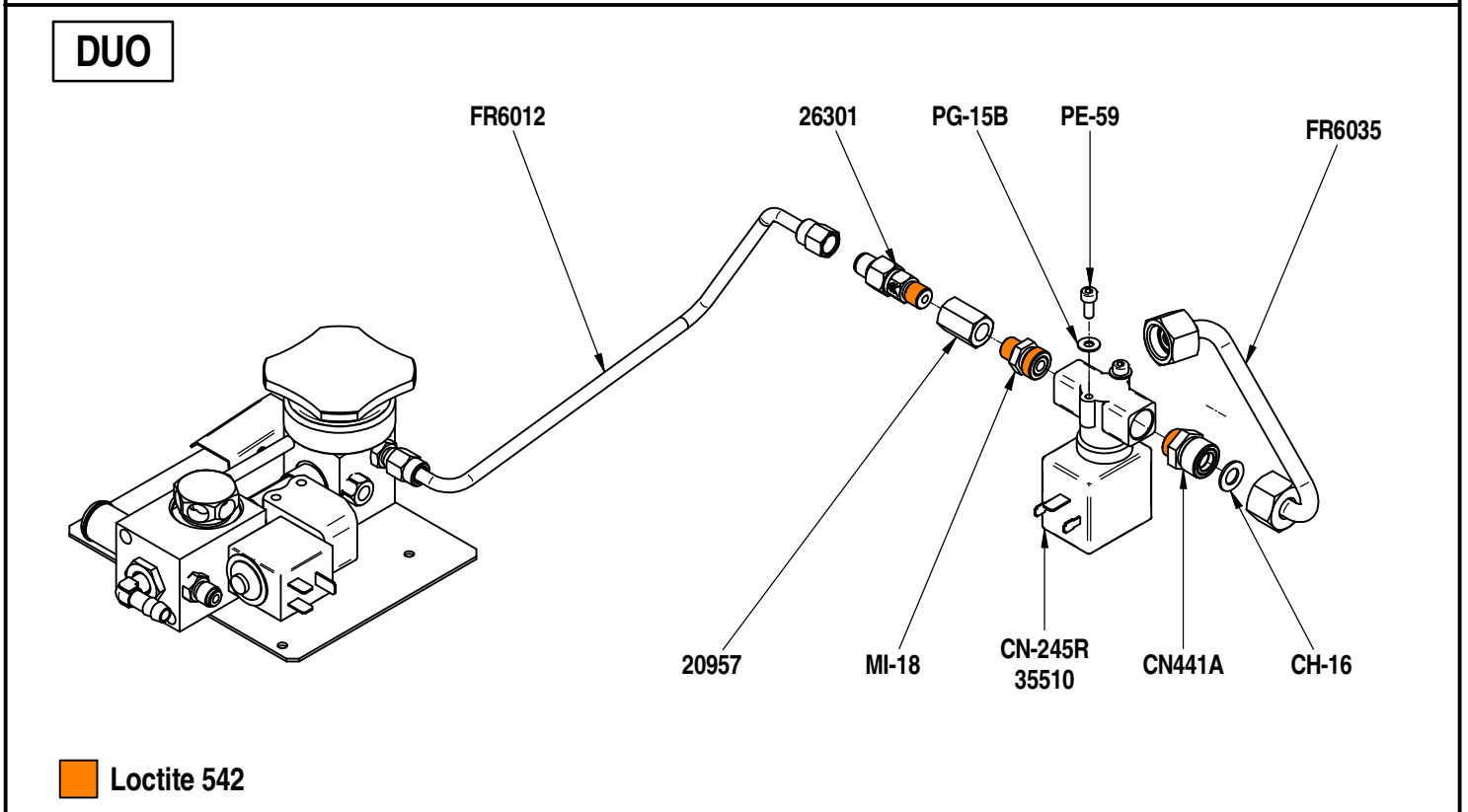
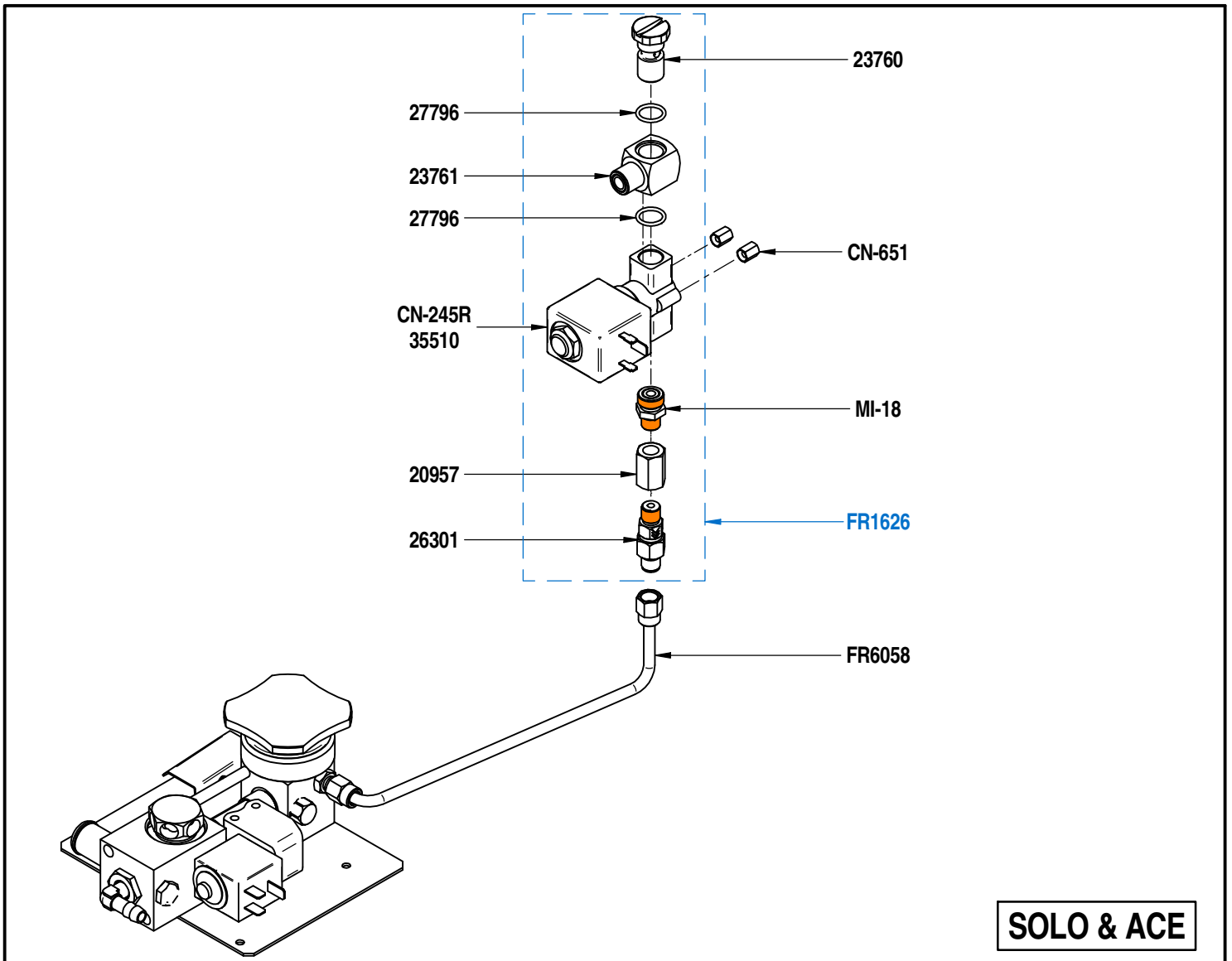
<b>REF</b>	<b>ELUX</b>	<b>DESIGNATIONS FR</b>	<b>DESIGNATIONS GB</b>
21100		BOUCHON 1/8	PLUG 1/8
21455		RACCORD TETINE 1/8M D7	FITTING 1/8M D7
21456		RACCORD COUDE 1/8M D7	FITTING 1/8M D7
27821		JOINT TORIQUE 2,62 X 7,59	O-RING 2,62 X 7,59
27845	0UN144	JOINT TORIQUE 2.62 X 17.13	O-RING 2.62 X 17.13
27907	0UN103	JOINT TORIQUE 3.53 X 34.52 EPDM	GASKET 3.53 X 34.52 EPDM
28700		JOINT PLAT DU BOUCHON	GASKET
35550	0UN022	ELECTROVANNE N.O 24V 50HZ	ELECTROVALVE N.O 24V 50HZ
35560		ELECTROVANNE N.O 24V 60HZ UL	ELECTROVALVE N.O 24V 60HZ UL
50110		VIS Chc M4 X 90	SCREW M4 X 90
AE-28		VIS TF M3 X 16	SCREW M3 X 16
B-53		ECROU CHROME BLOCAGE BASSINE	OVERFLOW-TRAY LOCK NUT
CN-342		RONDELLE EVENTAIL 3	WASHER 3
CN-37		PATTE INOX FIXATION MINIRUPT.	MICROSWITCH HOLDING BAR
CN-620		LEVIER AV.RESSORT 161E r=24,1	LEVER WITH CASTOR
CN-642E		MINIRUPTEUR ETANCHE	WATERPROOF MICROSWITCH
FR1013		BLOC NETTOYAGE	CLEANING BLOCK
FR1022		KIT BOUCHON DE NETTOYAGE	CLEANING PLUG
FR2001		TOLE MICROSWITCH	MICROSWITCH HOLDER
FR2006		TOLE SUPPORT COLLECTEURS	COLLECTOR HOLDER
FR2135		GRILLE DU BLOC PASTILLE	GRID
FR4035		BLOC PASTILLE	CLEANING BLOC
FR4038	0UN033	BOUCHON DU NETTOYAGE	CLEANING CAP
FR4049		RACCORD 1/8M M8 X 100	FITTING 1/8M M8 X 100
FR4210		BLOC VIDANGE 40X40	BLOCK DRAIN
FR4211		TETINE LATERALE D'EVACUATION	NIPPLE DISCHARGE SIDE
FR4212		RACCORD LISSE	SMOOTH FITTING
FR4213		REDUCTION 3/8" 1/8"	REDUCTION 3/8" 1/8"
FR4216		ENTRETOISE D6X1	SPACER D6X1
MI-36		RACCORD 1/8M 1/8M	CONNECTION 1/8
PG-49		ECROU INOX Hu DE 3	NUT M3
RO-13		VIS INOX TC 4 x 10	SCREW M4 X 10 -

- Loctite 222
- Loctite 601
- Loctite 542
- Graisse 84236



## PLANCHE - PLATE 362

<b>REF</b>	<b>ELUX</b>	<b>DESIGNATIONS FR</b>	<b>DESIGNATIONS GB</b>
20957		RACCORD DROIT 1/8G	<i>FITTING 1/8G</i>
23760		AXE BANJO 1/4	<i>BANJO SCREW 1/4</i>
23761		CORPS DE BANJO 1/4	<i>BANJO BODY 1/4</i>
26301	0UN030	CLAPET ANTI-RETOUR 1/8	<i>NO RETURN VALVE 1/8</i>
27796	0UN023	JOINT TORIQUE 1,78 X 12,42 NEXUS	<i>O RING 1.78 X 12,42</i>
35510		EV 2 VOIES 24V NSF	<i>ELECTROVALVE 2 WAYS 24V NSF</i>
CH-16		JOINT CUIVRE RECUIT 3/8	<i>WASHER - COPPER - 3/8</i>
CN-245R		ELECTROVANNE 2V 24V-50/60Hz	<i>ELECTROVALVE 2W 24V-50/60Hz</i>
CN-441A		RACCORD 1/4M-3/8M	<i>FITTING 1/4 3/8</i>
CN-651		ENTRETOISE COURTE DU C.I.	<i>SHORT SPACER FRAME</i>
FR1626		BLOC NETTOYAGE CAFE SOLO	<i>CLEANING COFFEE BLOCK</i>
FR6012		TUBE ALIMENTATION BLOC PASTILLE(S)	<i>CLEANING DEVICE FEEDING PIPE</i>
FR6035		TUBE ALIM. EV NETTOYAGE GROUPE	<i>CLEANING EV FEEDING PIPE</i>
FR6058		TUBE NETTOYAGE GROUPE CAFE	<i>COFFEE CLEANING PIPE</i>
MI-18		RACCORD MM 1/4 - 1/8 G	<i>FITTING - 1/8 x 1/4</i>
PE-59		VIS TCHC M4x10 INOX	<i>SCREW 4 X 10</i>
PG-15B		RONDELLE INOX 4.2X10X0.8	<i>WASHER</i>



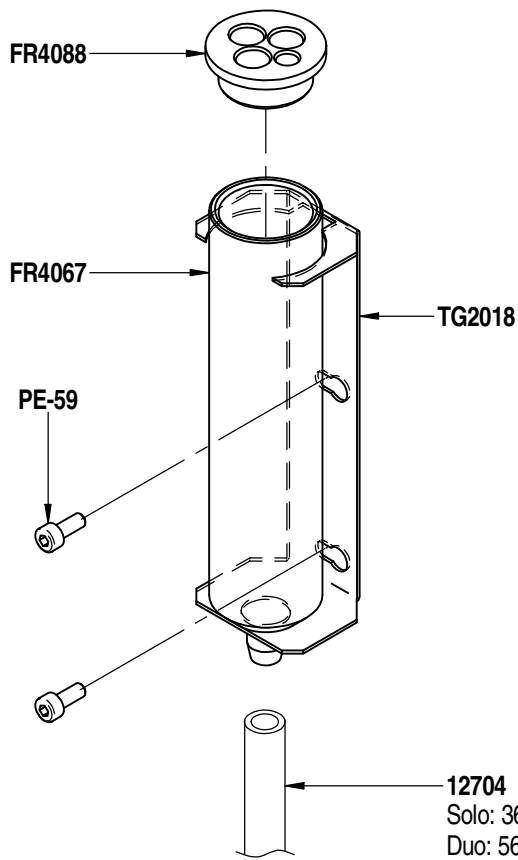
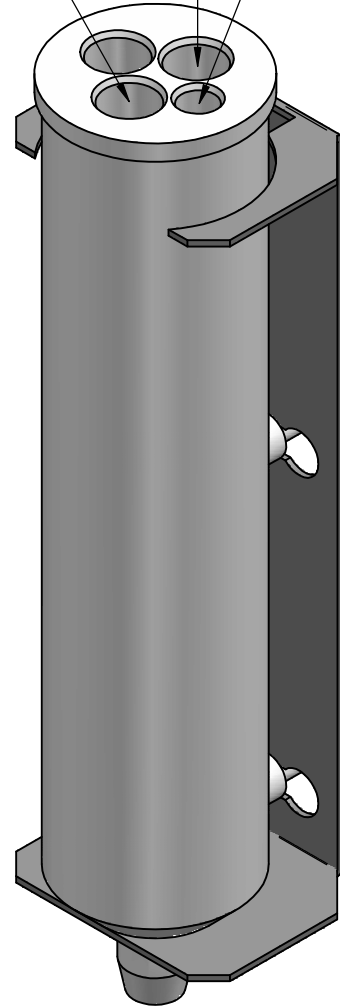
## PLANCHE - PLATE 370

<b>REF</b>	<b>ELUX</b>	<b>DESIGNATIONS FR</b>	<b>DESIGNATIONS GB</b>
12704	OUN041	TUBE SILICONE 7X12	SILICONE PIPE 7X12
FR4067		GOULOTTE EVACUATION	DRAIN CHUTE
FR4088		BOUCHON DE GOULOTTE 4T	DRAIN CHUTE CAP 4 HOLES
PE-59		VIS TCHC M4x10 INOX	SCREW 4 X 10
TG2018		SUPPORT GOULOTTE	DRAIN CHUTE HOLDER

Décompression EV sortie vapeur  
Steam outlet EV discharge

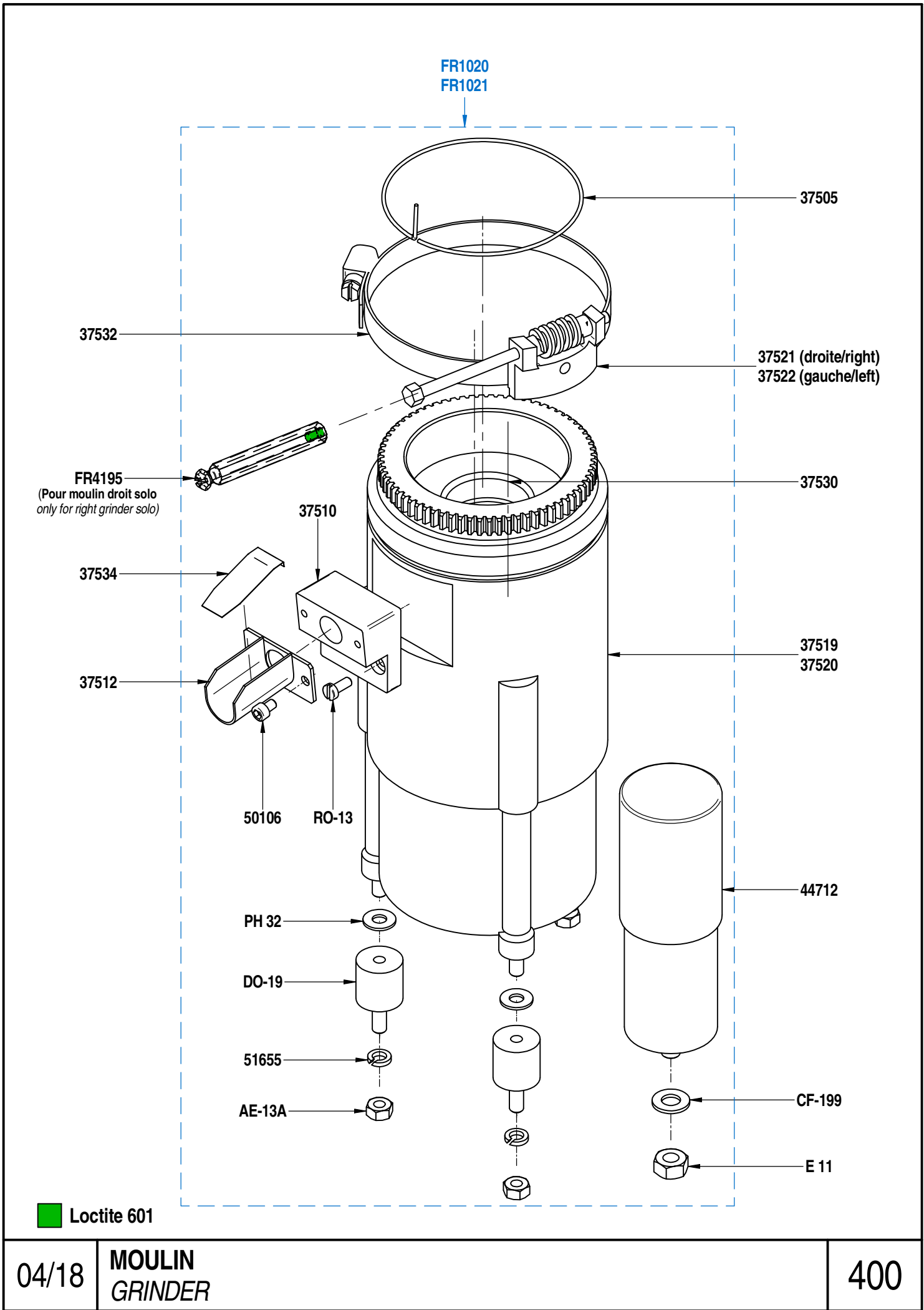
Décompression Cappuccino / module lait  
Cappuccino / milk module discharge

Soupape HP  
HP valve



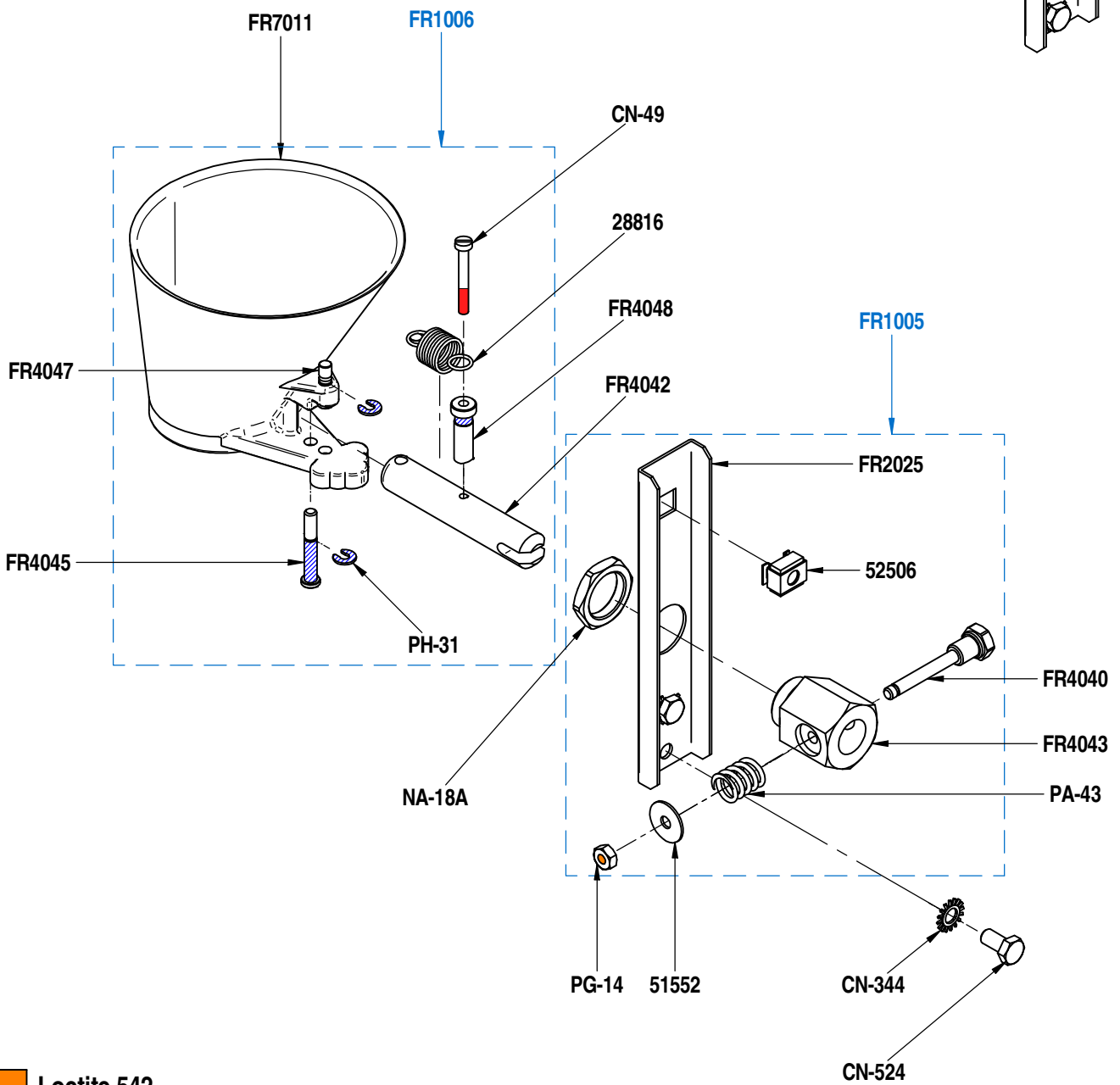
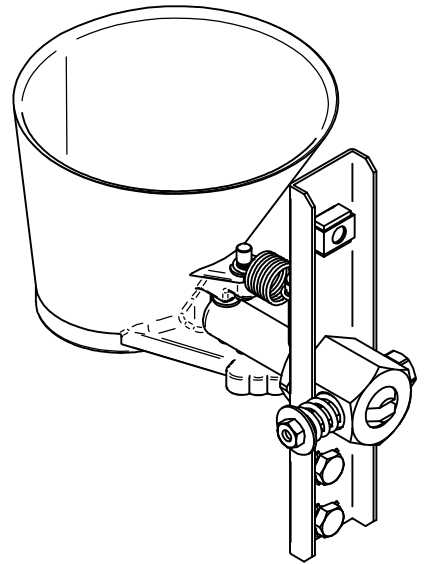
## PLANCHE - PLATE 400




REF	ELUX	DESIGNATIONS FR	DESIGNATIONS GB
37505		RESSORT BUTEE DE REGLAGE	RING
37510		ENTRETOISE BEC MOULIN	SPACER
37512		BEX INOX	GRINDER SPOUT
37519		MOULIN INC. D.80 220-230/50-60Hz AC UL GAUCHE	GRINDER INC. D.80 220-230/50-60Hz AC UL LEFT
37520		MOULIN INC. D.80 220-230/50-60Hz AC UL DROIT	GRINDER INC. D.80 220-230/50-60Hz AC UL RIGHT
37521		VIS DE REGLAGE MEULES A DROITE	RIGHT ADJUSTING SCREW
37522		VIS DE REGLAGE MEULES A GAUCHE	LEFT ADJUSTING SCREW
37530		JEU DE MEULE	GRINDING WHEEL SET
37532		COLLIER DE SERRAGE	CLAMP
37534		LANGUETTE SORTIE BEC	LAMINATED SPRING
44712		CONDENSATEUR 16 $\mu$ F	CAPACITOR 16 $\mu$ F
50106		VIS TCHc M4 x 6	SCREW M4 X 6
51655		RONDELLE GROWER DE 6	WASHER 6
AE-13A		ECROU INOX Hu 6-100	NUT M6
CF-199		RONDELLE ACIER ZN 8x22x1,5	STEEL WASHER 8x22x1,5
DO-19		PLOT APB 20-20	SILENTBLOC
E-11		ECROU ACIER Hu de 8	NUT M8
FR1020		ENSEMBLE MOULIN DROIT	RIGHT GRINDER ASSEMBLY
FR1021		ENSEMBLE MOULIN GAUCHE	LEFT GRINDER ASSEMBLY
FR4195		PROLONGATEUR REGLAGE MOULIN	GRINDER ADJUSTING EXTENSION
PH-32		RONDELLE ACIER Zn 6,25x14x1,2	WASHER
RO-13		VIS INOX TC 4 x 10	SCREW M4 X 10 -



## PLANCHE - PLATE 410

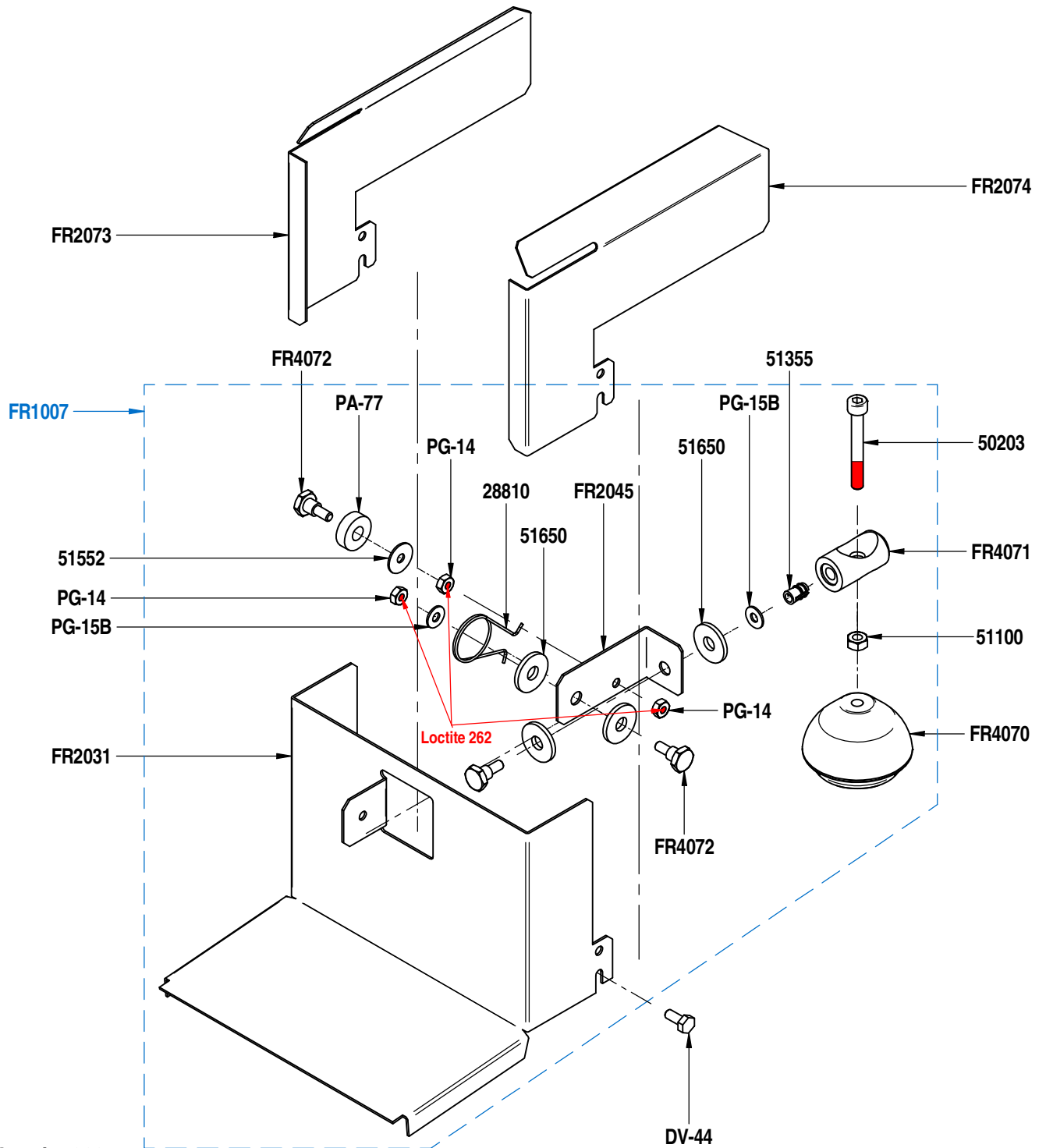
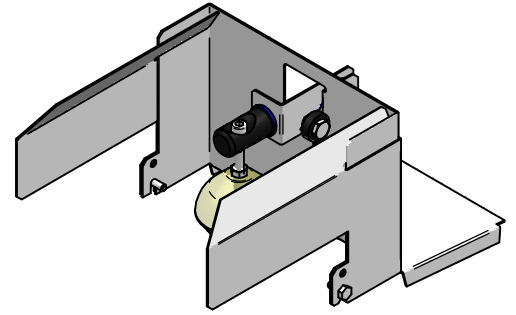
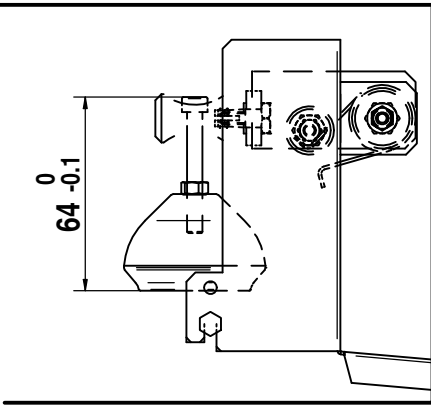
<b>REF</b>	<b>ELUX</b>	<b>DESIGNATIONS FR</b>	<b>DESIGNATIONS GB</b>
28816		RESSORT ENTONNOIR	<i>FUNNEL SPRING</i>
51552		RONDELLE INOX 4.25x14x0.8	<i>S..STEEL WASHER 4.25x14x0.8</i>
52506		ECROU CAGE M6 X ep 1	<i>INSERT NUT M6</i>
CN-344		RONDELLE EVENTAIL DE 5	<i>LOCK WASHER 5</i>
CN-49		VIS TC M3X25	<i>SCREW M3 X 25</i>
CN-524		VIS INOX TH 5 x 10	<i>SCREW M5 X 10</i>
FR1005		ENTONNOIR PARTIE FIXE	<i>FUNNEL FIXED KIT</i>
FR1006		KIT ENTONNOIR PARTIE MOBILE	<i>FUNNEL MOBILE KIT</i>
FR2025		TOLE SUPPORT ENTONNOIR	<i>FUNNEL HOLDER</i>
FR4040		AXE DE VERROUILLAGE ENTONNOIR	<i>LOCKING ROD</i>
FR4042		AXE ENTONNOIR	<i>HOLDER ROD</i>
FR4043		CORPS SUPPORT ENTONNOIR	<i>FUNNEL HOLDER BODY</i>
FR4045		AXE DE ROTATION ENTONNOIR	<i>ROTATING AXLE</i>
FR4047		AXE MOBILE	<i>AXLE</i>
FR4048		AXE FIXE	<i>AXLE</i>
FR7011		ENTONNOIR	<i>FUNNEL</i>
NA-18A		ECROU LAITON 3/8 4 mm	<i>3/8 NUT</i>
PA-43		RESSORT F15/10 L14,5 D10,5 P3	<i>SPRING</i>
PG-14		ECROU M4	<i>NUT M4</i>
PH-31		ANNEAU TRUARC	<i>TRUARC RING</i>



-  Loctite 542
-  Loctite 262
-  Graisse 84236

## PLANCHE - PLATE 415

<b>REF</b>	<b>ELUX</b>	<b>DESIGNATIONS FR</b>	<b>DESIGNATIONS GB</b>
28810		RESSORT NETTOYEUR	<i>SPRING</i>
50203		VIS CHC M5 X 45 INOX	<i>SCREW M5 X 40</i>
51100		ECROU M5 INOX	<i>NUT M5</i>
51355		INSERT M4D LAITON L:9.5	<i>INSERT M4</i>
51552		RONDELLE INOX 4.25x14x0.8	<i>S..STEEL WASHER 4.25x14x0.8</i>
51650		RONDELLE 6 6.4x18x2 NYLON	<i>WASHER DIAM. 6 NYLON</i>
DV-44		VIS TH M4X10 ACIER	<i>SCREW M4x10</i>
FR1007		ENSEMBLE BALANCIER	<i>PENDULUM KIT</i>
FR2031		TOLE SUPPORT BALANCIER	<i>CLEANING BALL HOLDER</i>
FR2045		EQUERRE SUPPORT NETTOYEUR	<i>RIGHT ANGLE BRACKET</i>
FR2073		TOLE ANTIPLASH GAUCHE	<i>ANTI SPLASH PLATE LEFT</i>
FR2074		TOLE ANTIPLASH DROITE	<i>ANTI SPLASH PLATE RIGHT</i>
FR4070		BOULE NETTOYEUR	<i>CLEANING BALL</i>
FR4071		AXE SUPPORT BOULE NETTOYEUR	<i>CLEANING BALL AXLE</i>
FR4072		VIS EPAULEE M4	<i>SCREW M4</i>
PA-77		JOINT 6,5 x 16 x 5	<i>GASKET 6,5 X 16 X 5</i>
PG-14		ECROU M4	<i>NUT M4</i>
PG-15B		RONDELLE INOX 4.2X10X0.8	<i>WASHER</i>

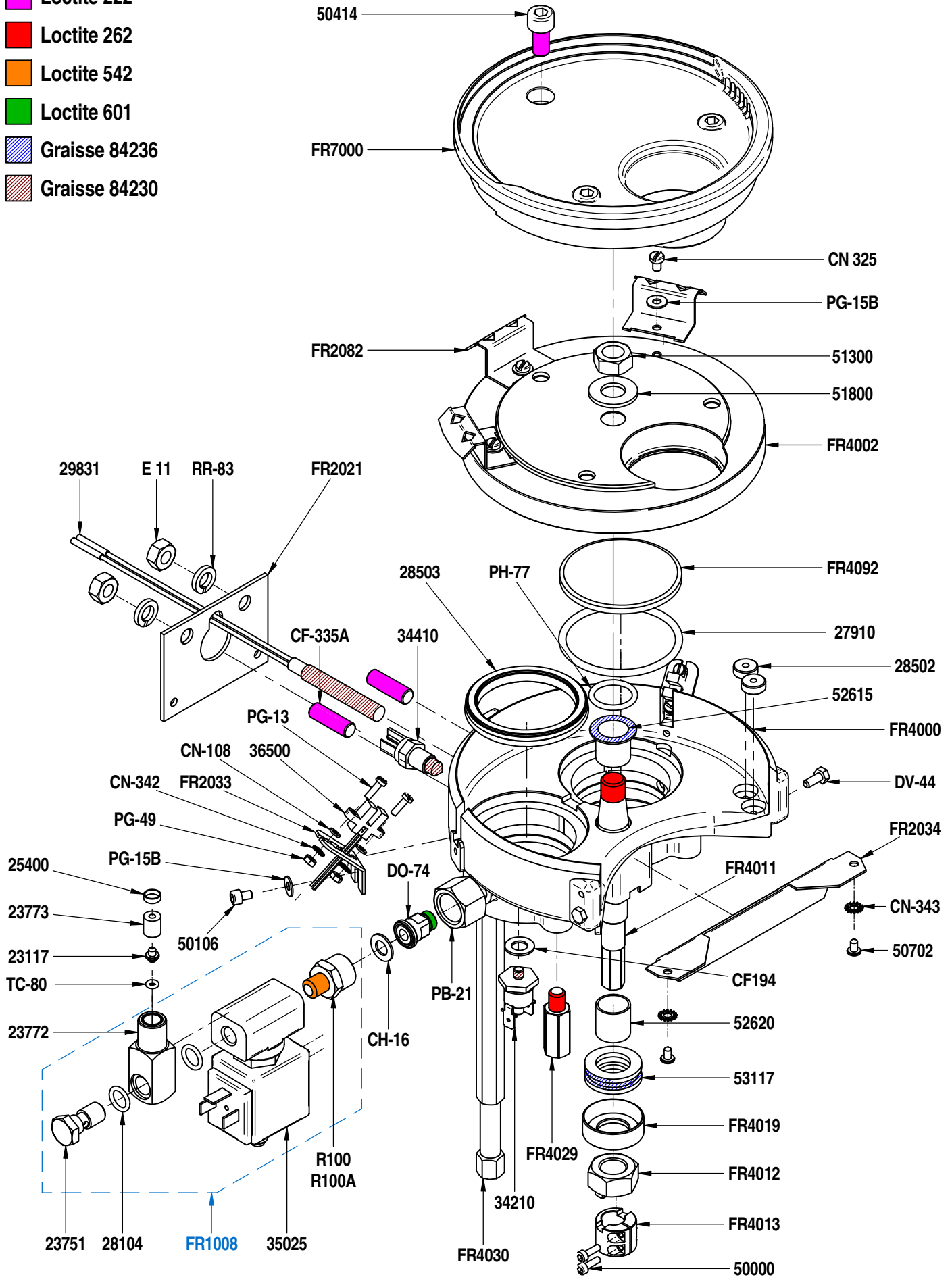


 Loctite 262

## PLANCHE - PLATE 420



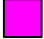



REF	ELUX	DESIGNATIONS FR	DESIGNATIONS GB
23117	0UN134	GICLEUR DIAM:0,7	JET DIAM. 0.7
23751	0UN088	AXE DE BANJO 1/8	BANJO SCREW
23772		CORPS DE BANJO GROUPE 1/4	BANJO BODY 1/4 FOR UNIT
23773		SUPPORT GICLEUR	JET HOLDER
25400	0UN124	FILTRE INOX	FILTER
27910		JOINT TORIQUE 3.53 X 53.37	GASKET
28104	0UN146	JOINT TORIQUE 2X9,5 FKM 80SH	GASKET 2X9,5
28502		BUTEE PLATEAU	BASE DIA: 12
28503		JOINT PLATEAU COMPLET	GASKET UNIT
29831	0UN032	CARTOUCHE CHAUFFANTE 200W-230V	HEATING ELEMENT 200W-230V
34210	0UN105	SECURITE THERMIQUE température 115°C	SAFETY THERMOSTAT 115°C
34410	0UN117	SONDE THERMOSTATIQUE	THERMOSTATIC PROBE
35025	0UN129	EV 3 VOIES 24V D1.2	EV 3 WAYS 24V D1.2
36500		CAPTEUR A FOURCHE EFFET HALL	FORK SENSOR
50000		VIS TCHC M3 X 10	SCREW M3 X 10
50414		VIS CHC M8 X 14	SCREW M8 X 14
50702		VIS TOLE TC INOX N°6 X 6.4	SCREW
51300		ECROU M12 X 125	NUT M12 X 125
51800		RONDELLE 12 X 24 X 2 INOX	WASHER 12
52615		COUSSINET XFM-1517-17	BEARING XFM 1517-15
52620		PALIER LISSE XSM 1517-15	BEARING XSM 1517-15
53117		BUTEE A BILLE 51102 d28xd15x9	THRUST BALL BEARING 28X15X16
CF-194		RONDELLE LAITON DE 5 MOYENNE	WASHER
CF-335A		VIS INOX STHC 8 X 25	SCREW M8x25 STAINLESS STEEL
CH-16		JOINT CUIVRE RECUIT 3/8	WASHER - COPPER - 3/8
CN-108		RONDELLE LAITON Z3	WASHER
CN-325		VIS INOX TC 4 x 6	SCREW M4 X 6
CN-342		RONDELLE EVENTAIL 3	WASHER 3
CN-343		RONDELLE EVENTAIL 4	WASHER 4
DO-74		RACCORD SOUPAPE HP	H.P VALVE CONNECTION
DV-44		VIS TH M4X10 ACIER	SCREW M4x10
E-11		ECROU ACIER Hu de 8	NUT M8
FR1008		ELECTROVANNE CAFE	COFFEE ELECTROVALVE
FR2021		TOLE ENTRETOISE 2 mm	PLATE
FR2033		TOLE SUPPORT CAPTEUR PLATEAU	SENSOR HOLDER
FR2034		DEFLECTEUR EJECTION	EJECTION PLATE
FR2082		TOLE POSITION PLATEAU LARGE	WIDE TURNABLE TOP PLATE
FR4000		CORPS DE GROUPE	UNIT BODY
FR4002		PLATEAU INOX	STAINLESS STEEL TURNTABLE
FR4011		AXE PLATEAU	TURNABLE AXLE
FR4012		ECROU A TETONS	BREAST NUT
FR4013		BAGUE DE BLOCAGE	BLOCKING RING
FR4019		PROTECTION BUTEE A BILLE	BEARING COVER
FR4029		ENTRETOISE M8	SCREW M8
FR4030	0UN100	VIS TH M8 X 20 L 180	SCREW M8 X 20 L:180
FR4092		JOINT OBTURAPTEUR PISTON	GASKET
FR7000		PLATEAU PLASTIQUE	PLASTIC TURNTABLE
PB-21		ECROU 3/8 LAITON	FITTING 3/8
PG-13		VIS TC M3x10	SCREW M3 X 10
PG-15B		RONDELLE INOX 4.2X10X0.8	WASHER
PG-49		ECROU INOX Hu DE 3	NUT M3
PH-77	0UN097	JOINT TORIQUE 18.72 x 2.62	O-RING 18.72 X 2,62
R-100		RACCORD LAITON	FITTING
R-100A		RACCORD LAITON SP	FITTING SP
RR-83		RONDELLE GROVER DE 8	WASHER 8
TC-80		JOINT TORIQUE 1,78X2,90 FKM	GASKET 1.78X2.90 FKM

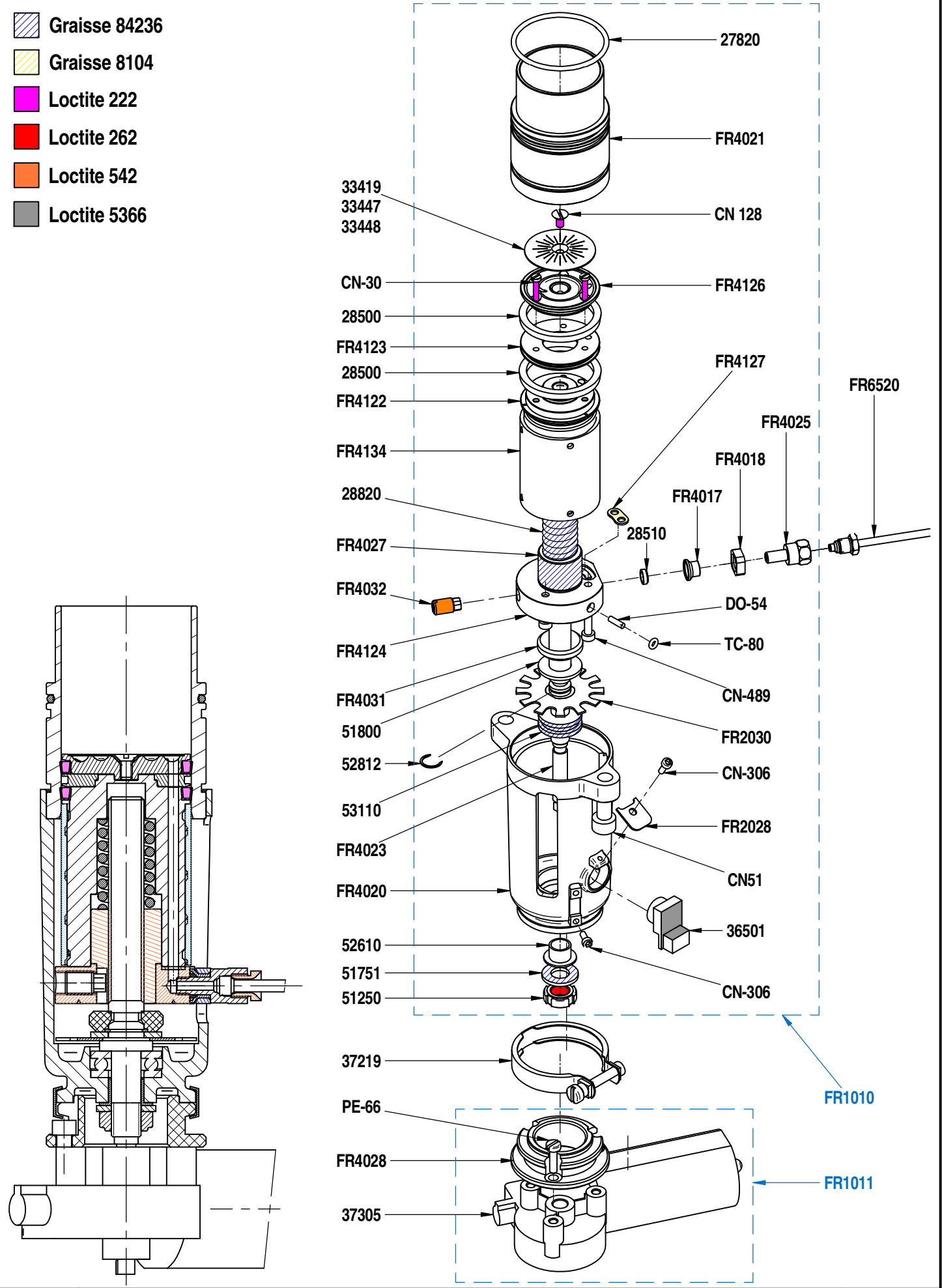
- Loctite 222
- Loctite 262
- Loctite 542
- Loctite 601
- Graisse 84236
- Graisse 84230



## PLANCHE - PLATE 425

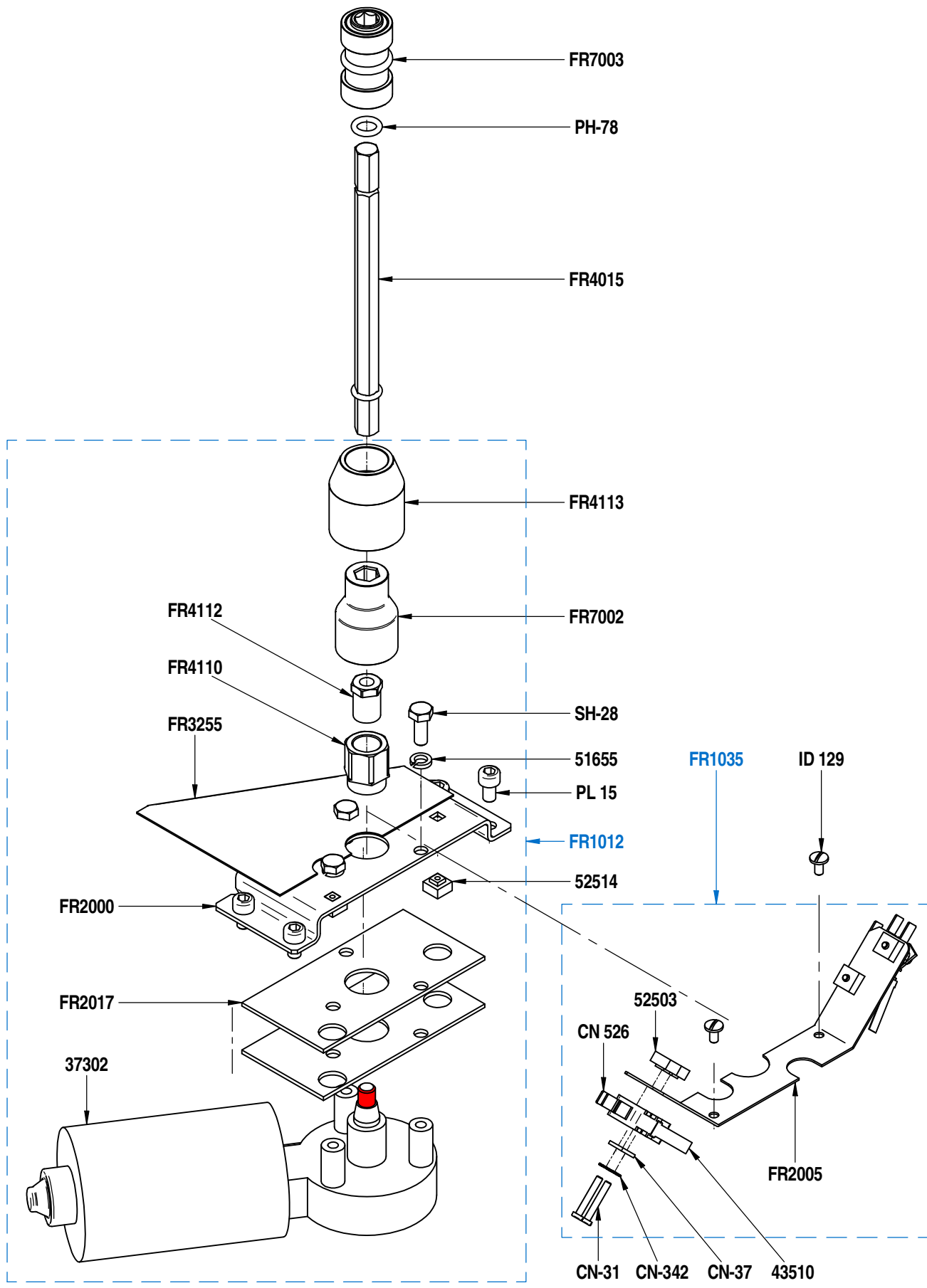
REF	ELUX	DESIGNATIONS FR	DESIGNATIONS GB
27820		JOINT TORIQUE 2,62 X 47.29 EPDM	GASKET 2.62 X 47.29 EPDM
28500		JOINT A LEVRE PISTON Ø37.5	GASKET Ø 37.5
28510		JOINT PLAT DE SORTIE CAFE	FLAT GASKET
28820		RESSORT ACIER d19.20 X L40 Df:3.2	SPRING Do:19.20 X df:3.2 Lo:40
33419		FILTRE CAFE 24 - 180 STANDARD	COFFEE FILTER 24 -180 STANDARD
33447		FILTRE CAFE 1 TASSE 24 FENTES SELF	COFFEE FILTER 1 CUP 24 SLOTS SELF
33448	OUN139	FILTRE CAFE 48 FENTES EXPORT	COFFEE FILTER 48 SLOTS EXPORT
36501	OUN111	CAPTEUR Ø16	SENSOR Ø16
37305		MOTOREDUCTEUR 24V 500tr/mn	MOTOREDUCER 24V 500 rpm
51250		ECROU M10 X 75	NUT M10 X 75
51751		RONDELLE 10.2 X 20 X 2	WASHER 10
51800		RONDELLE 12 X 24 X 2 INOX	WASHER 12
52610		COUSSINET XFM 10-12-9	BEARING 10-12-9
52812		ANNEAU DIAM 12 EP 0,6	RING DIAM 12 EP 0,6
53110		BUTEE A BILLE 51100 d24xd10x9	THRUST BALL BEARING 24X10X9
CN-128		VIS INOX TF M4 X 8	SCREW M4 X 8
CN-30		VIS INOX TC 3 x 16	SCREW M3 X 16
CN-306		VIS INOX TCHC 3 x 8	SCREW M3 X 8
CN-489		VIS INOX CHC 4 x 16	SCREW M4 X 16
37219		COLLIER POUR POMPE FLUIDOTECH	CLAMP
DO-54		AIMANT DIAM 3 L:10mm	MAGNET DIA:3 L:10mm
FR1010	OUN020	ENSEMBLE PISTON SANS MOTEUR	PISTON ASSEMBLY WITHOUT MOTOR
FR1011	OUN110	ENSEMBLE MOTEUR PISTON	PISTON MOTOR ASSEMBLY
FR2028		TOLE BRIDE	SENSOR HOLDER
FR2030		ROUE CODEUSE ACIER ZINGUE	CODING WHEEL
FR4017		ENTRETOISE DE CLAVETTE	COTTER SPACER
FR4018		CLAVETTE AUTOLUBRIFIANTE	SELF-LUBRICATING COTTER
FR4020		SUPPORT MOTEUR	MOTOR HOLDER
FR4021		CHEMISE	INFUSION CHAMBER
FR4023		AXE DU PISTON	PISTON AXLE
FR4025		SORTIE CAFE	COFFEE OUTLET SCREW
FR4027		ECROU Tr 12 X 3	NUT TR 12 X 3
FR4028		COLERETTE DE FIXATION	PLASTING RING
FR4031		BUTEE PLASTIQUE	THRUST
FR4032		VIS TETON M8 X 100	SCREW M8 X 100
FR4122		PISTON	PISTON
FR4123		RONDELLE SUPPORT JOINT	WASHER HOLDER GASKET
FR4124		RONDELLE SORTIE CAFE	COFFEE OUTLET RING
FR4126		PIECE SUPERIEURE	UPPER PART
FR4127		JOINT HARICOT	FLAT SEAL
FR4134		BAGUE PTFE	RING PTFE
FR6520	OUN024	TUBE CAFE lg 238 mm	COFFEE PIPE length 238 mm
PE-66		VIS TC M5 X 16 INOX	SCREW M5 X 16
TC-80		JOINT TORIQUE 1,78X2,90 FKM	GASKET 1.78X2.90 FKM

-  Graisse 84236
-  Graisse 8104
-  Loctite 222
-  Loctite 262
-  Loctite 542
-  Loctite 5366



## PLANCHE - PLATE 430

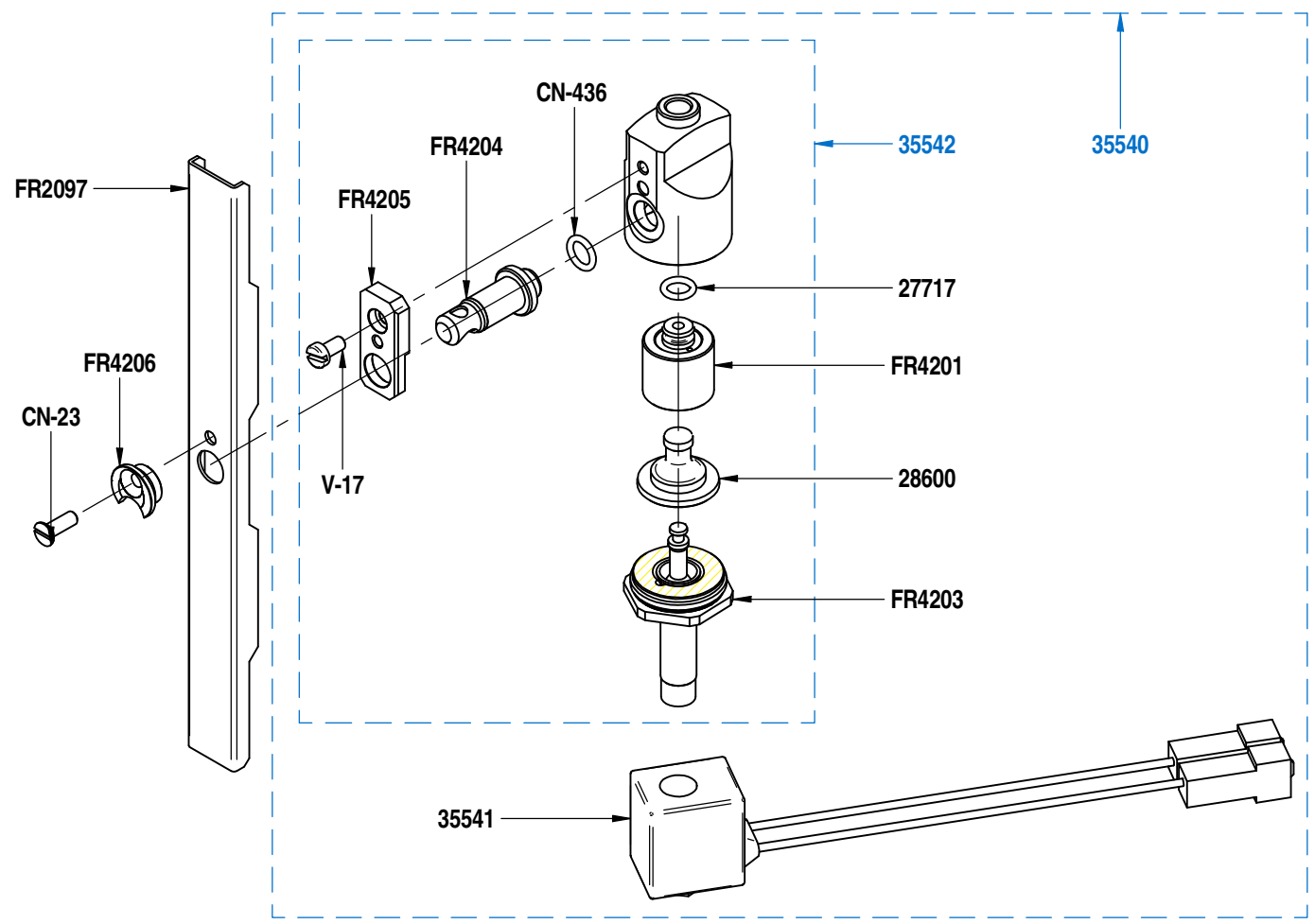
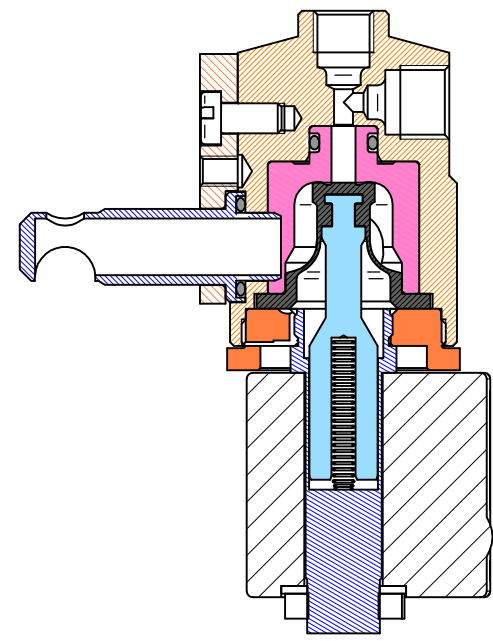
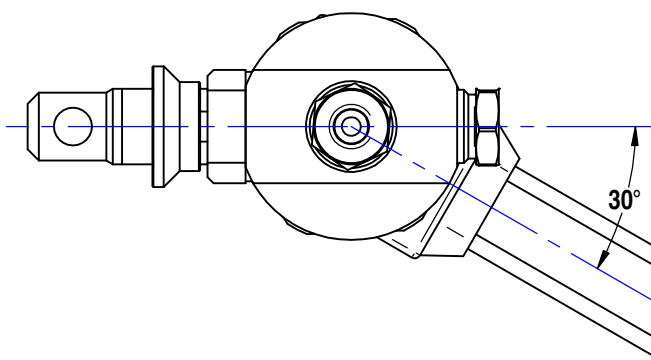
<b>REF</b>	<b>ELUX</b>	<b>DESIGNATIONS FR</b>	<b>DESIGNATIONS GB</b>
37302		MOTOREDUCTEUR MFD351 (avec câbles)	<i>MOTOREDUCER 24V MFD351 (with wires)</i>
43510	OUN081	LEVIER PLAT MICRORUPTEUR	<i>LEVER FOR MICROSWITCH</i>
51655		RONDELLE GROWER DE 6	<i>WASHER 6</i>
52503		ECROU EN CAGE M3 pour ep 1	<i>NUT M3</i>
52514	OUN037	ECROU RAPIDE M4 EP:2	<i>NUT M4</i>
CN-31		VIS TC M3 X 20 INOX	<i>SCREW M3 X 20</i>
CN-342		RONDELLE EVENTAIL 3	<i>WASHER 3</i>
CN-37		PATTE INOX FIXATION MINIRUPT.	<i>MICROSWITCH HOLDING BAR</i>
CN-526		MINIRUPTEUR SECU EAU MARRON	<i>WATER SAFETY MINI SWITCH</i>
FR1012		ENSEMBLE MOTEUR PLATEAU	<i>TURNTABLE MOTOR ASSEMBLY</i>
FR1035		SECURITE BAC A MARC	<i>DRAWER SAFETY</i>
FR2000		TOLE SUPPORT MOTEUR	<i>MOTOR HOLDER</i>
FR2005		SUPPORT SECURITE BAC A MARC	<i>DRAWER SAFETY HOLDER</i>
FR2017		TOLE ENTRETOISE MOTEUR MFD351	<i>STIFFENER STHEETMETAL</i>
FR3255		TOLE PROTECTION MOTEUR	<i>MOTOR PROTECTION</i>
FR4015		AXE DE TRANSMISSION APRES 04/02	<i>AXLE AFTER 04/2002</i>
FR4110		ACCOUPEMENT MOTEUR MFD351	<i>MOTOREDUCER GANGING</i>
FR4112		ECROU ACCOUPLEMENT MOTEUR	<i>MOTOREDUCER GANGING NUT</i>
FR4113		RENFORT ALU ACCOUPLEMENT	<i>REINFORCE COUPLING STAINLESS</i>
FR7002		DOUILLE POUR MOTEUR MFD351	<i>MOTOREDUCER RING</i>
FR7003		DOUILLE ACCOUPLEMENT RENFORCEE	<i>REINFORCING GANGING COUPLING</i>
ID-129		VIS INOX POELIER VM 4 X 8	<i>SCREW 4 X 8</i>
PH-78		JOINT TORIQUE 2,62X9,13 EPDM	<i>O RING - 9,13 X 2,62</i>
PL-15		VIS TCHC M6x10 INOX	<i>SCREW M6 X 10</i>
SH-28		VIS TH M6 X 16	<i>SCREW M6 X 16</i>



 Loctite 262

## PLANCHE - PLATE 435

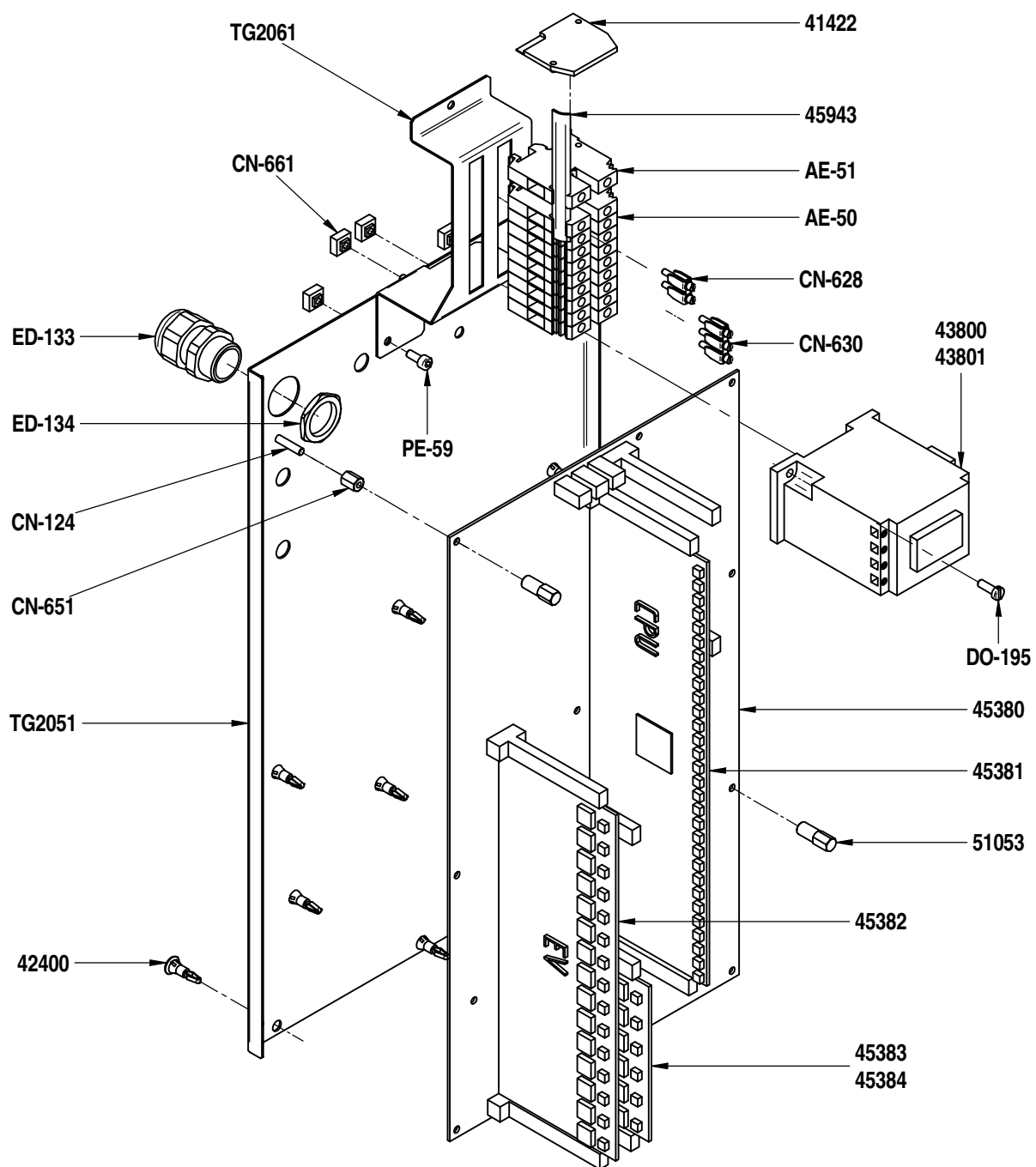
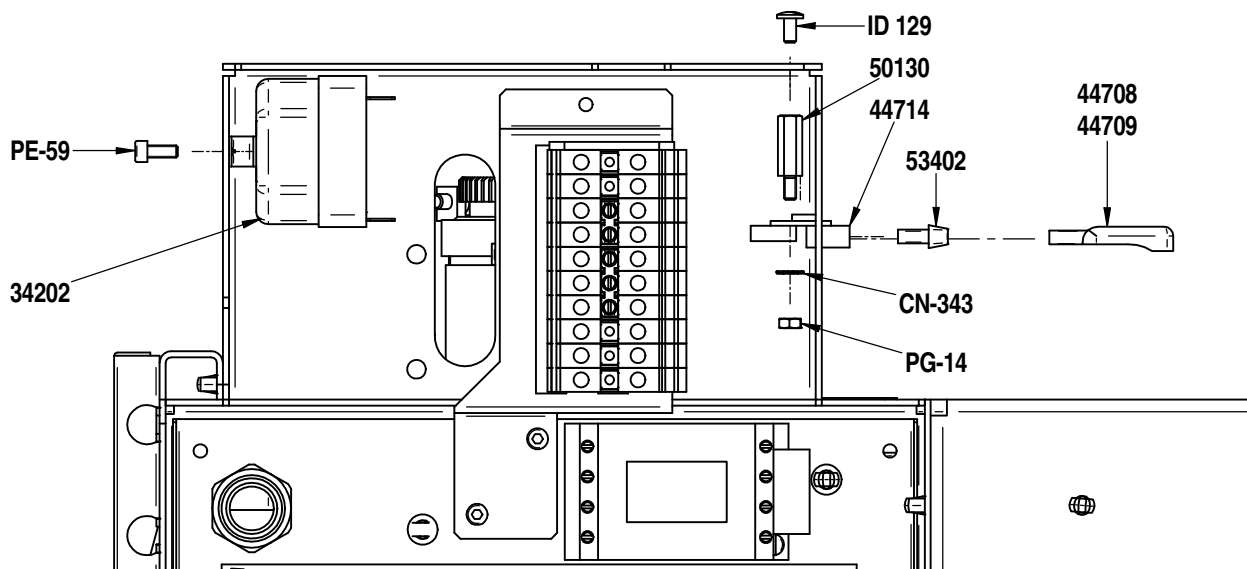
<b>REF</b>	<b>ELUX</b>	<b>DESIGNATIONS FR</b>	<b>DESIGNATIONS GB</b>
27717		JOINT TORIQUE 1,78 X 6,07	GASKET 1.78 X 6.07
28600		MEMBRANE POUR ELECTROVANNE	MEMBRANE FOR ELECTROVALVE
35540		ELECTROVANNE DE BEC	SPOUT ELECTROVALVE
35541		BOBINE 5W AVEC FILS SURMOULES	COILE 5W WITH COMPOUND-FILLED WIRES
35542		ELECTROVANNE DE BEC SANS BOBINE	SPOUT ELECTROVALVE WITHOUT COIL
CN-23		VIS INOX TF 4 x 12	SCREW M4X12 CSH
CN-436		JOINT TORIQUE 1,78X8,73 EPDM	GASKET 8,73 X 1,78
FR2097		TOLE EN U	U SHEET
FR4201		SIEGE ELECTROVANNE	ELECTROVALVE SEAT
FR4203		FLASQUE ELECTROVANNE	ELECTROVALVE FLANGE
FR4206		COULISSE ELECTROVANNE DE BEC	SOLENOID SLIDE
FR4204		CONDUIT	CONDUIT
FR4205		ENTRETOISE DE FIXATION	FIXING SPACER
V-17		VIS INOX TC 4 x 8	SCREW M4 X 8



 Graisse 8104

## PLANCHE - PLATE 500

<b>REF</b>	<b>ELUX</b>	<b>DESIGNATIONS FR</b>	<b>DESIGNATIONS GB</b>
34202	0UN077	THERMOSTAT SECURITE 160C TRI UL	THERMOSTAT 160C UL
41422		FLASQUE D'EXTREMITE	FLANGE TERMINAL BLOCK
42400		ENTRETOISE PLASTIQUE FIX CARTE	PLASTIC PCB SUPPORT
43800	0UN087	CONTACTEUR TETRA. 220V 25A 50HZ	CONTACTOR 220V 25A 50HZ
43801		CONTACTEUR TETRA. 200V 60HZ	CONTACTOR 200V 60HZ
44708		Clé USB vierge	USB key
44709		Clé USB programmée	Programmed USB key
44714		PRISE USB	USB JACK
45380	0UN002	CARTE ELECTRONIQUE MERE	ELECTRONIC MAINBOARD
45381	0UN094	CARTE CPU	CPU CARD
45382	0UN098	CARTE DRIVER EV	ELECTROVALVE DRIVER CARD
45383		CARTE MODULE MT	MODULE CARD MT
45384	0UN084	CARTE MODULE 2EME PISTON	MODULE CARD 2ND PISTON
45943		ETIQUETTE BORNIER TANGO ST	TERMINAL STICKER TANGO ST
50130		COLONNETTE M-F M4X20	SPACER M-F M4X20
51053		ECROU LONG M4	LONG NUT M4
53402		BOUCHON PRISE USB	CAP FOR USB A JACK
AE-50		BORNIER GM GRIS	TERMINAL BLOCK GREY
AE-51		BORNIER GM BLEU	TERMINAL BLOCK BLUE
CN-124		VIS INOX TF 4 x 20	SCREW M4 X 20
CN-343		RONDELLE EVENTAIL 4	WASHER 4
CN-628		BARETTE DE JONCTION 2 PLOTS	2 STUDS STRIP
CN-630		BARETTE DE JONCTION 3 PLOTS	3 STUDS STRIP
CN-651		ENTRETOISE COURTE DU C.I.	SHORT SPACER FRAME
CN-661		ECROU CAGE M4, EP 1/1.6	INSERT NUT M4
DO-195		VIS ACIER INOX TC 4 X 12	SCREW M4 X 12
ED-133		PRESSE ETOUPE NOIR	PACKING GLAND
ED-134		CONTRE ECROU DE PRESSE ETOUPE	PACKING GLAND NUT
ID-129		VIS INOX POELIER VM 4 X 8	SCREW 4 X 8
PE-59		VIS TCHC M4x10 INOX	SCREW 4 X 10
PG-14		ECROU M4	NUT M4
TG2051		SUPPORT CARTE ELECTRONIQUE	ELECTRONIC BOARD HOLDER
TG2061		SUPPORT BORNIER	TERMINAL BLOCK HOLDER



## PLANCHE - PLATE 501

<b>ELUX</b>	<b>DESIGNATIONS FR</b>	<b>DESIGNATIONS GB</b>
CN2	IO232	IO232
CN3	RS232	RS232
CN4	RS232	RS232
CN5	RS232 CONSOLE DEBUG	RS232 DEBUG CONSOLE
CN6	CAPTEUR PRESSION / PRESENCE CAFE (TREMIE)	PRESSURE SENSOR / COFFEE PRESENCE (HOPPER)
CN7	CAPTEUR PRESSION EAU-VAPEUR	WATER-STEAM PRESSURE SENSOR
CN8	CAPTEUR EFFET HALL	EFFET HALL SENSOR
CN9	SECURITE ENTREE D'EAU	NO WATER SAFETY
CN12	COMPTEUR VOLUMETRIQUE D-G & EAU CHAUDE	DOSING DEVICE RIGHT-LEFT & HOT WATER
CN14	CAPTEUR GROUPE D & EFFET HALL BAS	GROUP RIGHT & EFFET HALL LOW SENSOR
CN15	CAPTEUR PISTON	PISTON SENSOR
CN17	SONDE LAIT / CHAUDIERE THERM.VAP. / GR. CAFE	MILK PROBE / COFFEE GR. / STEAM THERM. BOILER
CN19	STEAMAIR	STEAMAIR
CN20	SWITCH BAC A MARC	SWITCH DRAWER
CN21	TRANSFORMATEUR TOROIDAL	TOROIDAL TRANSFORMER
CN22	MOTEUR PLATEAU	TURNTABLE MOTOR
CN23	MOTEURS PISTONS	PISTONS MOTORS
CN24	VENTILATEUR / SOLUBLES MT	FAN / MT SOLUBLES
CN25	TRAPPE ELECTRO-AIMANT	ELECTROMAGNET HATCH
CN26	LED GAUCHE	LED LEFT
CN27	LED DROIT	LED RIGHT
CN29	RELAIS STATIQUES / CHAUDIERE VAPEUR	STATIC RELAY / STEAM BOILER
CN30	RELAIS STATIQUES / CHAUDIERE CAFE	STATIC RELAY / COFFEE BOILER
CN32	POMPE LAIT 2	MILK PUMP 2
CN34	ELECTROVANNES 24Vac	24Vac ELECTROVALVES
CN35	ELECTROVANNES CAPPUCCINO GAUCHE	LEFT CAPPUCCINO ELECTROVALVES
CN36	ELECTROVANNES 24Vac / LAIT 1	24Vac / MILK 1 ELECTROVALVES
CN38	EV 24Vac CAFE DROIT / SOLUBLES MT	RIGHT COFFEE / MT SOLUBLES 24Vac EV
CN39	ELECTROVANNES CAPPUCCINO DROIT	RIGHT CAPPUCCINO ELECTROVALVES
CN41	POMPE / MOULINS / CARTOUCHE / GROUPE	PUMP / GRINDERS / CARTRIDGE / GROUP
CN43	SECURITE MACHINE FILTRAGE	FILTERING MACHINE SAFETY
CN44	TELERUPTEUR	STEPPING SWITCH
CN47	SECURITE CAFE-VAPEUR / GROUPE (OPTO)	COFFEE-STEAM SAFETY / GROUP (OPTO)
CN50	ELECTROVANNES 24V	24V ELECTROVALVES

\* Nota: références des câbles planche 550

*Nota: electrical wires references plate 550*

Nota :

**Carte mère R1 & R2 utiliser TG8050-5, TG8057-7 et TG8058-7 / motherboard R1 & R2 use TG8050-5, TG8057-7 et TG8058-7**

**Carte mère R3 utiliser TG8050-6, TG8057-8 et TG8058-8 / motherboard R3 use TG8050-6, TG8057-8 et TG8058-8**

**Si R1 & R2 avec TG8050-6, TG8057-8 et TG8058-8 ne pas brancher CN47 / If R1 & R2 with TG8050-6, TG8057-8 et TG8058-8 leave CN47 free**



## PLANCHE - PLATE 502

REF	ELUX	DESIGNATIONS FR	DESIGNATIONS GB
FN1A		5A / EV-AC1-A / MODULE 24V: EVRE - EVSE - EVSV - EVNC - EVNK/EVNC - EVA - EVV	
FN1B		5A / EV-AC1-B / MODULE SOLUBLE: MT1 - MT2 - FAN SOL - EVKD/EVM1 - EAED/EVM2 MODULE CAFE DX: EVKD/EVM1 - EAED/EVM2 - EVCD - EVP2 - EVLD - EVS2	
FN1C		5A / EV-AC1-C / MODULE 24V: EVNKG - EVAEG EVLG - EVCG - EVP1 - EVS1	
FN1D		5A / EV-AC1-D / MODULE 24V: EVAL1 - EVNL1 - EVVL1 - EVAL2 - EVNL2 - EVLL2	
FN2		10A / 22V / ALIM MOTEUR PISTON & PLATEAU	<i>PISTON &amp; TURNTABLE MOTOR SUPPLY</i>
FN3		10A / 19V / +24V SECONDAIRE TRANSFO	<i>TRANSFO SECONDARY</i>
FN4		5A / TELERUPTEUR	<i>STEPPING SWITCH</i>
FN5		5A / NEUTRE	<i>NEUTRAL</i>
FN6		5A / RELAIS / MAC1 - MAC2 - MAC3 - GET1 - GET2 - GET3 - POMPE - AUX1 - CHGR	
FN7		10A / +V PLATEAU / MOTEUR PLATEAU	<i>TURNTABLE MOTOR</i>
FN8		10A / +V PISTON / MOTEUR PISTON	<i>PISTON MOTOR</i>
FN9		5A / +24V CONTINU + POMPE LAIT	<i>DC + MILK POMP</i>
FN10		5A / +12V, +9V, +5V, +3.3V BASSE TENSION CONTINUE ALIM CAPTEUR	
43112		FUSIBLE 5 X 20 10A RETARDE T	<i>FUSE 10A DELAYED</i>
43115	0UN115	FUSIBLE 5 X 20 5A RETARDE T	<i>FUSE 5A DELAYED</i>

FN4

FN5

FN6

FN3

FN10

FN9

FN1A

FN1B

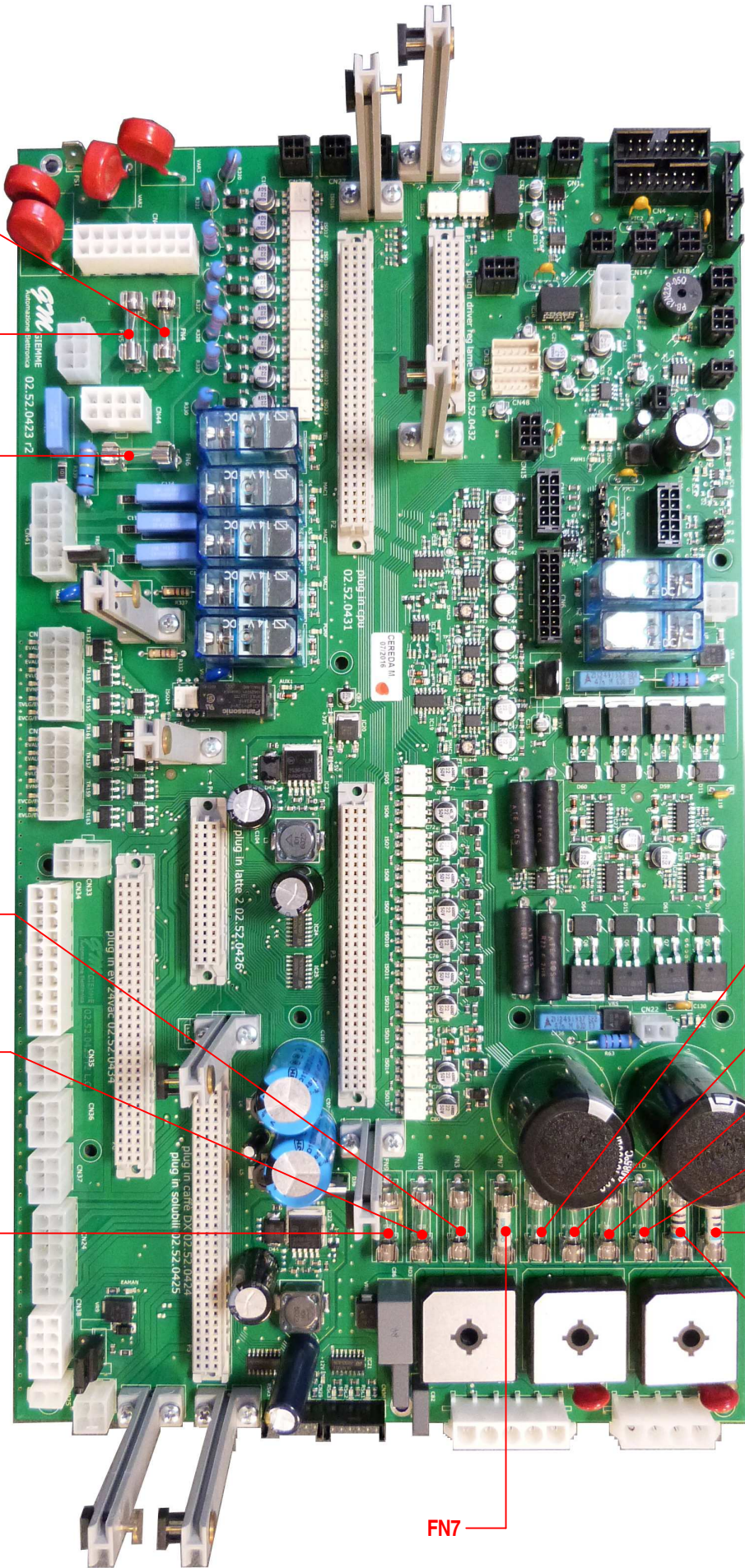
FN1C

FN1D

FN2

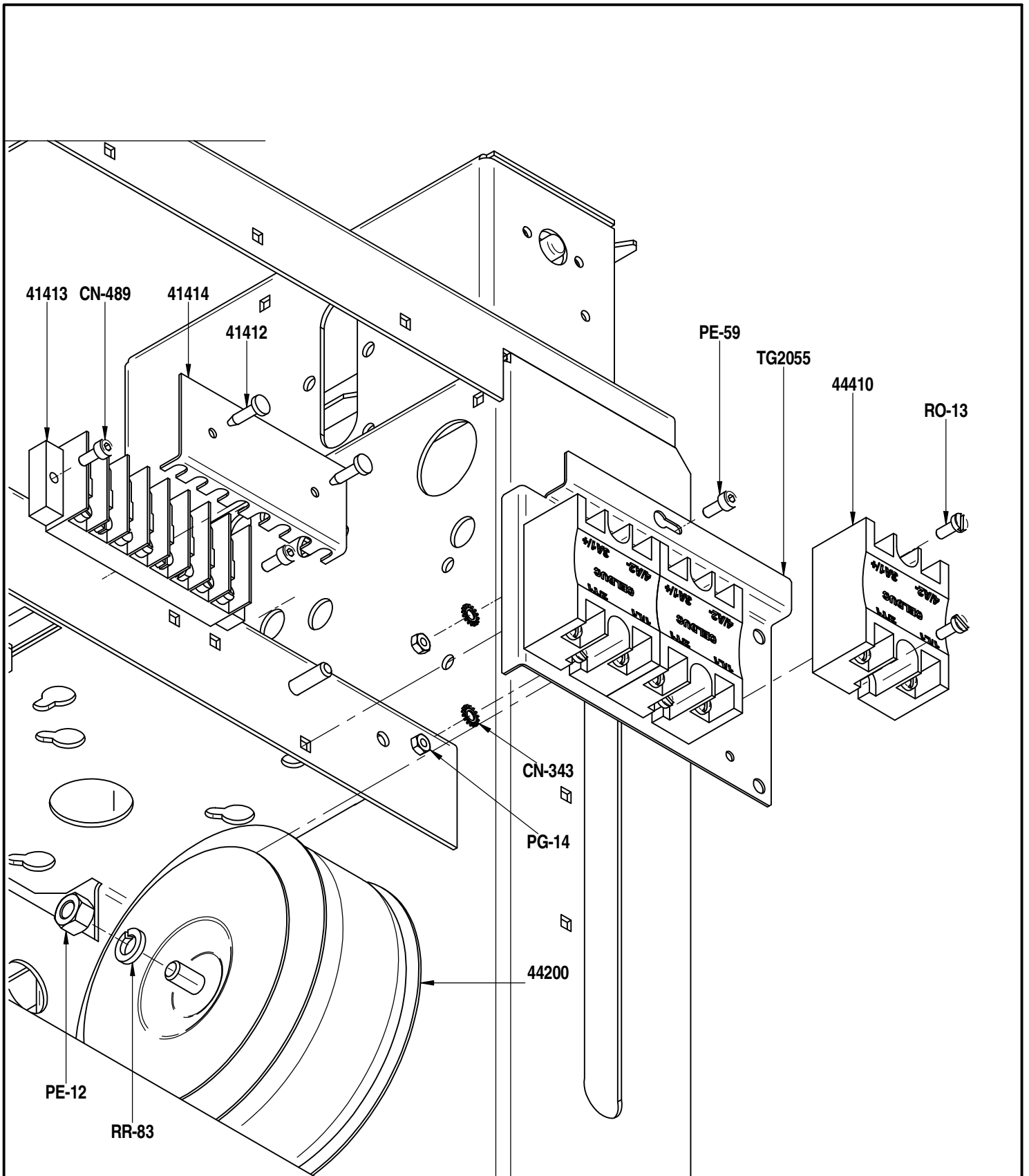
FN8

FN7



## PLANCHE - PLATE 510

<b>REF</b>	<b>ELUX</b>	<b>DESIGNATIONS FR</b>	<b>DESIGNATIONS GB</b>
41412		POINTE	<i>PIN</i>
41413		BARRETTE 8 POLES	<i>TERMINAL BOARD</i>
41414		PROTECTION 8 POLES	<i>COVER</i>
44200		TRANSFO TOROIDAL 540 Va / 200-230-240-22-19V	<i>TRANSFORMER 540Va / 200-230-240-22-19V</i>
44220	0UN126	TRANSFO TOROIDAL 300 Va / 200-230-240V	<i>TRANSFORMER 300Va / 200-230-240V</i>
44410		RELAIS STATIQUE 25A	<i>SOLID STATE RELAY 25A</i>
CN-343		RONDELLE EVENTAIL 4	<i>WASHER 4</i>
CN-489		VIS INOX CHC 4 x 16	<i>SCREW M4 X 16</i>
PE-12		ECROU M8	<i>NUT M8</i>
PE-59		VIS TCHC M4x10 INOX	<i>SCREW 4 X 10</i>
PG-14		ECROU M4	<i>NUT M4</i>
RO-13		VIS INOX TC 4 x 10	<i>SCREW M4 X 10 -</i>
RR-83		RONDELLE GROVER DE 8	<i>WASHER 8</i>
TG2055		SUPPORT 3 RELAIS STATIQUES	<i>3 STATICS RELAYS HOLDER</i>



## PLANCHE - PLATE 501

<b>ELUX</b>	<b>DESIGNATIONS FR</b>	<b>DESIGNATIONS GB</b>
CN2	IO232	IO232
CN3	RS232	RS232
CN4	RS232	RS232
CN5	RS232 CONSOLE DEBUG	RS232 DEBUG CONSOLE
CN6	CAPTEUR PRESSION / PRESENCE CAFE (TREMIE)	PRESSURE SENSOR / COFFEE PRESENCE (HOPPER)
CN7	CAPTEUR PRESSION EAU-VAPEUR	WATER-STEAM PRESSURE SENSOR
CN8	CAPTEUR EFFET HALL	EFFET HALL SENSOR
CN9	SECURITE ENTREE D'EAU	NO WATER SAFETY
CN12	COMPTEUR VOLUMETRIQUE D-G & EAU CHAUDE	DOSING DEVICE RIGHT-LEFT & HOT WATER
CN14	CAPTEUR GROUPE D & EFFET HALL BAS	GROUP RIGHT & EFFET HALL LOW SENSOR
CN15	CAPTEUR PISTON	PISTON SENSOR
CN17	SONDE LAIT / CHAUDIERE THERM.VAP. / GR. CAFE	MILK PROBE / COFFEE GR. / STEAM THERM. BOILER
CN19	STEAMAIR	STEAMAIR
CN20	SWITCH BAC A MARC	SWITCH DRAWER
CN21	TRANSFORMATEUR TOROIDAL	TOROIDAL TRANSFORMER
CN22	MOTEUR PLATEAU	TURNTABLE MOTOR
CN23	MOTEURS PISTONS	PISTONS MOTORS
CN24	VENTILATEUR / SOLUBLES MT	FAN / MT SOLUBLES
CN25	TRAPPE ELECTRO-AIMANT	ELECTROMAGNET HATCH
CN26	LED GAUCHE	LED LEFT
CN27	LED DROIT	LED RIGHT
CN29	RELAIS STATIQUES / CHAUDIERE VAPEUR	STATIC RELAY / STEAM BOILER
CN30	RELAIS STATIQUES / CHAUDIERE CAFE	STATIC RELAY / COFFEE BOILER
CN32	POMPE LAIT 2	MILK PUMP 2
CN34	ELECTROVANNES 24Vac	24Vac ELECTROVALVES
CN35	ELECTROVANNES CAPPUCCINO GAUCHE	LEFT CAPPUCCINO ELECTROVALVES
CN36	ELECTROVANNES 24Vac / LAIT 1	24Vac / MILK 1 ELECTROVALVES
CN38	EV 24Vac CAFE DROIT / SOLUBLES MT	RIGHT COFFEE / MT SOLUBLES 24Vac EV
CN39	ELECTROVANNES CAPPUCCINO DROIT	RIGHT CAPPUCCINO ELECTROVALVES
CN41	POMPE / MOULINS / CARTOUCHE / GROUPE	PUMP / GRINDERS / CARTRIDGE / GROUP
CN43	SECURITE MACHINE FILTRAGE	FILTERING MACHINE SAFETY
CN44	TELERUPTEUR	STEPPING SWITCH
CN47	SECURITE CAFE-VAPEUR / GROUPE (OPTO)	COFFEE-STEAM SAFETY / GROUP (OPTO)
CN50	ELECTROVANNES 24V	24V ELECTROVALVES

\*

Nota: références des câbles planche 550

Nota: electrical wires references plate 550

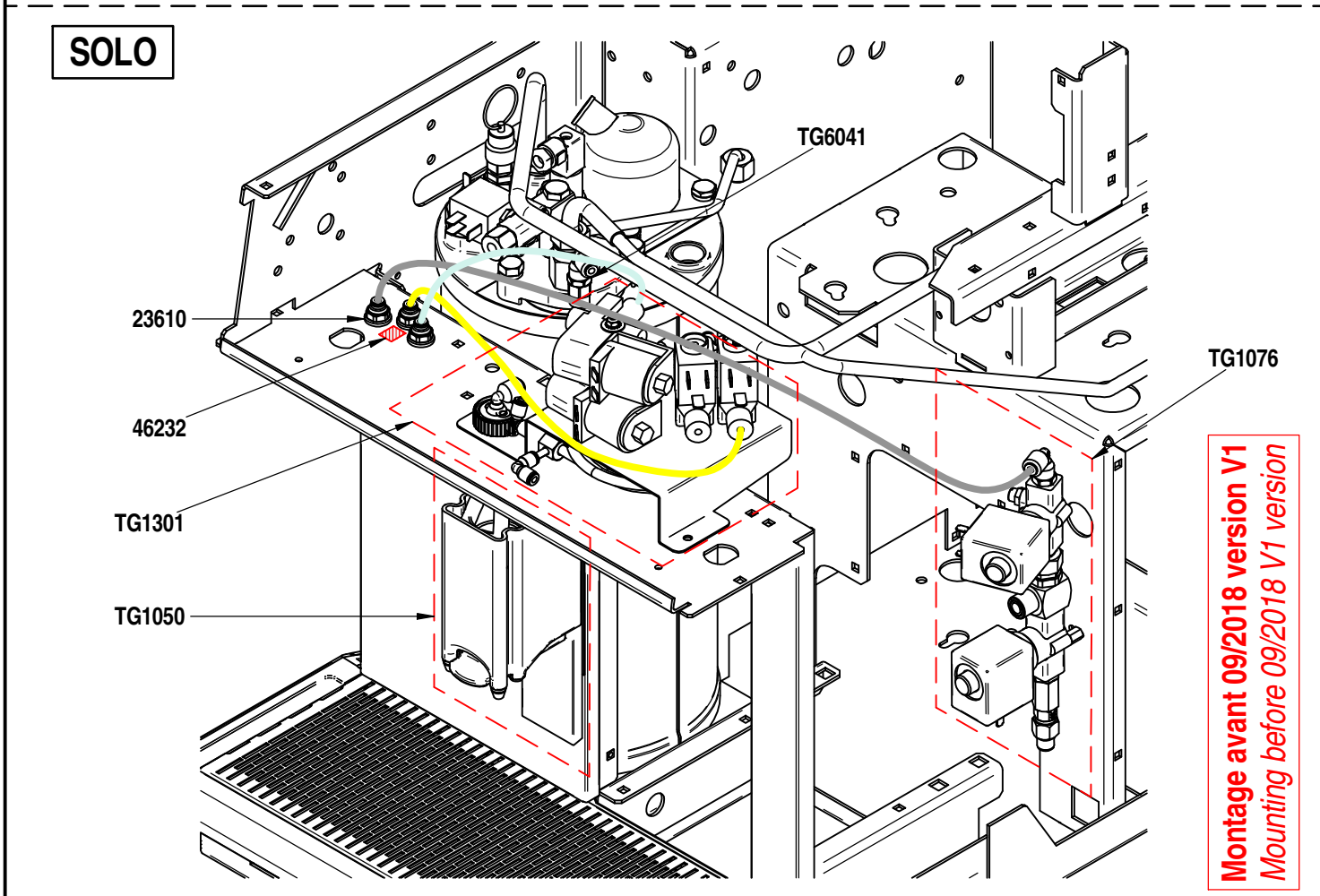
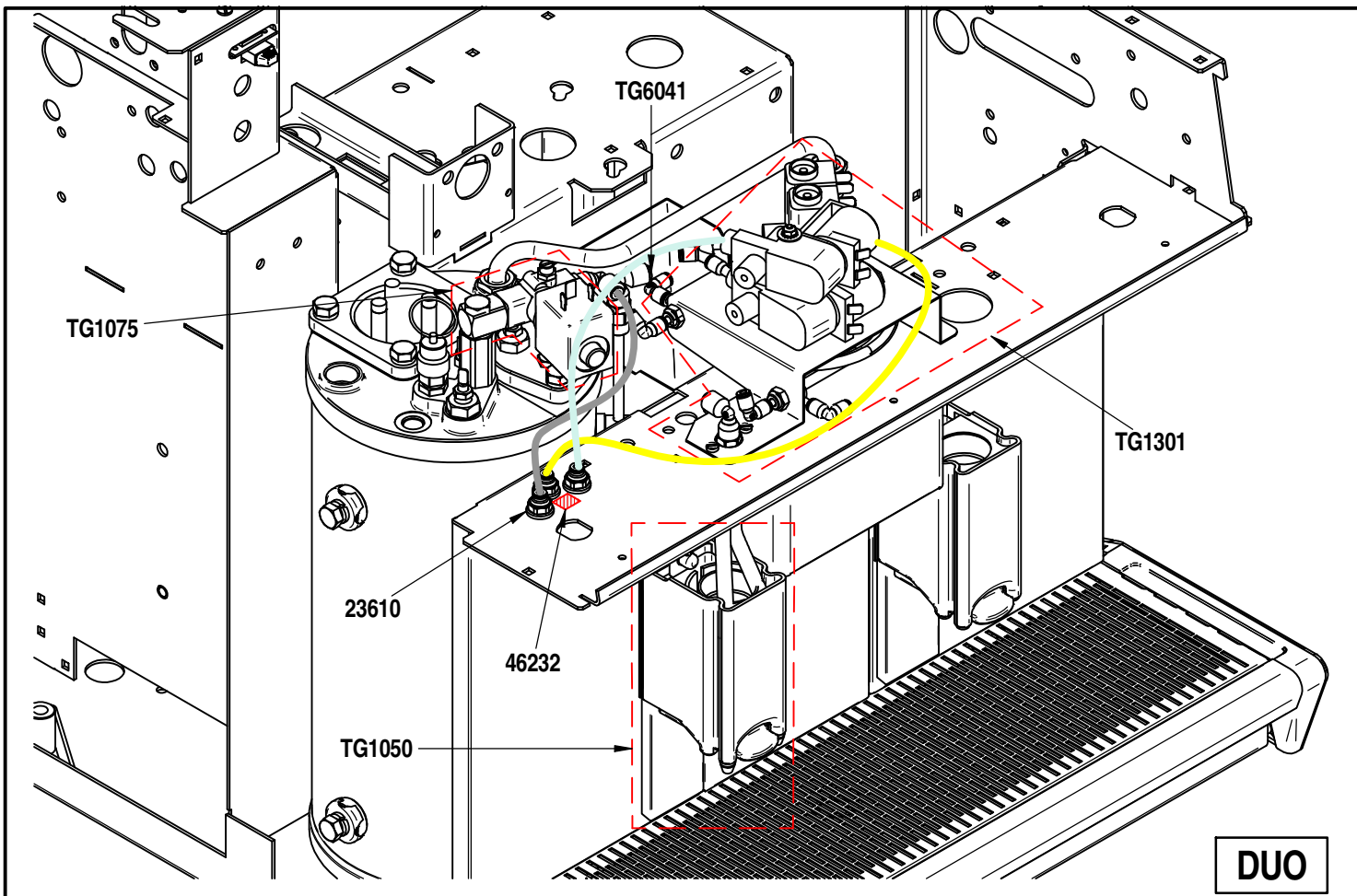
REF	DESIGNATION FR	DESIGNATION GB	CONNECTEUR	NB PINS	TENSION	QUANTITE	
						SOLO	DUO FRIGO
FR8019	CABLE BLEU CONN. BOBINE ET CONTACT	COIL CONNECTION BLUE CABLE			HAUTE	1	2
FR8029	CELLULES OPTIQUES AVEC CONNECTEUR	PHOTO CELL SENSORS	CN6	16	BASSE	1	
FR8055	CABLE RALLONGE EV SV EV	EXTENSION WIRE EV SV EV			BASSE	1	1
TG8004	CABLE LED RGB L520	RGB LED L520 WIRE	CN26	4	BASSE	1	1
TG8005	CABLE LED RGB L1200	RGB LED L1200 WIRE	CN27	4	BASSE	1	1
TG8012	CABLE LIAISON USB	USB LINK WIRE	CN2	4	BASSE	1	1
TG8013	RS 232 ECRAN TFT GAUCHE	LEFT DISPLAY WIRE	CN3	16	BASSE	1	1
TG8014	RS 232 ECRAN TFT DROIT	RIGHT DISPLAY WIRE	CN4	16	BASSE	1	1
TG8016	CABLE ADAPTATEUR MOTEUR PLATEAU	TURNABLE MOTOR ADAPTOR WIRE	CN22	2	BASSE	1	1
TG8017	CABLE CHAUDIERE VAPEUR & RESEAU	STEAM BOILER & WATER SYSTEM WIRE	CN7	10	BASSE	1	1
TG8027	CABLE SONDES THERMO. & NIVEAUX	PROBES WIRE	CN17	10			
			CN26	4	BASSE	1	1
			CN27	4			
TG8029	CABLE COMMANDES DROITE	RIGHT CONTROL WIRE	CN14	4			
			CN38	8	BASSE	1	1
			CN39	4			
TG8030	CABLE SECURITE BAC A MARC	DRAWER SAFETY WIRE	CN20	4	BASSE	1	1
			CN8	4			
			CN9	4			
TG8037	CABLE TRAPPE, PIST. COD. SECU. CTRL MOTEUR	HATCH, PIST. COD. SAFE. MOTOR WIRE	CN12	6			
			CN15	6	BASSE	1	1
			CN23	4			
			CN25	2			
TG8039	CABLE CMD RELAIS STAT. CHAUD. VAP./CAFE	CTRL STAT. RELAY & STEAM/COFFEE BOIL. WIRE	CN29	6	BASSE	1	1
TG8040	CABLE CMD RELAIS STAT. CHAUD. VAP.	CTRL STAT. RELAY & STEAM BOIL. WIRE	CN30	6	BASSE	1	1
TG8041	CABLE CMD EV,POMPE FRIGO PARTIE 1	EV, FRIDGE PUMP 1ST PART WIRE	CN32	6			
			CN36	6	BASSE	1	1
TG8042	CABLE CMD EV,POMPE FRIGO PARTIE 2	EV, FRIDGE PUMP 2ND PART WIRE	CN50	12	BASSE		1
TG8043	CABLE CMD EVRE, EVSE ,EVSV,EVKG	EVRE, EVSE, EVSV, EVKG WIRE	CN34	20	BASSE	1	1
TG8045	CABLE EV CAPPUCCINO GAUCHE	LEFT CAPPUCCINO EV WIRE	CN35	6	BASSE	1	1
TG8049	CABLE CPU GND CALANDRE	CPU GND FRONT PANEL WIRE			TERRE	1	1
			CN41	12			
TG8050	CABLE MOULINS R,V,O,RES GR,RI,POMPE	GRINDER R,G,O,RES GR,RI,PUMP WIRE	CN44	8	HAUTE	1	1
			CN47	6			
TG8057	CABLE CHAUDIERE CAFE	COFFEE BOILER WIRE			HAUTE	1	1
TG8058	CABLE GROUPE VAPEUR CAFE	STEAM/COFFEE GROUP WIRE			HAUTE	1	1
TG8059	CABLE PONTAGE RELAIS STATIQUES	STATIC RELAY JUMPER WIRE			HAUTE	3	3
TG8062	CABLE SORTIE CONTACTEUR	OUTPUT CONTACTOR WIRE			HAUTE	1	1
TG8100	CABLE INTER. AFFICHEUR T°C REG C- F	DISPLAY T°C, COLD-HOT, SWITCH WIRE			HAUTE		1
TG8101	CABLE ALIMENTATION	ALIMENTATION WIRE			HAUTE		1

## PLANCHE - PLATE 600

<b>REF</b>	<b>ELUX</b>	<b>DESIGNATIONS FR</b>	<b>DESIGNATIONS GB</b>
23610	0UN046	RACCORD RAPIDE DROIT PASSE CLOISON	<i>QUICK FITTING BULKHEAD</i>
23611	0UN039	EQUERRE RACCORD RAPIDE PASSE CLOISON	<i>BULKHEAD CONNECTOR</i>
46232		AUTOCOLLANT REPERAGE COULEUR TUBE	<i>STICKER FOR PIPE COLOR</i>
TG1050	0UN051	BEC A CAFE 2 TASSES COMPLET POMPE LAIT	<i>SPOUT COFFEE FOR PUMP MILK</i>
TG1075		EV NETTOYAGE POMPE LAIT	<i>CLEANING ELECTROVALVE PUMP MILK</i>
TG1076		EV NETTOYAGES POMPE LAIT & CAFE	<i>CLEANING ELECTROVALVES PUMP MILK &amp; COFFEE</i>
TG1301		BLOC LAIT MACHINE	<i>BLOCK MILK FOR MACHINE</i>
TG6041		TUBE VAPEUR CHAUDIERE POUR MODULE ST	<i>STEAM PIPE FOR PUMP MILK SYSTEM</i>

**Montage avant 09/2018 (version V1)**

***Mounting before 09/2018 (V1 version)***

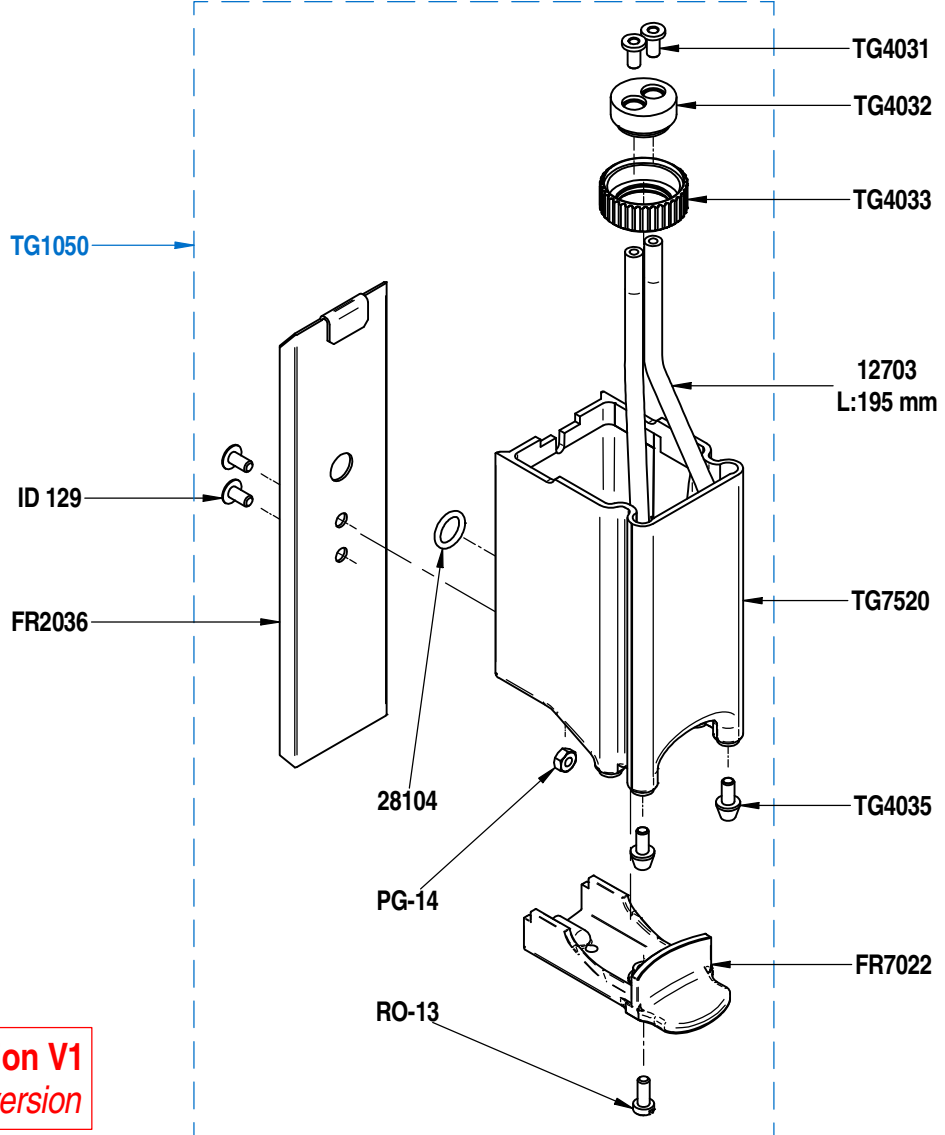
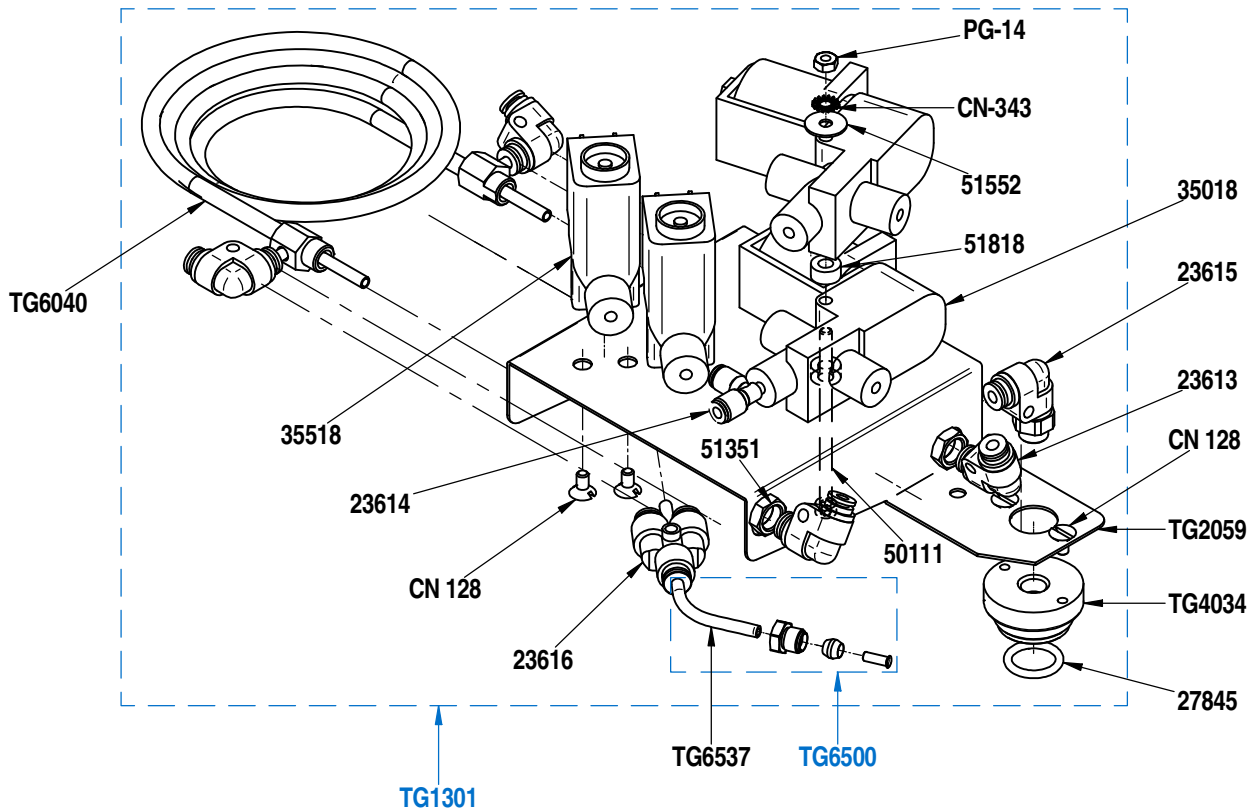


## PLANCHE - PLATE 601

REF	ELUX	DESIGNATIONS FR	DESIGNATIONS GB
12703		TUBE SILICONE TRANSLUCIDE 3X6	SILICONE PIPE 3X6
23613	0UN047	RACCORD RAPIDE COUDE 2V D:4 F-F	ELBOW QUICK FITTING 2W D:4 F-F
23614	0UN049	RACCORD RAPIDE T 3V D:4 M-F-F	QUICK FITTING T 3W D:4 M-F-F
23615	0UN120	RACCORD RAPIDE COUDE D:4 F-1/8G	ELBOW QUICK FITTING D:4 F-1/8G
23616	0UN048	RACCORD RAPIDE Y D:4 F-F-F	QUICK FITTING Y D:4 F-F-F
27845	0UN144	JOINT TORIQUE 2.62 X 17.13	O-RING 2.62 X 17.13
28104	0UN146	JOINT TORIQUE 2X9,5 FKM 80SH	GASKET 2X9,5
35018	0UN071	ELECTROVANNE 3V D4F 24V-DC	ELECTROVALVE 3W 24V-DC D4F
35518	0UN127	ELECTROVANNE 2V D4F 24V-DC	ELECTROVALVE 2W 24V-DC D4F
50111		VIS Chc M4 X 70	SCREW M4 X 70
51351		ECROU 1/8	NUT 1/8
51552		RONDELLE INOX 4.25x14x0.8	S..STEEL WASHER 4.25x14x0.8
51818		ENTRETOISE	SPACER
CN-128		VIS INOX TF M4 X 8	SCREW M4 X 8
CN-343		RONDELLE EVENTAIL 4	WASHER 4
FR2036		TOLE PLAQUE GUIDE	PLATE SHEET
FR7022		LANGUETTE BEC	SPOUT HANDING
ID-129		VIS INOX POELIER VM 4 X 8	SCREW 4 X 8
PG-14		ECROU M4	NUT M4
RO-13		VIS INOX TC 4 x 10	SCREW M4 X 10 -
TG1050	0UN051	BEC A CAFE 2 TASSES COMPLET POMPE LAIT	SPOUT COFFEE FOR PUMP MILK
TG1301		BLOC LAIT MACHINE	BLOCK MILK FOR MACHINE
TG2059		TOLE SUPPORT BLOC LAIT	SHEET METAL FOR BLOCK MILK
TG2069		TOLE SUPPORT BLOC LAIT AVEC VIS	SHEET METAL FOR BLOCK MILK WITH SCREW
TG4031		DOUILLE TUBE LAIT	MILK TUBE TIP
TG4032		MANCHON BI V	BI V MUFF
TG4033		BAGUE ECROU	NUT RING
TG4034		REPARTITEUR 2T POMPE LAIT	PUMP MILK DISPATCHER
TG4035		DOUILLE TUBE LAIT SORTIE BEC	MILK OUTLET SOCKET
TG6040		TUBE SERPENTIN VAPEUR INOX	HEATING COIL PIPE FOR STEAM
TG6500		TUBE PTFE L:150mm	PTFE PIPE L:150mm
TG6537		TUBE PTFE D:4 L:150mm	PTFE PIPE D:4 L:150mm
TG7520		BEC CAFE (USINÉ)	COFFEE SPOUT (MACHINED)

**Montage avant 09/2018 (version V1)**

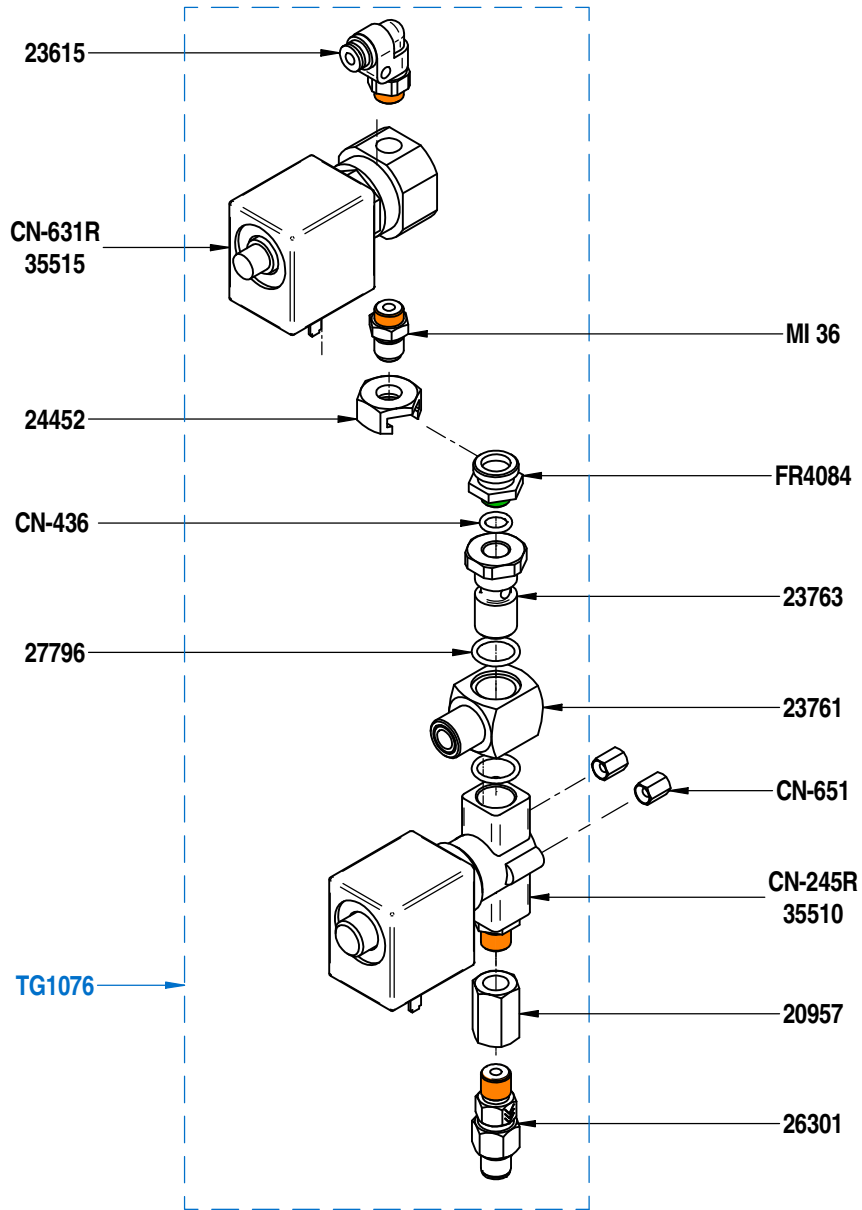
**Mounting before 09/2018 (V1 version)**



**Montage avant 09/2018 version V1**  
*Mounting before 09/2018 V1 version*

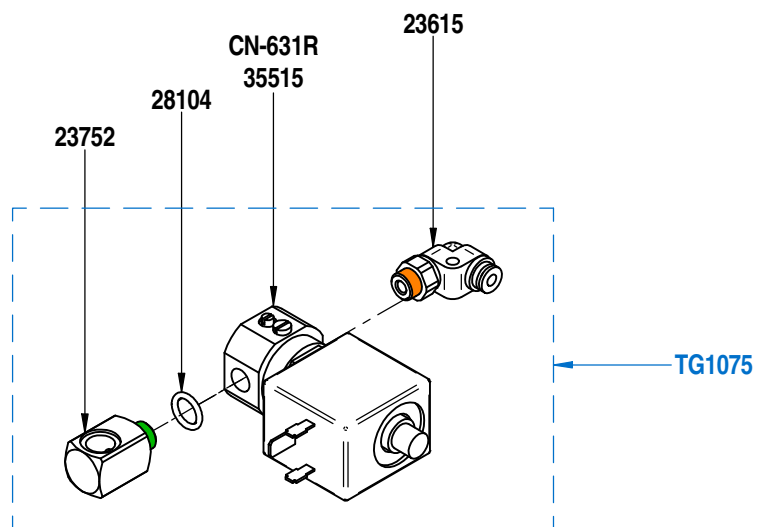
## PLANCHE - PLATE 602

<b>REF</b>	<b>ELUX</b>	<b>DESIGNATIONS FR</b>	<b>DESIGNATIONS GB</b>
20957		RACCORD DROIT 1/8G	<i>FITTING 1/8G</i>
23615	0UN120	RACCORD RAPIDE COUDE D:4 F-1/8G	<i>ELBOW QUICK FITTING D:4 F-1/8G</i>
23752		CORPS DE BANJO 1/8	<i>BANJO BODY FOR UNIT HEAD</i>
23761		CORPS DE BANJO 1/4	<i>BANJO BODY 1/4</i>
23763		AXE BANJO 1/4M - 1/8F	<i>BANJO SCREW 1/4M 1/8F</i>
24452		ECROU 1/8F FENDU	<i>NUT 1/8M</i>
26301	0UN030	CLAPET ANTI-RETOUR 1/8	<i>NO RETURN VALVE 1/8</i>
27796	0UN023	JOINT TORIQUE 1,78 X 12,42 NEXUS	<i>O RING 1.78 X 12,42</i>
28104	0UN146	JOINT TORIQUE 2X9,5 FKM 80SH	<i>GASKET 2X9,5</i>
35510		EV 2 VOIES 24V NSF	<i>ELECTROVALVE 2 WAYS 24V NSF</i>
35515		EV 2 VOIES 24V 50-60HZ NSF	<i>EV 2 WAYS 24V 50-60HZ NSF</i>
CN-245R	0UN031	ELECTROVANNE 2V 24V-50/60Hz	<i>ELECTROVALVE 2W 24V-50/60Hz</i>
CN-436	0UN145	JOINT TORIQUE 1,78X8,73 EPDM	<i>GASKET 8,73 X 1,78</i>
CN-631R	0UN029	EV 2V REGL. 24V-50/60Hz	<i>ELECTROVALVE 2W ADJ. 24V-50/60Hz</i>
CN-651		ENTRETOISE COURTE DU C.I.	<i>SHORT SPACER FRAME</i>
FR4084		RACCORD 1/8M SORTIE EV	<i>CONNECTION 1/8M OUTPUT EV</i>
MI-36		RACCORD 1/8M 1/8M	<i>CONNECTION 1/8</i>
TG1075		EV NETTOYAGE POMPE LAIT	<i>CLEANING ELECTROVALVE PUMP MILK</i>
TG1076		EV NETTOYAGES POMPE LAIT & CAFE	<i>CLEANING ELECTROVALVES PUMP MILK &amp; COFFEE</i>



**SOLO**

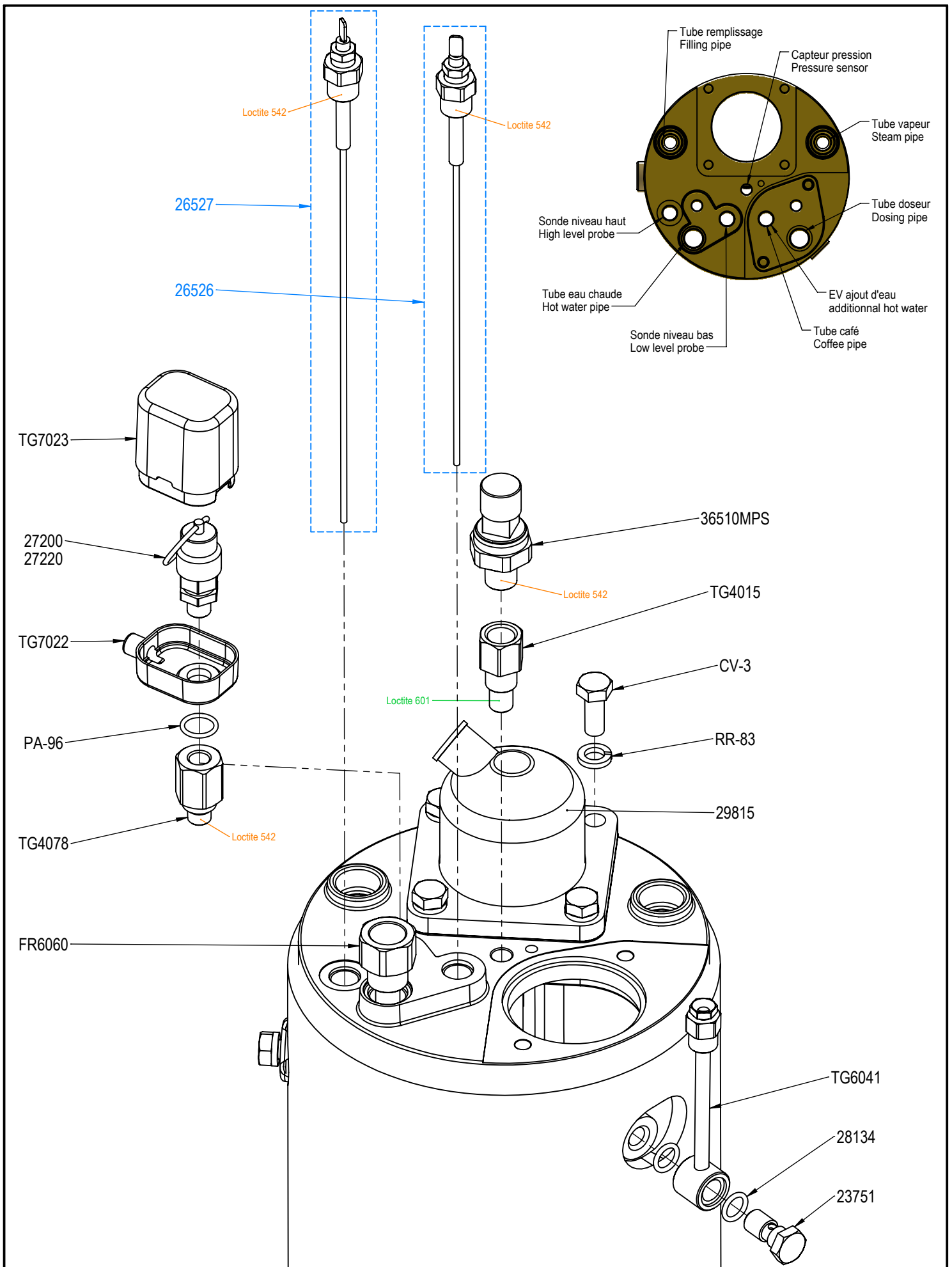
**DUO**



- Loctite 601
- Loctite 542

## PLANCHE - PLATE 603

<b>REF</b>	<b>ELUX</b>	<b>DESIGNATIONS FR</b>	<b>DESIGNATIONS GB</b>
23751	0UN088	AXE DE BANJO 1/8	BANJO SCREW
26526		SONDE DE NIVEAU HAUT	HIGH LEVEL PROBE
26527		SONDE DE NIVEAU BAS	LOW LEVEL PROBE
27200		SOUPAPE VAPEUR BP 3,5 BARS	LP VALVE 3.5 BARS
27220		SOUPAPE VAPEUR BP 3,5 BARS NSF	LP VALVE 3.5 BARS NSF
28134	0UN019	JOINT TORIQUE 2X9,5 NEXUS	O RING 2X9,5
29815		CACHE RESISTANCE	INSULATOR BOOT
36510MPS	0UN063	CAPTEUR DE PRESSION 0-16b SENSATA	0-16b PRESSURE SENSOR
CV-3		VIS TH M8 x 20 INOX	S.STEEL SCREW M8 x 20
FR6060		TUBE PLONGEUR EAU CHAUDE	HOT WATER DIVER PIPE
PA-96		JOINT TORIQUE 1,78X12,42 EPDM	GASKET 1.78 X 12.42
RR-83		RONDELLE GROVER DE 8	WASHER 8
TG4015		RACCORD CAPTEUR DE PRESSION	PRESSURE SENSOR FITTING
TG4078		SUPPORT SOUPAPE BP	LP VALVE HOLDER
TG6041		TUBE VAPEUR CHAUDIERE POUR MODULE ST	STEAM PIPE FOR PUMP MILK SYSTEM
TG7022		PROTECTION SOUPAPE	VALVE PROTECTION
TG7023		COUVERCLE PROTECTION SOUPAPE	COVER VALVE PROTECTION

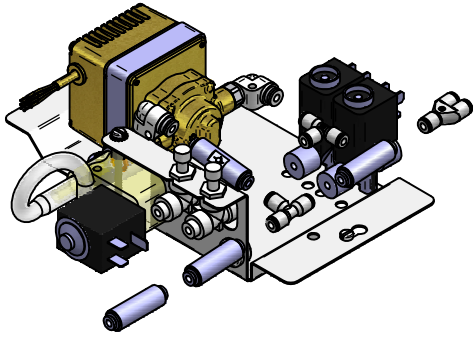


## PLANCHE - PLATE 605

REF	ELUX	DESIGNATIONS FR	DESIGNATIONS GB
12740	0UN137	TUBE SILICONE 5 X 9	SILICONE PIPE 5 X 9
23605		SUPPORT DE SONDE T°C	PROBE T°C HOLDER
23612	0UN036	RACCORD RAPIDE TE 3V D:4F	QUICK FITTING TE 3W D:4F
23615	0UN120	RACCORD RAPIDE COUDE D:4 F-1/8G	ELBOW QUICK FITTING D:4 F-1/8G
23616	0UN048	RACCORD RAPIDE Y D:4 F-F-F	QUICK FITTING Y D:4 F-F-F
23618	0UN107	CLAPET ANTI-RETOUR D:4 F-F	NON RETURN VALVE D:4 F-F
23619	0UN044	REGLAGE AIR MICROMETRIQUE C/F D:4 F-F	SETTING AIR HOT/COLD D:4 F-F
26153	0UN078	REDUCTEUR CAPPUCCINATORE D2.5	CAPPUCCINATORE REDUCER D2.5
27821		JOINT TORIQUE 2,62 X 7,59	O-RING 2,62 X 7,59
35518	0UN127	ELECTROVANNE 2V D4F 24V-DC	ELECTROVALVE 2W 24V-DC D4F
35550	0UN022	ELECTROVANNE N.O 24V 50HZ	ELECTROVALVE N.O 24V 50HZ
37285	0UN074	MOTEUR POMPE 24V AVEC CABLE	PUMP MOTOR 24V
37286		ENSEMBLE FIXATION POUR POMPE 24V	FIXING SET FOR 24V PUMP
50120		VIS TC M4X35 INOX	S.STEEL SCREW M4X35
51555		ENTRETOISE 12 MM M4	SPACER 12 MM M4
51351		ECROU 1/8	NUT 1/8
52302		VIS A SERTIR M4 x 18	SCREW M4 x 18
CN-128		VIS INOX TF M4 X 8	SCREW M4 X 8
CN-325		VIS INOX TC 4 x 6	SCREW M4 X 6
CN-343		RONDELLE EVENTAIL 4	WASHER 4
MI-6		PASSE FIL	GROMMET
PG-14		ECROU M4	NUT M4
TG1300		BLOC LAIT MODULE ST	BLOCK MILK MODULE ST
TG1302		KIT POMPE LAIT AVEC RACCORD	KIT MILK PUMP WITH FITTING
TG2058		SUPPORT POMPE LAIT	SHEET METAL FOR MILK PUMP
TG2068		TOLE SUPPORT POMPE LAIT AVEC VIS	SHEET METAL FOR MILK PUMP WITH SCREW
TG4040		GUIDE TUBE BEC	PIPE GUIDE
TG4050		PASSE CLOISON	BULKHEAD
V-17		VIS INOX TC 4 x 8	SCREW M4 X 8

Montage avant 09/2018 (version V1)

Mounting before 09/2018 (V1 version)



12740  
L:150mm

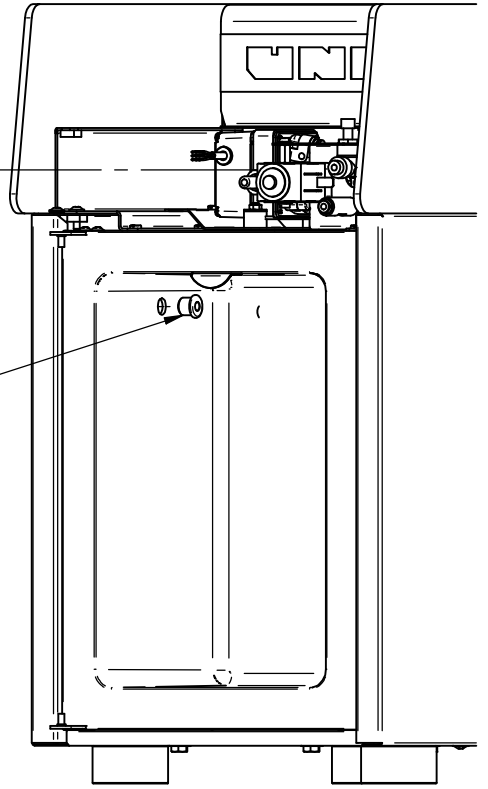
51351

TG4050

23605

12740  
L:300mm

26153



TG1300

23616

23618

23612

35518

CN 128

23615

TG1302

37285

23619

CN 325

MI-6

TG2058

V-17

PG-14

37286

52302

TG4040

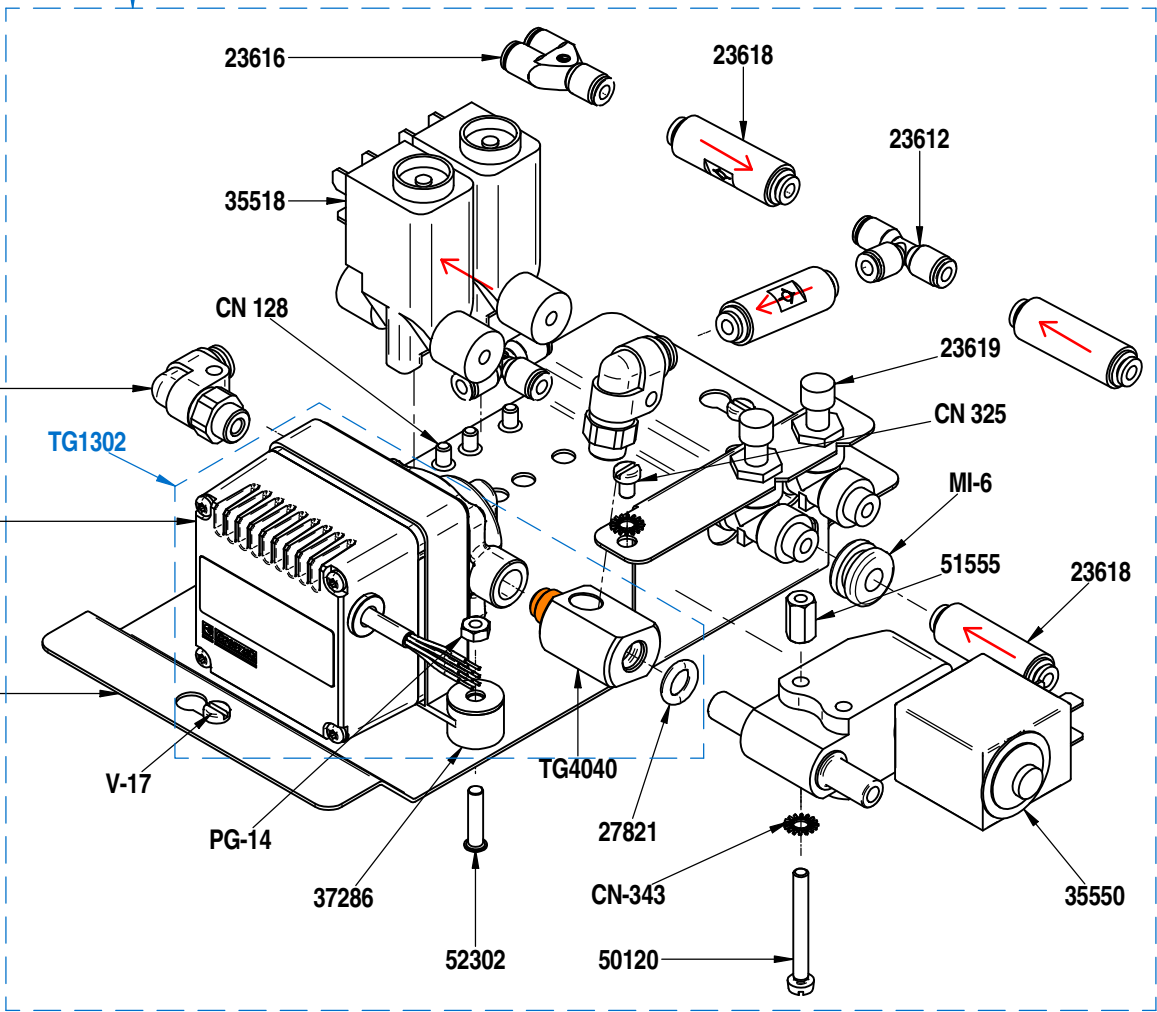
27821

CN-343

50120

23618

35550



 Loctite 542

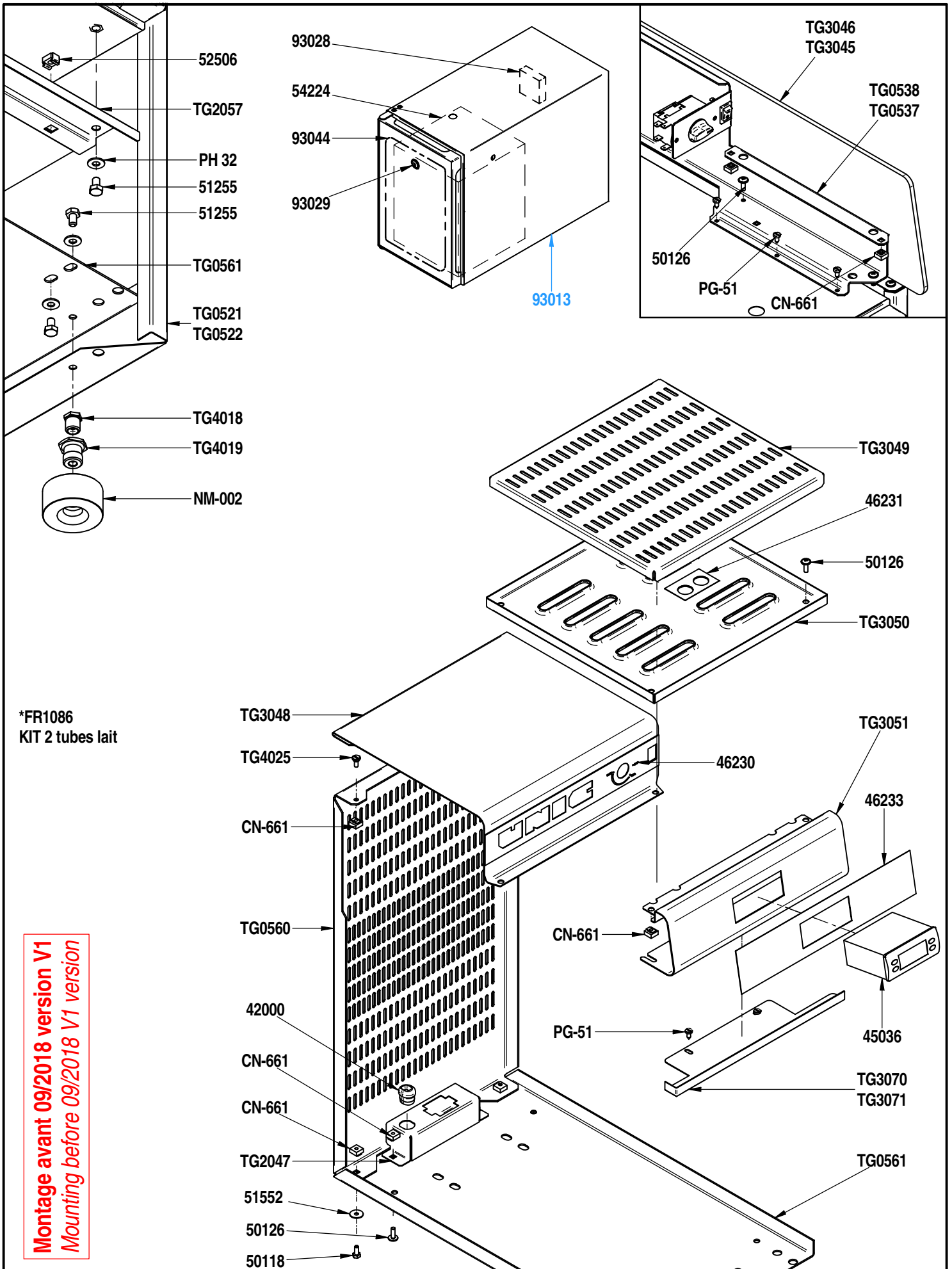
**Montage avant 09/2018 version V1**  
**Mounting before 09/2018 V1 version**

## PLANCHE - PLATE 607

REF	ELUX	DESIGNATIONS FR	DESIGNATIONS GB
42000		SERRE CABLE D:9 HEYCO	CABLE CLAMP
45036		AFFICHEUR DE TEMPERATURE	TEMPERATURE DISPLAY
46230		BANDEAU MODULE ST	MODULE ST STRIP
46231		STICKER AIR ADJUSTMENT	STICKER AIR ADJUSTMENT
46233		STICKER CALANDRE MODULE	FRONT PANEL STICKER
50118		VIS TH M4X10 INOX	S.STEEL SCREW M4X10
50126		VIS TB CRUCIFORME A EMBASE M4 x 12	CRUCIFORM SCREW M4 x 12
51255		VIS TH M6 X 10 INOX	S. STEEL SCREW M6 X 10
51552		RONDELLE INOX 4.25x14x0.8	S..STEEL WASHER 4.25x14x0.8
52506		ECROU CAGE M6 X ep 1	INSERT NUT M6
54224		BAC A LAIT 4L + COUVERCLE	4 LITERS MILK CONTAINER
93013		FRIGO VITRIFRIGO 4 LITRES	VITRIFRIGO 4 LITERS
93028		VENTILATEUR POUR FRIGO	FAN FOR FRIDGE
93029		SERRURE ET 2 CLES	LOCK WITH 2 KEYS
93044		JOINT DE PORTE FG10I	SEAL DOOR
FR1086		KIT 2 TUBES LAIT (DROIT & GAUCHE)	KIT 2 PIPES FOR MILK (RIGHT & LEFT)
CN-661		ECROU CAGE M4, EP 1/1.6	INSERT NUT M4
NM-002		PIED CAOUTCHOUC NOIR	FOOT
PG-51		VIS TOLE TC Ac Zn 3,9 X 9,5	SHEET SCREW 3,9 x 9,5
PH-32		RONDELLE ACIER Zn 6,25x14x1,2	WASHER
TG0521		COTE DROIT CHASSIS MODULE ST	RIGHT SIDE OF MODULE ST
TG0522		COTE GAUCHE CHASSIS MODULE ST	LEFT SIDE OF MODULE ST
TG0537		COTE HAUT GAUCHE CHASSIS	HIGH LEFT SIDE
TG0538		COTE HAUT DROIT CHASSIS	HIGH RIGHT SIDE
TG0560		CHEMISE ARRIERE MODULE ST	REAR CASING
TG0561		BAS CHASSIS MODULE ST	LOWER CHASSIS
TG2047		SUPPORT CONNECTIQUE	HOLDER CONNECTIONS
TG2057		TOLE SUPPORT FRIGO	SHEET METAL HOLDER
TG3045		COTE PLEXI GAUCHE FRIGO ST	LEFT PLEXI SIDE
TG3046		COTE PLEXI DROIT FRIGO ST	RIGHT PLEXI SIDE
TG3048		DESSUS MODULE ST	TOP OF MODULE
TG3049		VERRIERE CHAUFFE TASSES	CUP RACK
TG3050		CHAUFFE TASSES	CUP WARMER
TG3051		CALANDRE	FRONT PANEL
TG3070		TOLE CORNIERE (A GAUCHE)	SHEET METAL CORNER (TO THE LEFT)
TG3071		TOLE CORNIERE (A DROITE)	SHEET METAL CORNER (TO THE RIGHT)
TG4018		ECROU FIXATION PIED	INSERT FIXING FOOT
TG4019		PIED REGLABLE	ADJUSTABLE FOOT
TG4025		PION DE FIXATION M4	FIXING PION M4

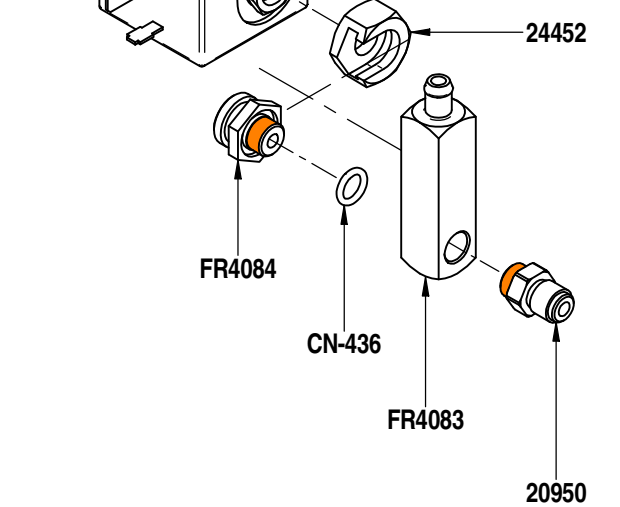
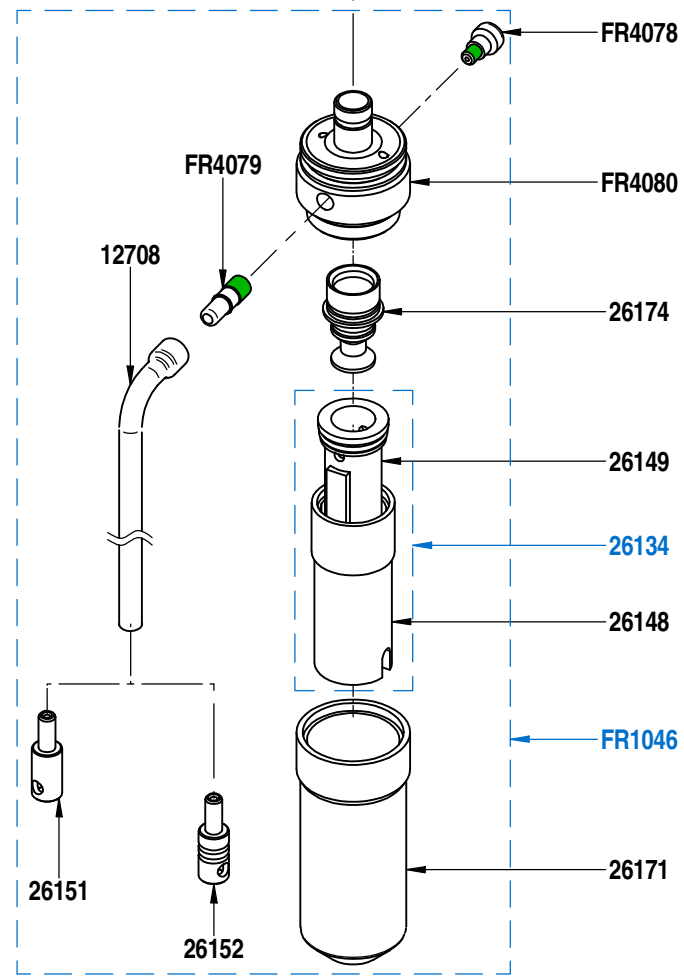
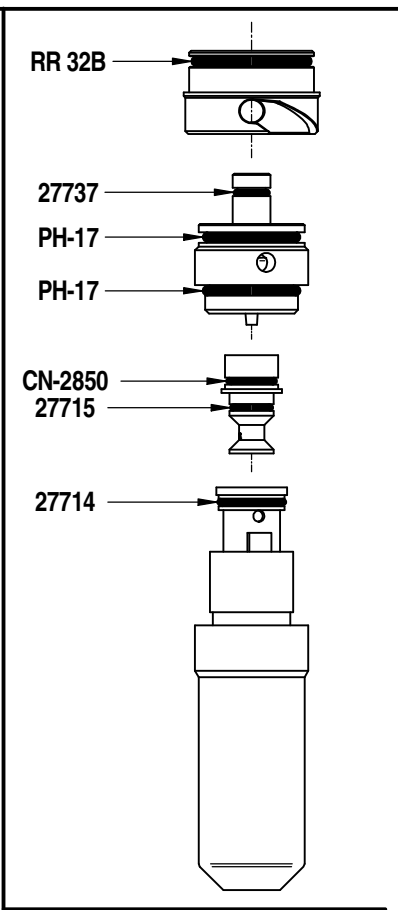
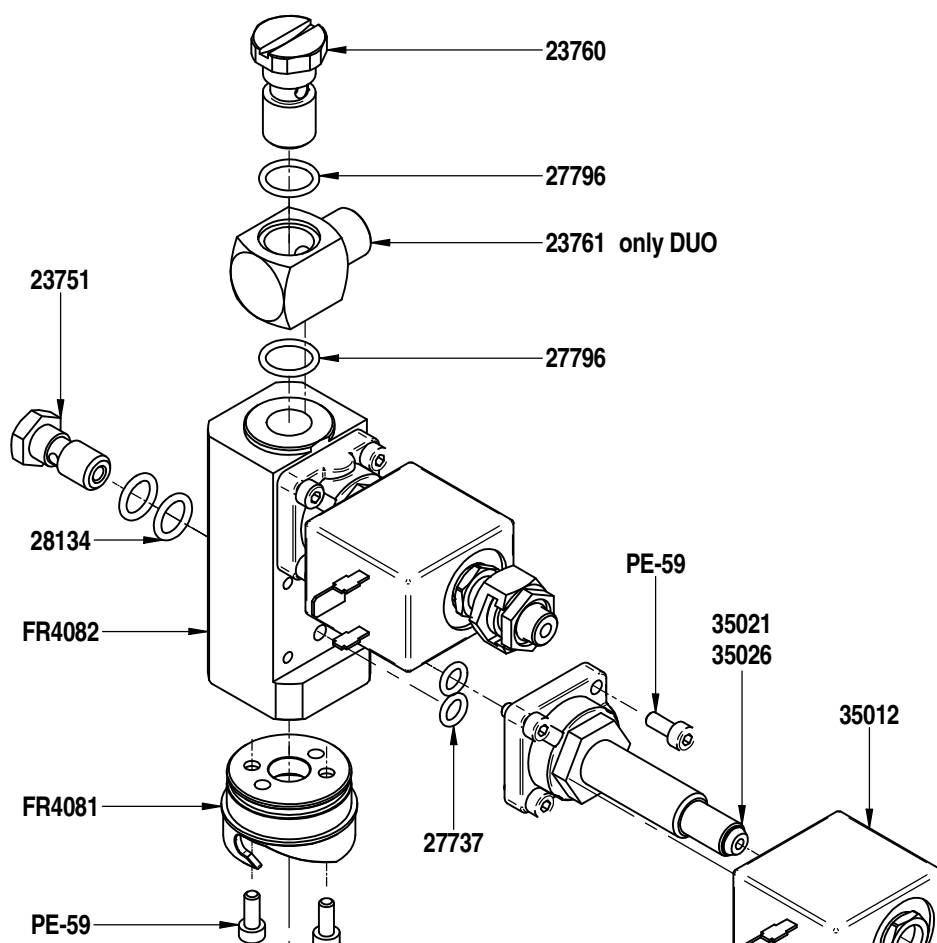
**Montage avant 09/2018 (version V1)**

**Mounting before 09/2018 (V1 version)**



## PLANCHE - PLATE 611

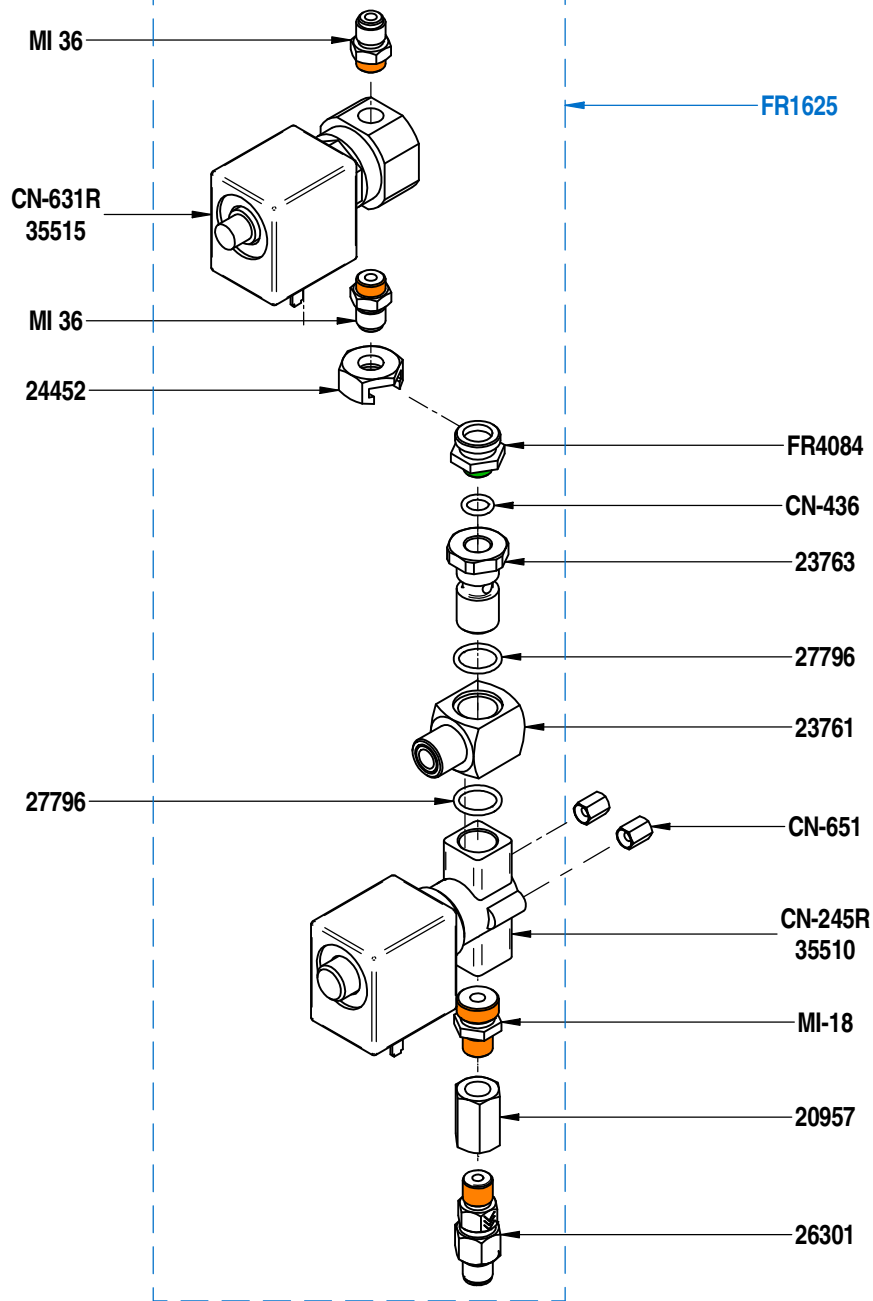
REF	ELUX	DESIGNATIONS FR	DESIGNATIONS GB
12708	0UN073	TUBE SILICONE CAPPUCCINATORE L	CAPPUCCINATORE SILICONE PIPE
20950		RACCORD 1/8 POUR GICLUEUR	FITTING 1/8 FOR GICLUER
23751	0UN088	AXE DE BANJO 1/8	BANJO SCREW
23760		AXE BANJO 1/4	BANJO SCREW 1/4
23761		CORPS DE BANJO 1/4	BANJO BODY 1/4
24452		ECROU 1/8F FENDU	NUT 1/8M
26134		CAPPUCCINO IDEA	CAPPUCCINATORE
26148		BRISE JET	ANTI PLASH PLUG
26149		MOUSSEUR	FROTHER
26151		REDUCTEUR CAPPUCCINATORE D1.7	CAPPUCCINATORE REDUCER D1.7
26152		REDUCTEUR CAPPUCCINATORE D2	CAPPUCCINATORE REDUCER D2
26171		BEC VERSEUR	SPOUT
26174		MELANGEUR	MIXER
27714		JOINT TORIQUE 1,78 X 15,6 SILICONE	GASKET 15.6 X 1,78
27715		JOINT TORIQUE 1,78X8,73 SILICONE	GASKET 8,73 X 1,78
27737	0UN085	JOINT TORIQUE 1,78 X 6,07 NEXUS	O RING 1.78 X 6,07
27796	0UN023	JOINT TORIQUE 1,78 X 12,42 NEXUS	O RING 1.78 X 12,42
28134	0UN019	JOINT TORIQUE 2X9,5 NEXUS	O RING 2X9,5
35012	0UN003	BOBINE 24V	SOLENOID COIL 24V
35021	0UN034	ELECTROVANNE 3 VOIES D3 SANS BOBINE	ELECTROVALVE 3W WITHOUT COIL
35026		ELECTROVANNE 3 VOIES D3 NSF SANS BOBINE	ELECTROVALVE 3W WITHOUT COIL NSF
CN-2850		JOINT TORIQUE 1,78X10,82	GASKET 10.82x1.78
CN-436		JOINT TORIQUE 1,78X8,73 EPDM	GASKET 8,73 X 1,78
FR1046	0UN132	ENSEMBLE LC	LC SET
FR4078		INJECTEUR AIR	GICLUER
FR4079		EMBOUT M6	SCREW M6
FR4080		CORPS CAPPUCCINO	BODY
FR4081		ENTRETOISE CAPPUCCINO	INTERFACE
FR4082		SUPPORT EV CAPPUCCINO	EV HOLDER
FR4083		NOURRICE NETTOYAGE	CLEANING FITTING
FR4084		RACCORD 1/8M SORTIE EV	CONNECTION 1/8M OUTPOUT EV
PE-59		VIS TCHC M4x10 INOX	SCREW 4 X 10
PH-17		JOINT TORIQUE 2,62X20,63 EPDM	GASKET 20,63 X 2,62
RR-32B		JOINT TORIQUE 2,62X26,64 EPDM	ROUND RING 26,64 x 2,62 - 75



■ Loctite 601  
■ Loctite 542

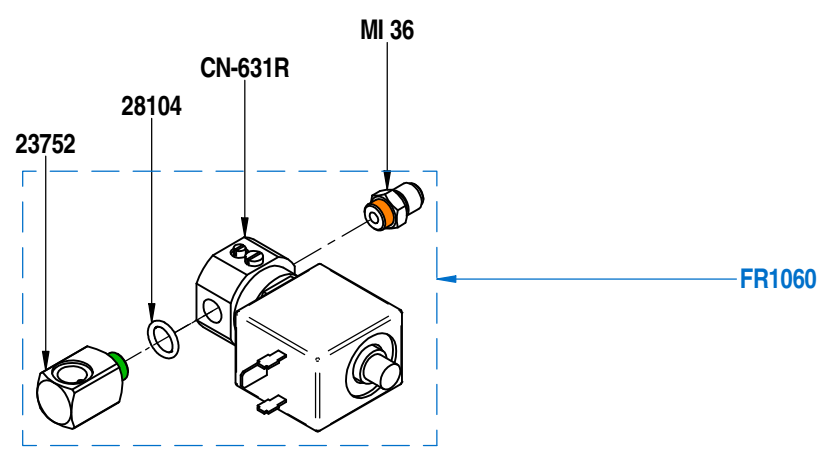
## PLANCHE - PLATE 612

<b>REF</b>	<b>ELUX</b>	<b>DESIGNATIONS FR</b>	<b>DESIGNATIONS GB</b>
20957		RACCORD DROIT 1/8G	<i>FITTING 1/8G</i>
23752		CORPS DE BANJO 1/8	<i>BANJO BODY FOR UNIT HEAD</i>
23761		CORPS DE BANJO 1/4	<i>BANJO BODY 1/4</i>
23763		AXE BANJO 1/4M - 1/8F	<i>BANJO SCREW 1/4M 1/8F</i>
24452		ECROU 1/8F FENDU	<i>NUT 1/8M</i>
26301	0UN030	CLAPET ANTI-RETOUR 1/8	<i>NO RETURN VALVE 1/8</i>
27796	0UN023	JOINT TORIQUE 1,78 X 12,42 NEXUS	<i>O RING 1.78 X 12,42</i>
28104	0UN146	JOINT TORIQUE 2X9,5 FKM 80SH	<i>GASKET 2X9,5</i>
35510		EV 2 VOIES 24V NSF	<i>ELECTROVALVE 2 WAYS 24V NSF</i>
35515		EV 2 VOIES 24V 50-60HZ NSF	<i>EV 2 WAYS 24V 50-60HZ NSF</i>
CN-245R		ELECTROVANNE 2V 24V-50/60Hz	<i>ELECTROVALVE 2W 24V-50/60Hz</i>
CN-436		JOINT TORIQUE 1,78X8,73 EPDM	<i>GASKET 8,73 X 1,78</i>
CN-631R		EV 2V REGL. 24V-50/60Hz	<i>ELECTROVALVE 2W ADJ. 24V-50/60Hz</i>
CN-651		ENTRETOISE COURTE DU C.I.	<i>SHORT SPACER FRAME</i>
FR1060		EV NETTOYAGE CAPPUCINO	<i>CAPPUCINO CLEANING ELECTROVALVE</i>
FR1625		BLOC NETTOYAGE CAFE-CAPPU SOLO	<i>CLEANING COFFEE-CAPPU BLOCK</i>
FR4084		RACCORD 1/8M SORTIE EV	<i>CONNECTION 1/8M OUTPUT EV</i>
MI-18		RACCORD MM 1/4 - 1/8 G	<i>FITTING - 1/8 x 1/4</i>
MI-36		RACCORD 1/8M 1/8M	<i>CONNECTION 1/8</i>



**SOLO & ACE**

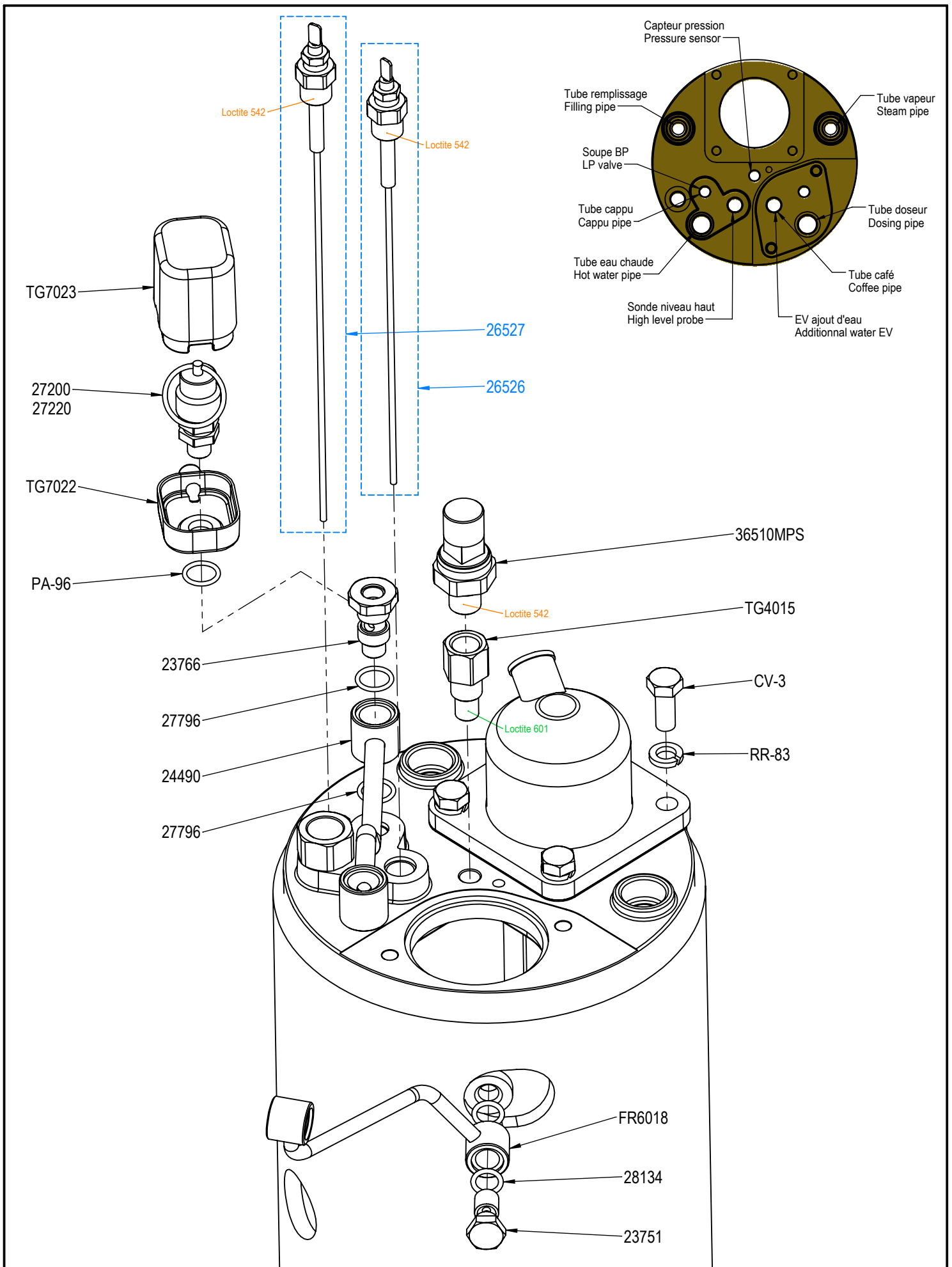
**DUO**



- Loctite 601
- Loctite 542

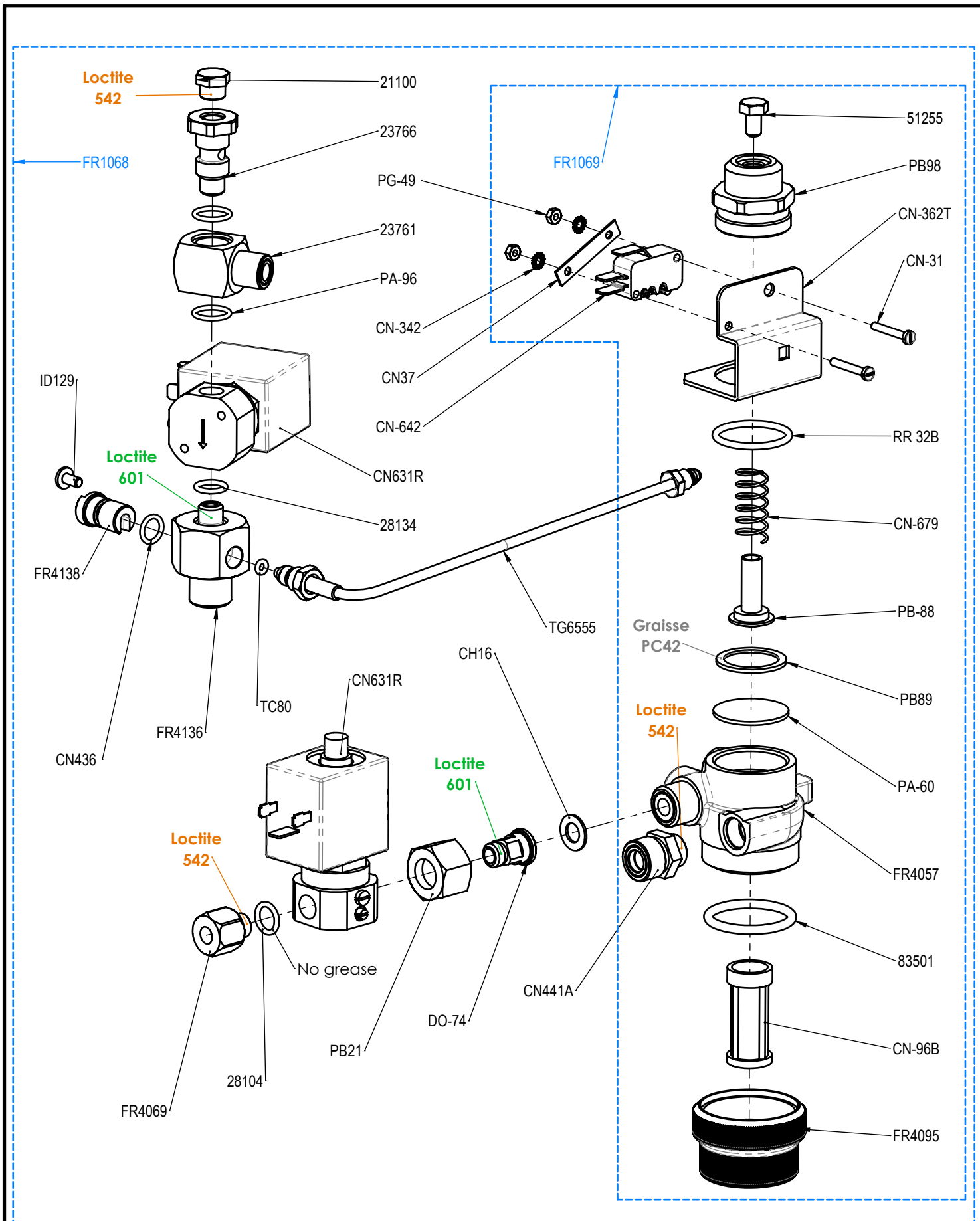
## PLANCHE - PLATE 613

<b>REF</b>	<b>ELUX</b>	<b>DESIGNATIONS FR</b>	<b>DESIGNATIONS GB</b>
23751	0UN088	AXE DE BANJO 1/8	BANJO SCREW
23766		AXE BANJO 1/4M - 1/8F	BANJO SCREW 1/4M 1/8F
26526		SONDE DE NIVEAU HAUT	HIGH LEVEL PROBE
26527		SONDE DE NIVEAU BAS	LOW LEVEL PROBE
27200		SOUPAPE VAPEUR BP 3,5 BARS	LP VALVE 3.5 BARS
27220		SOUPAPE VAPEUR BP 3,5 BARS NSF	LP VALVE 3.5 BARS NSF
27796	0UN023	JOINT TORIQUE 1,78 X 12,42 NEXUS	O RING 1.78 X 12,42
28134	0UN019	JOINT TORIQUE 2X9,5 NEXUS	O RING 2X9,5
36510MPS	0UN063	CAPTEUR DE PRESSION 0-16b SENSATA	0-16b PRESSURE SENSOR
CV-3		VIS TH M8 x 20 INOX	S.STEEL SCREW M8 x 20
FR6018		TUBE REGULATION CAPPUCCINO GAUCHE	LEFT CAPUCCINO REGULATION PIPE
FR6055		TUBE EV CAPPUCCINO	CAPPUCCINO EV PIPE
PA-96		JOINT TORIQUE 1,78X12,42 EPDM	GASKET 1.78 X 12.42
RR-83		RONDELLE GROVER DE 8	WASHER 8
TG4015		RACCORD CAPTEUR DE PRESSION	PRESSURE SENSOR FITTING
TG4078		SUPPORT SOUPAPE BP	LP VALVE HOLDER
TG7022		PROTECTION SOUPAPE	VALVE PROTECTION
TG7023		COUVERCLE PROTECTION SOUPAPE	COVER VALVE PROTECTION



## PLANCHE - PLATE 620

REF	ELUX	DESIGNATIONS FR	DESIGNATIONS GB
21100		BOUCHON 1/8	PLUG 1/8
23761		CORPS DE BANJO 1/4	BANJO BODY 1/4
23766		AXE BANJO 1/4M - 1/8F	BANJO SCREW 1/4M 1/8F
28104	0UN146	JOINT TORIQUE 2X9,5 FKM 80SH	GASKET 2X9,5
51255		VIS TH M6 X 10 INOX	S. STEEL SCREW M6 X 10
83501		JOINT TORIQUE 3,53 X 29,75	GASKET 3,53 X 29,75
CH-16		JOINT CUIVRE RECUIT 3/8	WASHER - COPPER - 3/8
CN-31		VIS TC M3 X 20 INOX	SCREW M3 X 20
CN-342		RONDELLE EVENTAIL 3	WASHER 3
CN-362T		SUPPORT TOLE POUR MINIRUPTEUR	MICROSWITCH HOLDER
CN-37		PATTE INOX FIXATION MINIRUPT.	MICROSWITCH HOLDING BAR
CN-436	0UN145	JOINT TORIQUE 1,78X8,73 EPDM	GASKET 8,73 X 1,78
CN-441A		RACCORD 1/4M-3/8M	FITTING 1/4 3/8
CN-631R	0UN029	EV 2V REGL. 24V-50/60Hz	ELECTROVALVE 2W ADJ. 24V-50/60Hz
CN-642	0UN035	MINIRUPTEUR F=300GR FLASHE OR	MICROSWITCH
CN-679		RESSORT SECU. EAU D13 P5 L30	SPRING
CN-96B		CARTOUCHE POUR FILTRE 80 MIC	FILTER CARTRIDGE 80 MICRONS
DO-74		RACCORD SOUPAPE HP	H.P VALVE CONNECTION
FR1068		KIT MITIGEUR EAU CHAUDE	MIXED HOT WATER KIT
FR1069		BLOC MITIGEUR EAU CHAUDE	MIXED HOT WATER BLOCK
FR4057		BLOC FILTRE EAU MITIGEE	MIXED WATER FILTER BODY
FR4069		RACCORD 1/8M M8 X 100	FITTING 1/8M M8 X 100
FR4095		CUVE FILTRE LAITON	BRASS WATER SAFETY DISK
FR4136		RACCORD SORTIE EAU MITIGEE	MIXED WATER FITTING
FR4138		BOUCHON MELANGEUR	MIXER CAP
ID-129		VIS INOX POELIER VM 4 X 8	SCREW 4 X 8
PA-60		MEMBRANE D30	MEMBRANE D30
PA-96		JOINT TORIQUE 1,78X12,42 EPDM	GASKET 1.78 X 12.42
PB-21		ECROU 3/8 LAITON	FITTING 3/8
PB-88		PISTON	PISTON
PB-89		RONDELLE POUR MEMBRANE	TIGHTENING WASHER
PB-98		EMBOUT	FITTING
PG-49		ECROU INOX Hu DE 3	NUT M3
TC-80		JOINT TORIQUE 1,78X2,90 FKM	GASKET 1.78X2.90 FKM
TG6555		TUBE PTFE D:4 L:800mm	PTFE PIPE D:4 L:800mm
FR8052 *		CABLE EV EAU MITIGEE	MIXED WATER EV CABLE

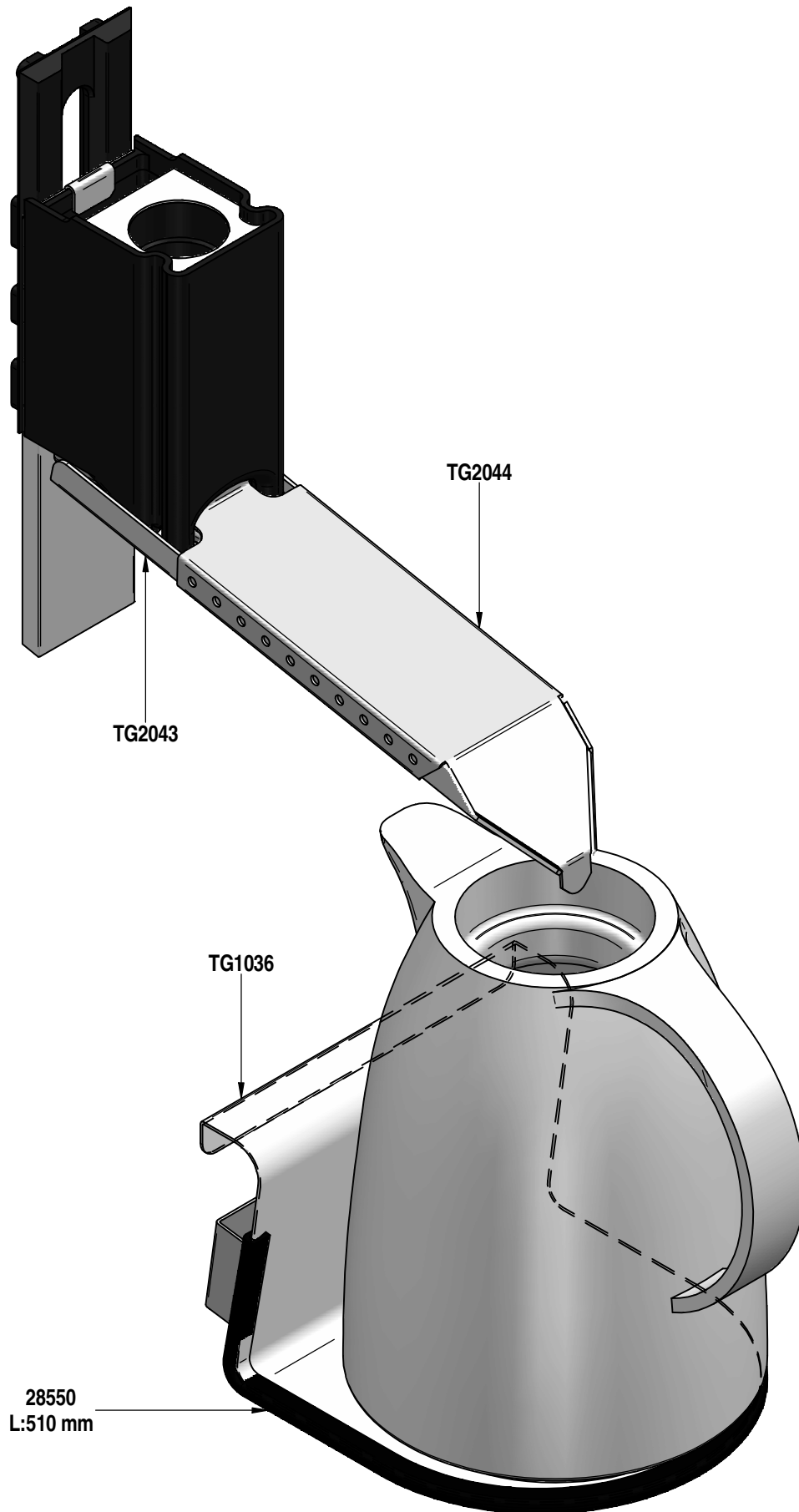


**Tous les joints sont graissés (graisse silicone 8104)**

*All joints are greased (silicone grease 8104)*

## PLANCHE - PLATE 630

<b>REF</b>	<b>ELUX</b>	<b>DESIGNATIONS FR</b>	<b>DESIGNATIONS GB</b>
28850		PROFILE CAOUTCHOUC U	GASKET
TG1036		SUPPORT POT	JAR HOLDER
TG2043		BEC DEPORTE	SPOUT DEPORTED
TG2044		DESSUS BEC DEPORTE	TOP OF SPOUT



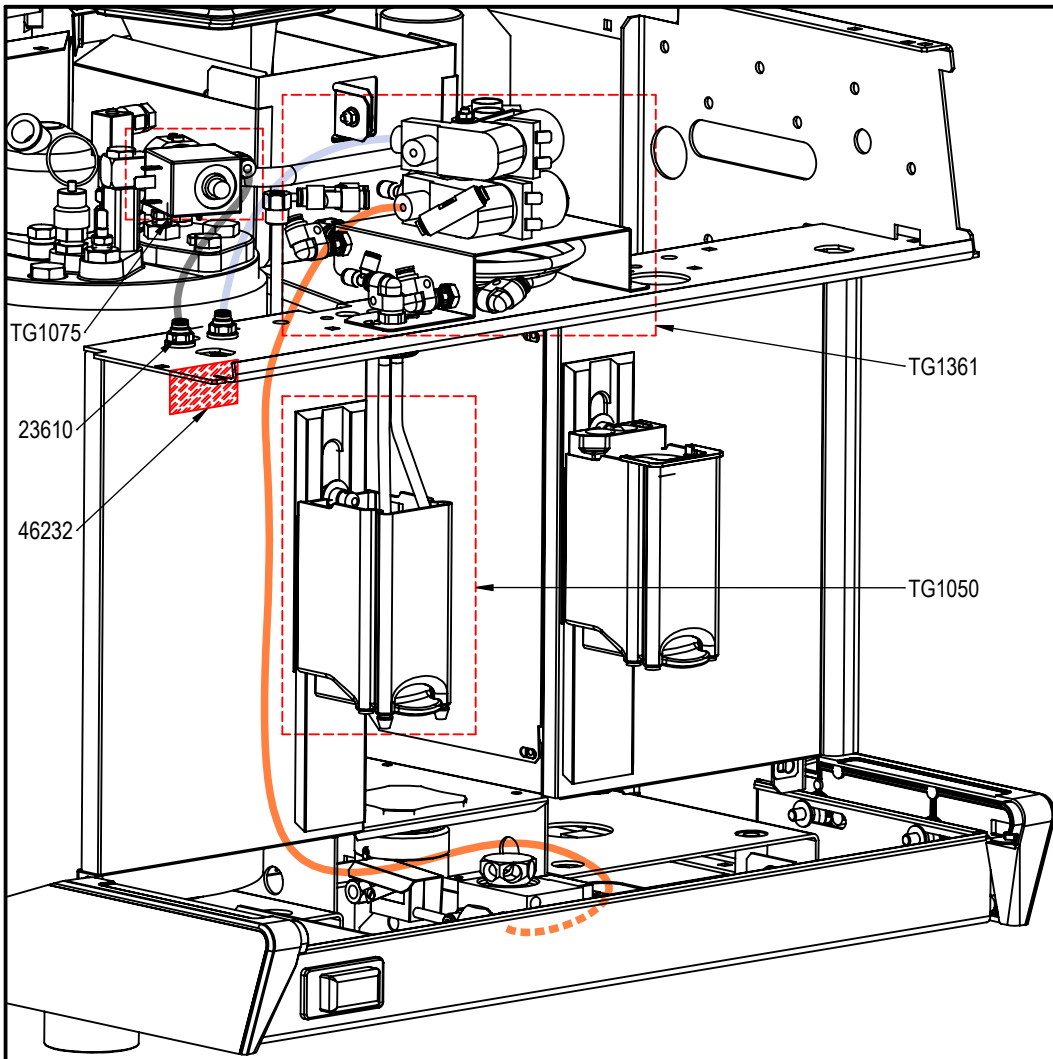
## PLANCHE - PLATE 640

<b>REF</b>	<b>ELUX</b>	<b>DESIGNATIONS FR</b>	<b>DESIGNATIONS GB</b>
23610	0UN046	RACCORD RAPIDE DROIT PASSE CLOISON	QUICK FITTING BULKHEAD
46232		AUTOCOLLANT REPERAGE COULEUR TUBE	STICKER FOR PIPE COLOR
TG1050	0UN051	BEC A CAFE 2 TASSES COMPLET POMPE LAIT	SPOUT COFFEE FOR PUMP MILK
TG1075		EV NETTOYAGE POMPE LAIT	CLEANING ELECTROVALVE PUMP MILK
TG1076		EV NETTOYAGES POMPE LAIT & CAFE	CLEANING ELECTROVALVES PUMP MILK & COFFEE
TG1361		BLOC LAIT MACHINE (V2)	BLOCK MILK FOR MACHINE

**Montage après 09/2018 (version V2)**

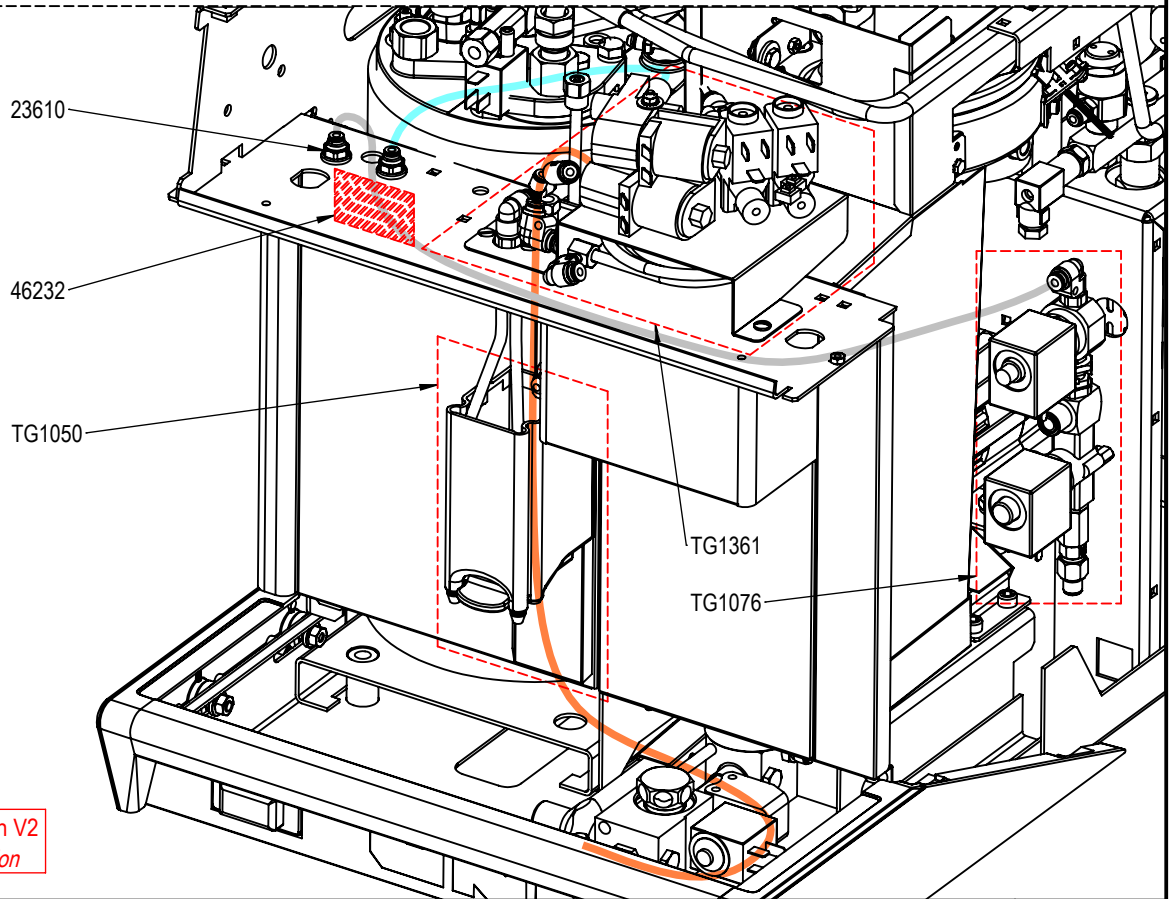
**Mounting after 09/2018 (V2 version)**

DUO



Montage après 09/2018 version V2  
Mounting after 09/2018 V2 version

SOLO



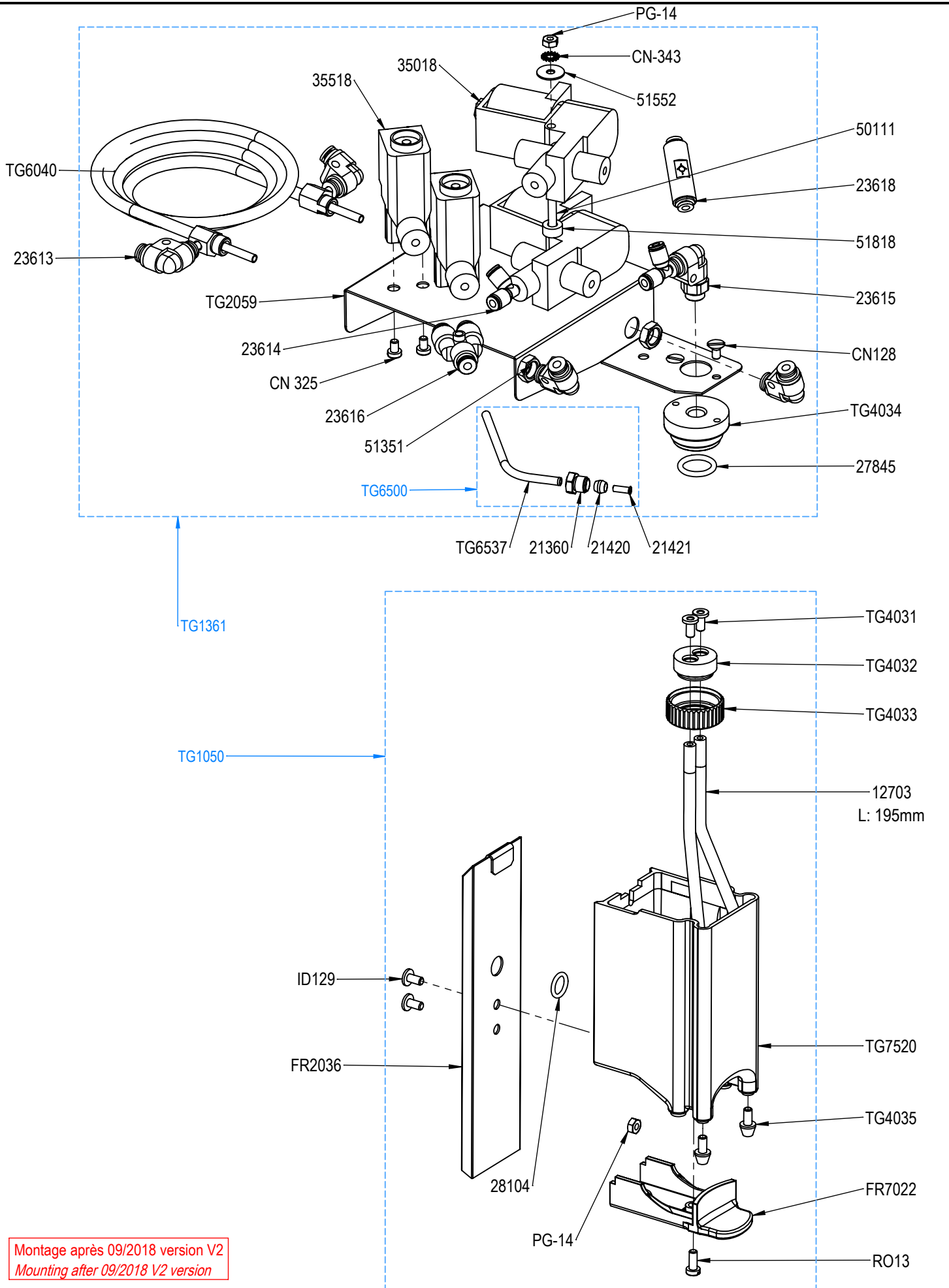
Montage après 09/2018 version V2  
Mounting after 09/2018 V2 version

## PLANCHE - PLATE 641

REF	ELUX	DESIGNATIONS FR	DESIGNATIONS GB
12703		TUBE SILICONE TRANSLUCIDE 3X6	SILICONE PIPE 3X6
21360		ECROU M8 X 100	NUT M8 X 100
21420		BICONE DIA:4.5	NIPPLE DIA:4.5
21421		INSERT DIA:2.6	SLEEVE DIA:2.6
23613	0UN047	RACCORD RAPIDE COUDE 2V D:4 F-F	ELBOW QUICK FITTING 2W D:4 F-F
23614	0UN049	RACCORD RAPIDE T 3V D:4 M-F-F	QUICK FITTING T 3W D:4 M-F-F
23615	0UN120	RACCORD RAPIDE COUDE D:4 F-1/8G	ELBOW QUICK FITTING D:4 F-1/8G
23616	0UN048	RACCORD RAPIDE Y D:4 F-F-F	QUICK FITTING Y D:4 F-F-F
23618	0UN107	CLAPET ANTI-RETOUR D:4 F-F	NON RETURN VALVE D:4 F-F
27845	0UN144	JOINT TORIQUE 2.62 X 17.13	O-RING 2.62 X 17.13
28104	0UN146	JOINT TORIQUE 2X9,5 FKM 80SH	GASKET 2X9,5
35018	0UN071	ELECTROVANNE 3V D4F 24V-DC	ELECTROVALVE 3W 24V-DC D4F
35518	0UN127	ELECTROVANNE 2V D4F 24V-DC	ELECTROVALVE 2W 24V-DC D4F
50111		VIS Chc M4 X 70	SCREW M4 X 70
51351		ECROU 1/8	NUT 1/8
51552		RONDELLE INOX 4.25x14x0.8	S..STEEL WASHER 4.25x14x0.8
51818		ENTRETOISE	SPACER
CN-128		VIS INOX TF M4 X 8	SCREW M4 X 8
CN-325		VIS INOX TC 4 x 6	SCREW M4 X 6
CN-343		RONDELLE EVENTAIL 4	WASHER 4
FR2036		TOLE PLAQUE GUIDE	PLATE SHEET
FR7022		LANGUETTE BEC	SPOUT HANDING
ID-129		VIS INOX POELIER VM 4 X 8	SCREW 4 X 8
PG-14		ECROU M4	NUT M4
RO-13		VIS INOX TC 4 x 10	SCREW M4 X 10 -
TG1050	0UN051	BEC A CAFE 2 TASSES COMPLET POMPE LAIT	SPOUT COFFEE FOR PUMP MILK
TG1361		BLOC LAIT MACHINE (V2)	BLOCK MILK FOR MACHINE
TG2059		TOLE SUPPORT BLOC LAIT	SHEET METAL FOR BLOCK MILK
TG4031		DOUILLE TUBE LAIT	MILK TUBE TIP
TG4032		MANCHON BI V	BI V MUFF
TG4033		BAGUE ECROU	NUT RING
TG4034		REPARTITEUR 2T POMPE LAIT	PUMP MILK DISPATCHER
TG4035		DOUILLE TUBE LAIT SORTIE BEC	MILK OUTLET SOCKET
TG6040		TUBE SERPENTIN VAPEUR INOX	HEATING COIL PIPE FOR STEAM
TG6500		TUBE PTFE L:150mm	PTFE PIPE L:150mm
TG6537		TUBE PTFE D:4 L:150mm	PTFE PIPE D:4 L:150mm
TG7520		BEC CAFE (USINÉ)	COFFEE SPOUT (MACHINED)

**Montage après 09/2018 (version V2)**

**Mounting after 09/2018 (V2 version)**



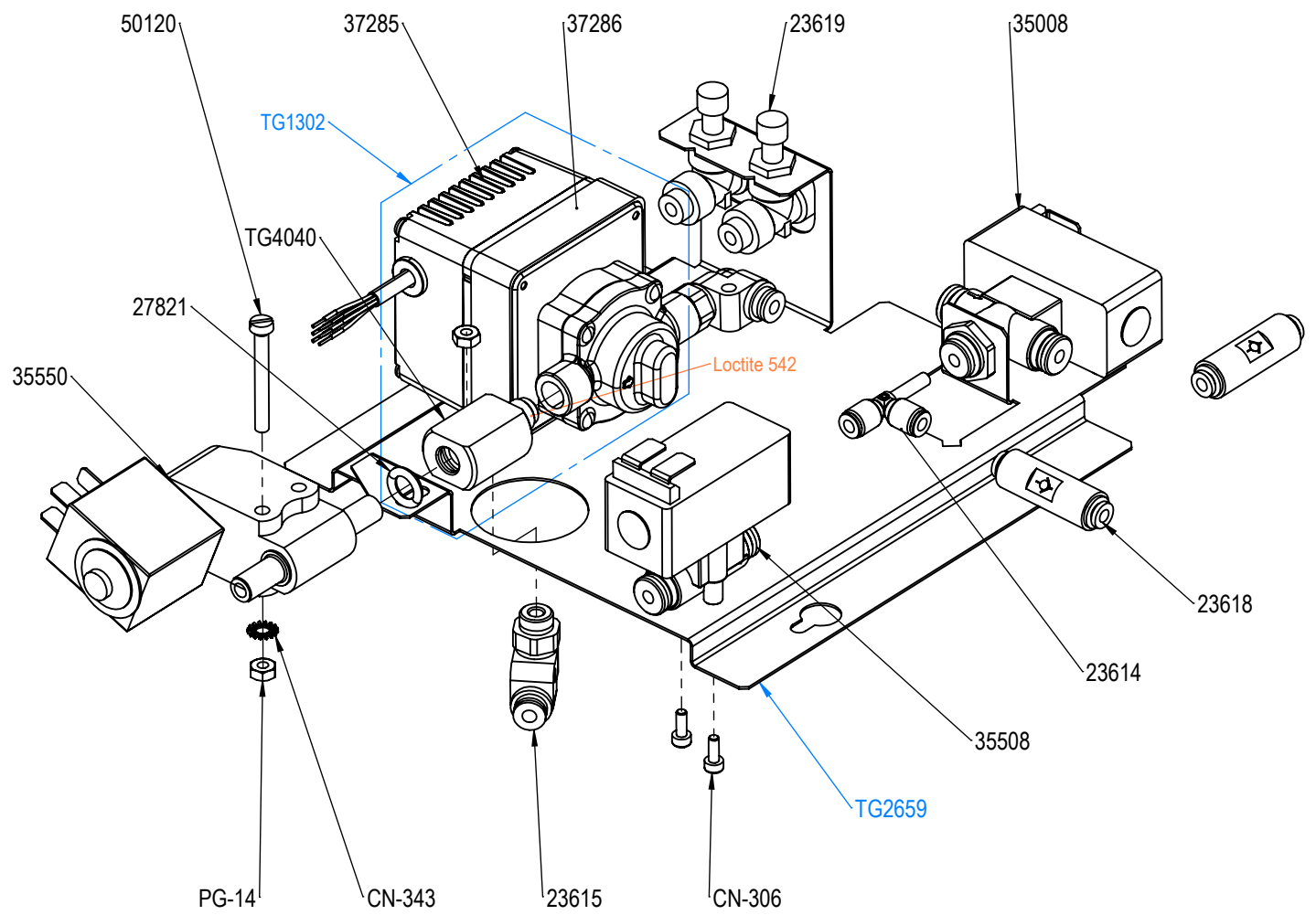
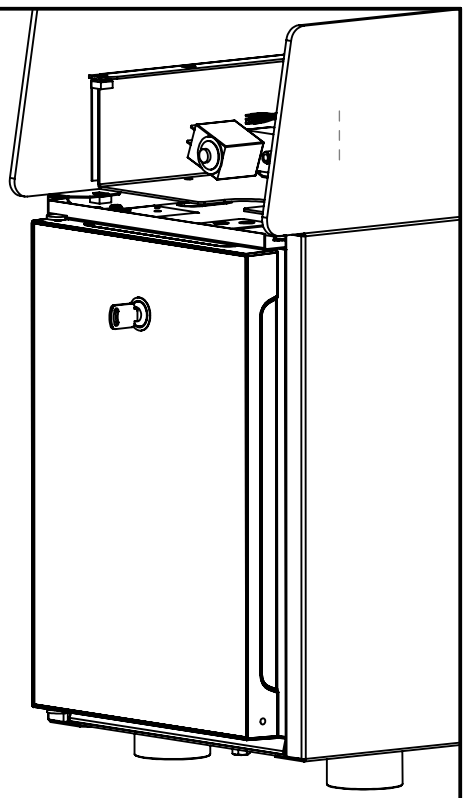
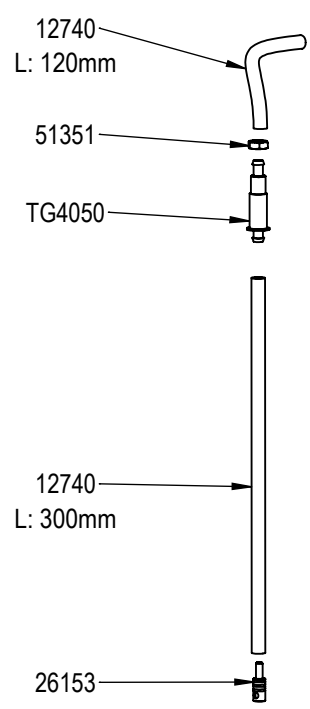
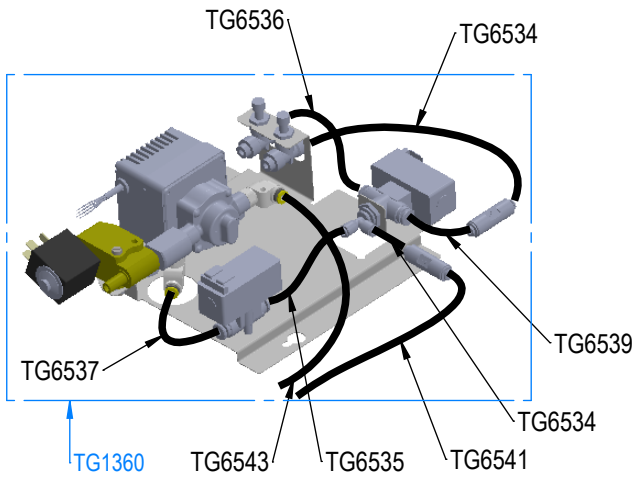
Montage après 09/2018 version V2  
 Mounting after 09/2018 V2 version

## PLANCHE - PLATE 642

REF	ELUX	DESIGNATIONS FR	DESIGNATIONS GB
12740	0UN137	TUBE SILICONE 5 X 9	SILICONE PIPE 5 X 9
23614	0UN049	RACCORD RAPIDE T 3V D:4 M-F-F	QUICK FITTING T 3W D:4 M-F-F
23615	0UN120	RACCORD RAPIDE COUDE D:4 F-1/8G	ELBOW QUICK FITTING D:4 F-1/8G
23618	0UN107	CLAPET ANTI-RETOUR D:4 F-F	NON RETURN VALVE D:4 F-F
23619	0UN044	REGLAGE AIR MICROMETRIQUE C/F D:4 F-F	SETTING AIR HOT/COLD D:4 F-F
26153	0UN078	REDUCTEUR CAPPUCCINATORE D2.5	CAPPUCCINATORE REDUCER D2.5
27821		JOINT TORIQUE 2,62 X 7,59	O-RING 2,62 X 7,59
35008	0UN060	EV 24V DC D4FFF	3 WAY ELECTROVALVE Ø4F 24VDC
35508	0UN061	EV 24V DC D4FF	3 WAY ELECTROVALVE Ø4F 24VDC
35550	0UN022	ELECTROVANNE N.O 24V 50HZ	ELECTROVALVE N.O 24V 50HZ
37285	0UN074	MOTEUR POMPE 24V AVEC CABLE	PUMP MOTOR 24V
37286		ENSEMBLE FIXATION POUR POMPE 24V	FIXING SET FOR 24V PUMP
50120		VIS TC M4X35 INOX	S.STEEL SCREW M4X35
51351		ECROU 1/8	NUT 1/8
52302		VIS A SERTIR M4 x 18	SCREW M4 x 18
CN-306		VIS INOX TCHC 3 x 8	SCREW M3 X 8
CN-343		RONDELLE EVENTAIL 4	WASHER 4
PG-14		ECROU M4	NUT M4
TG1302		KIT POMPE LAIT AVEC RACCORD	KIT MILK PUMP WITH FITTING
TG1360		BLOC LAIT MODULE ST (V2)	BLOCK MILK MODULE ST
TG2659		SUPPORT CIRCUIT LAIT + GOUJON	MILK CIRCUIT HOLDER + SCREW
TG4040		GUIDE TUBE BEC	PIPE GUIDE
TG4050		PASSE CLOISON	BULKHEAD
TG6534		TUBE PTFE D:4 L:100mm	PTFE PIPE D:4 L:100mm
TG6535		TUBE PTFE D:4 L:110mm	PTFE PIPE D:4 L:110mm
TG6536		TUBE PTFE D:4 L:120mm	PTFE PIPE D:4 L:120mm
TG6537		TUBE PTFE D:4 L:150mm	PTFE PIPE D:4 L:150mm
TG6539		TUBE PTFE D:4 L:250mm	PTFE PIPE D:4 L:250mm
TG6541		TUBE PTFE D:4 L:400mm	PTFE PIPE D:4 L:400mm
TG6543		TUBE PTFE D:4 L:450mm	PTFE PIPE D:4 L:450mm

Montage après 09/2018 (version V2)

Mounting after 09/2018 (V2 version)



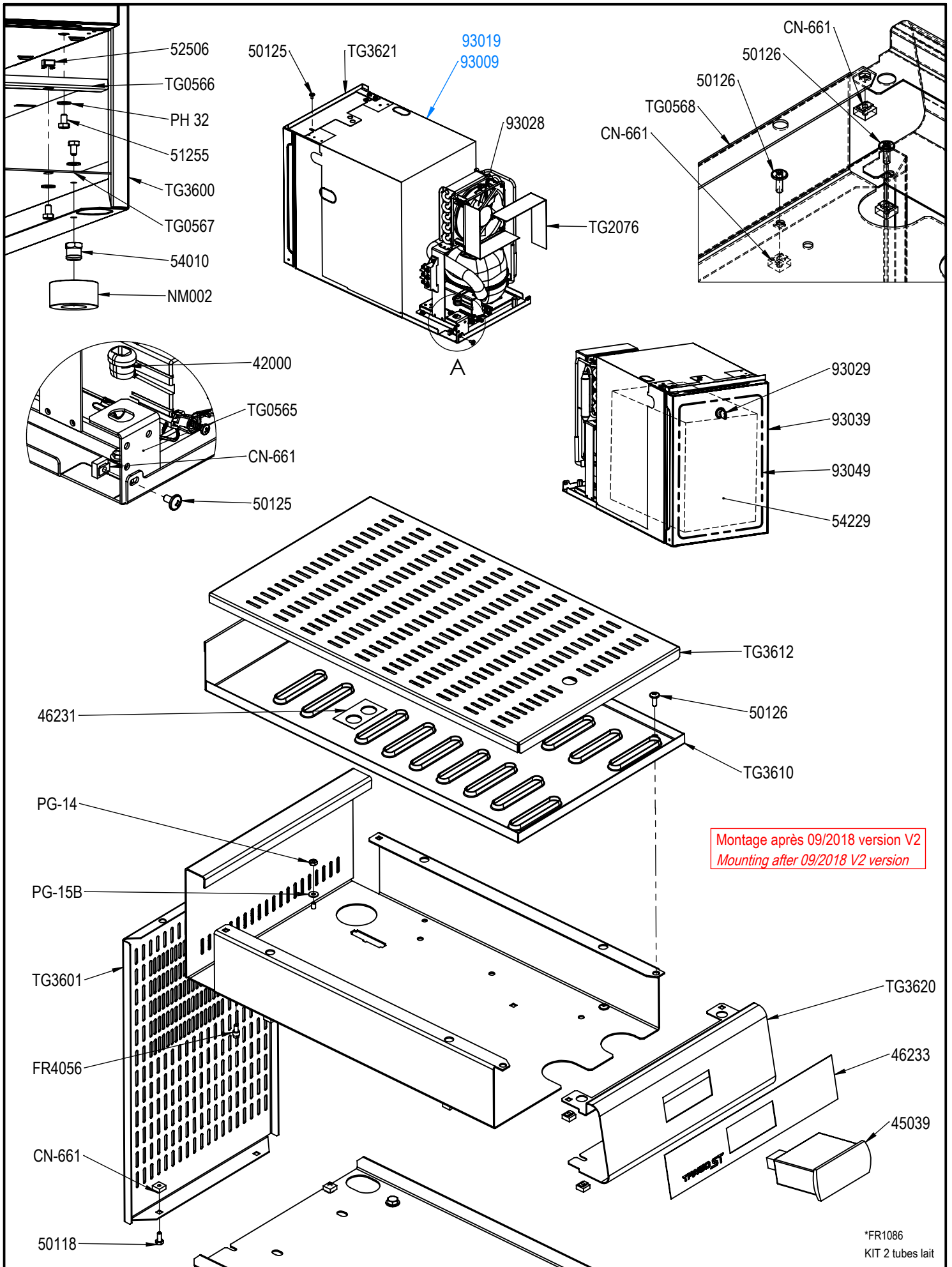
Montage après 09/2018 version V2  
 Mounting after 09/2018 V2 version

## PLANCHE - PLATE 643

<b>REF</b>	<b>ELUX</b>	<b>DESIGNATIONS FR</b>	<b>DESIGNATIONS GB</b>
42000		SERRE CABLE D:9 HEYCO	CABLE CLAMP
45039		BOITIER DE CONTRÔLE LED RGB	ELECTONIC BOX FOR LED RGB
46231		STICKER AIR ADJUSTMENT	STICKER AIR ADJUSTMENT
46233		STICKER CALANDRE MODULE	FRONT PANEL STICKER
50118		VIS TH M4X10 INOX	S.STEEL SCREW M4X10
50125		VIS TB CRUCIFORME A EMBASE M4 x 8	CRUCIFORM SCREW M4 x 8
50126		VIS TB CRUCIFORME A EMBASE M4 x 12	CRUCIFORM SCREW M4 x 12
51255		VIS TH M6 X 10 INOX	S. STEEL SCREW M6 X 10
52506		ECROU CAGE M6 X ep 1	INSERT NUT M6
54010		ECROU FIXATION PIED DIAM 50	SPECIAL NUT FOR FOOT
54229		BAC A LAIT 9L + COUVERCLE	9 LITERS MILK CONTAINER
93009		FRIGO VITRIFRIGO 9 LITRES 220-240V	VITRIFRIGO 9 LITERS 220-240V
93019		FRIGO VITRIFRIGO 9 LITRES 115V	VITRIFRIGO 9 LITERS 115V
93028		VENTILATEUR POUR FRIGO	FAN FOR FRIDGE
93029		SERRURE ET 2 CLES	LOCK WITH 2 KEYS
93049		JOINT DE PORTE FG16	SEAL DOOR
CN-661		ECROU CAGE M4, EP 1/1.6	INSERT NUT M4
FR1086		KIT 2 TUBES LAIT (DROIT & GAUCHE)	KIT 2 PIPES FOR MILK (RIGHT & LEFT)
FR4056		VIS SPECIAL COTE	SIDE SCREW
NM-002		PIED CAOUTCHOUC NOIR	FOOT
PG-14		ECROU M4	NUT M4
PG-15B		RONDELLE INOX 4.2X10X0.8	WASHER
PH-32		RONDELLE ACIER Zn 6,25x14x1,2	WASHER
TG0565		SUPPORT CONNECTIQUE	CONNECTORS HOLDER
TG0566		SUPPORT FG16	FRIDGE HOLDER
TG0567		CHASSIS INFERIEUR FG16	LOWER CHASSIS
TG0568		CHASSIS SUPERIEUR FG16	HIGH CHASSIS
TG2076		TOLE CONDUIT VENTILATEUR	SHEET METAL FOR FAN
TG3600		COTE D&G FG16	RIGHT & LEFT SIDE
TG3601		HABILLAGE ARRIERE FG16	REAR CASING
TG3610		CHAUFFE TASSES FG16	CUP WARMER
TG3612		VERRIERE FG16	CUP RACK
TG3620		CALANDRE FG16	FRONT PANEL
TG3621		CORNIERE FG16	SHEET METAL CORNER

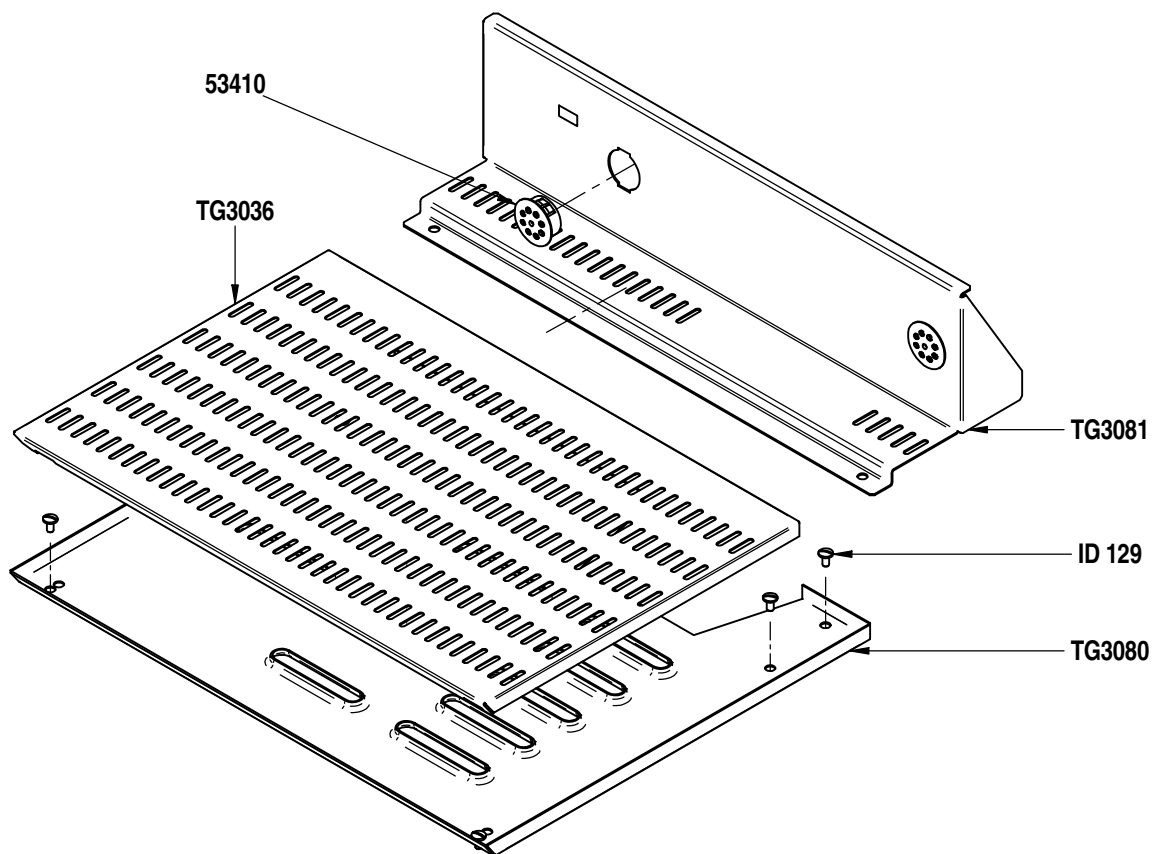
**Montage après 09/2018 (version V2)**

**Mounting after 09/2018 (V2 version)**



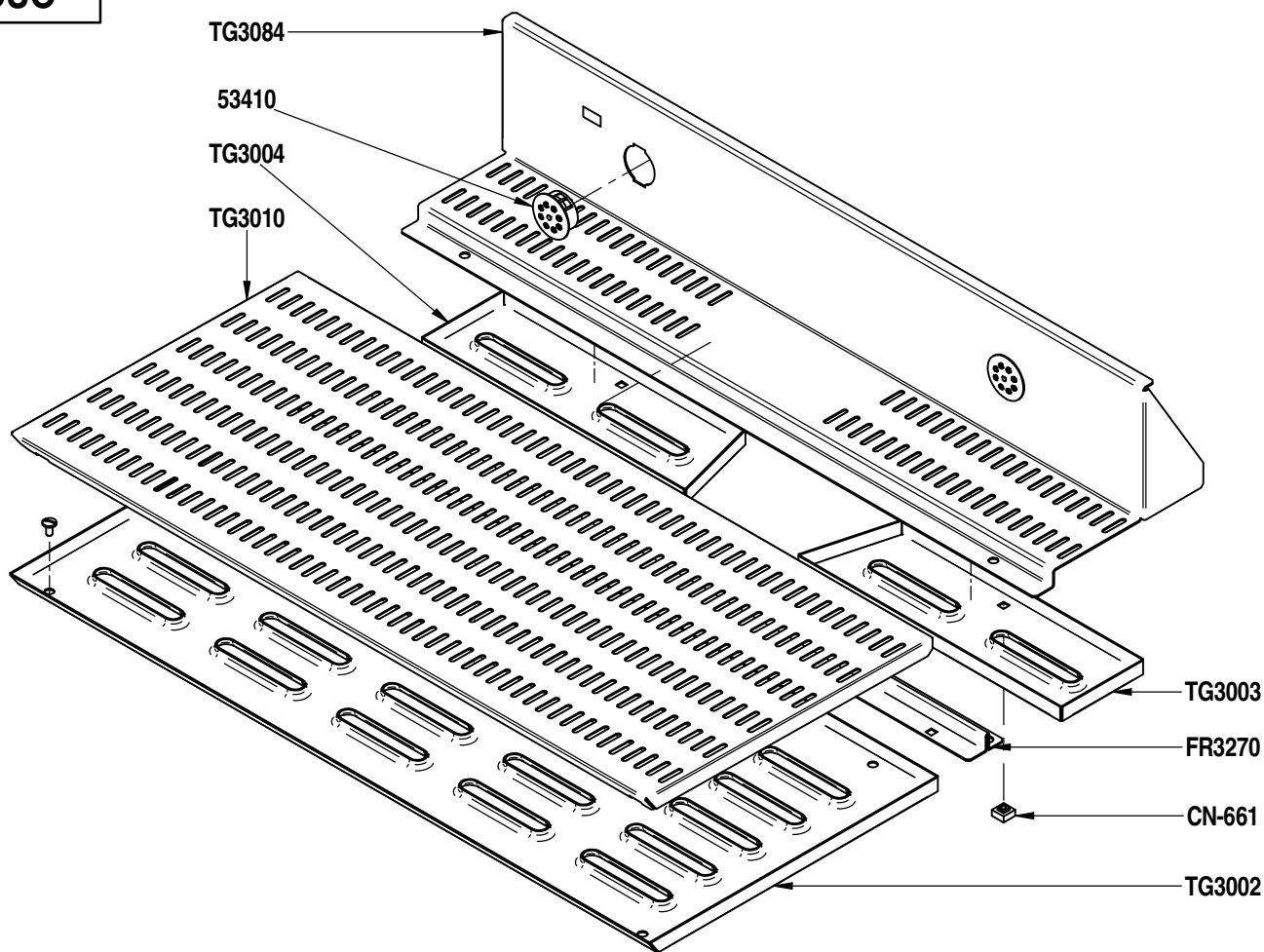
## PLANCHE - PLATE 650

<b>REF</b>	<b>ELUX</b>	<b>DESIGNATIONS FR</b>	<b>DESIGNATIONS GB</b>
53410		BOUCHON MOULIN DIA:25	<i>PLUG GRINDER</i>
CN-661		ECROU CAGE M4, EP 1/1.6	<i>INSERT NUT M4</i>
FR3270		TRAVERSE CHAUFFE TASSES	<i>CUP WARMER CROSS PIECE</i>
ID-129		VIS INOX POELIER VM 4 X 8	<i>SCREW 4 X 8</i>
TG3002		CHAUFFE TASSES AV DUO	<i>DUO FRONT CUP WARMER</i>
TG3003		CHAUFFE TASSES AR DROIT	<i>RIGHT BACK CUP WARMER</i>
TG3004		CHAUFFE TASSES AR GAUCHE	<i>LEFT BACK CUP WARMER</i>
TG3010		VERRIERE CHAUFFE TASSES AV	<i>FRONT CUP RACK</i>
TG3036		VERRIERE CHAUFFE TASSES SANS BOITE DK	<i>CUP RACK WITHOUT DK BOX</i>
TG3080		CHAUFFE TASSES AVANT SOLO ST	<i>CUP WARMER FOR SOLO ST</i>
TG3081		PAROI CHAUFFE TASSES SOLO ST SS BOITE DK	<i>CUP WARMER SHEET WITHOUT DK BOX</i>
TG3084		PAROI CHAUFFE TASSES DUO ST SS BOITE DK	<i>CUP WARMER SHEET WITHOUT DK BOX</i>



**SOLO**

**DUO**



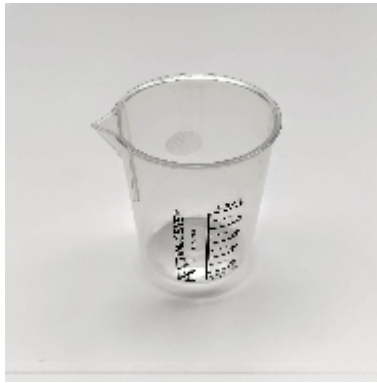
## PLANCHE - PLATE 690

<b>REF</b>	<b>ELUX</b>	<b>DESIGNATIONS FR</b>	<b>DESIGNATIONS GB</b>
12745		TUYAU TRANSMETAL D 16 X 22.2	<i>PIPE D16 X 22.2</i>
20710		RACCORD MF REDUIT M 3/8- F1/2	<i>FITTING M 3/8- F1/2</i>
25310		TUBE FLEXIBLE C3/8 -F3/8	<i>FLEXIBLE PIPE</i>
54212		PICHET 2000 ML gradué, en polypropylène	<i>JUG 2000 ML gradual, in polypropylene</i>
92027	0UN125	DETERGENT LIQUID ACID - LAIT 1000 ML	<i>LIQUID DETERGENT ACID - MILK 1000ML</i>
92060	0UN075	PASTILLES MACH. AUTOM. / 120 T	<i>12-U45-UN120-12 - UNIC Cleaning Tab</i>
CH-16		JOINT CUIVRE RECUIT 3/8	<i>WASHER - COPPER - 3/8</i>
CN-1105		COLLIER DE SERRAGE 24 X 36	<i>CLAMP COLLAR 24 X 36</i>



## PLANCHE - PLATE 691

<b>REF</b>	<b>ELUX</b>	<b>DESIGNATIONS FR</b>	<b>DESIGNATIONS GB</b>
53430		PROTECTEUR GPN 290/14	290/14 GPN PROTECTOR
53431		PROTECTEUR GPN 290/16	290/16 GPN PROTECTOR
54260		VERRE DOSEUR GRADUE 100ML	100ML GRADUED GLASS
92017		BROSSE POUR NETTOYAGE GROUPE	BRUSH FOR CLEANING GROUP
92018		CLE A PIPE 8MM	8MM SOCKET WRENCH
FR0102		OUTIL DE MONTAGE DOUILLES	TOOL FOR MOUNTING SLEEVES
FR0104	0UN026	KIT RECUPERATION DOSE CAFE MOULU	COFFEE DOSE RECOVERY KIT
FR0110	0UN135	OUTIL CHASSE DOUILLES	TOOL FOR DRIVING OUT SLEEVES
FR0115		OUTIL EXTRACTION CHEMISE	TOOL FOR INFUSION CHAMBER EXTRACTION
FR0125		OUTIL SECURITE TIROIR MAINTENANCE	TOOL FOR SECURITY DRAWER
OU003	0UN070	CABLE LED GROUPE	LED UNIT CABLE



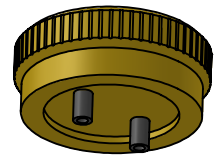
54260



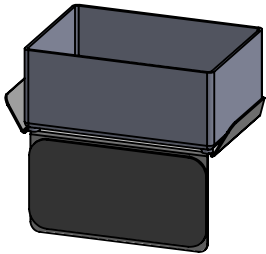
92017



FR0125



OU003



FR0104



92018



FR0115



53430

53431



FR0102



FR0110